

Please read and save these instructions. Read through this owner's manual carefully before using product. Protect yourself and others by observing all safety information, warnings, and cautions. Failure to comply with instructions could result in personal injury and/or damage to product or property. Please retain instructions for future reference.



ROLLING CABINET

Description

The Westward rolling cabinet has a durable black finish and strong load capacity. The cabinet is equipped with full extension ball bearing slides, ensuring smooth functionality of all drawers. Each drawer can hold up to 66 lbs(30kg). Also outfit with multi-functional tray, 20mm MDF work top covering with galvanized sheet, perforated pegboard for holding the parts, character the light fixture, power tap for convenient work. The cabinet is ideal for mechanics, craftsmen, repairmen and garage owners interested in storing and organizing tools and parts.

Unpacking

When unpacking, please ensure the unit is upright. Do not use any sharp objects to open the packaging.

After unpacking unit, inspect carefully for any damage that may have occurred during transit. Check for loose, missing, or damaged parts. Any shipping damage claim must be filed with the carrier.



Specifications and Dimensions

Model	Casters	No. of Drawers	Steel Body Dimensions (Inches)		
			Width	Depth	Height
31CE52	4"×2"PP CASTERS	5	26.69"(678MM)	18.07"(459MM)	33.82"(859MM)

General Safety Information

▲ CAUTION

Ensure the drawers are closed and locked completely before moving the cabinet.

Handle and swivel casters must be attached on the same side of the product.

Keep the product on level surfaces. The product may become unstable and tip if stored or moved on an un-level surface, which may cause personal injury or product damage.

▲ WARNING

Do not alter the product in any manner. Do not step or climb on the cabinet.

Do not open more than one drawer at the same time. The cabinet may become unstable and tip.

Please ensure the cabinet is locked prior to moving.

Please ensure the same power during the connection between the extension and the original cord of the power tap.

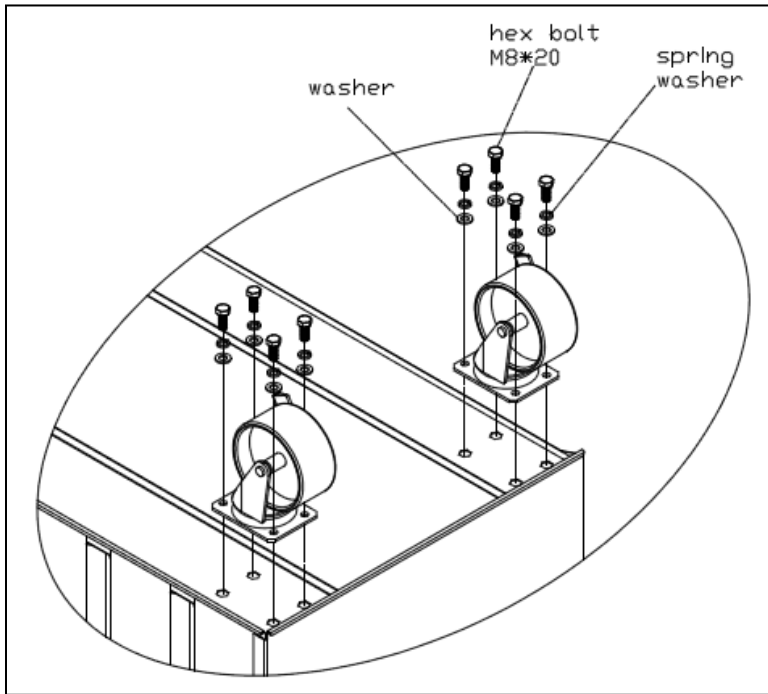
Maintenance

Lubricate the lock with graphite annually. Lubricate the ball bearing slides with grease twice annually. The casters do not require lubrication.

WESTWARD Rolling Cabinet

Assembly

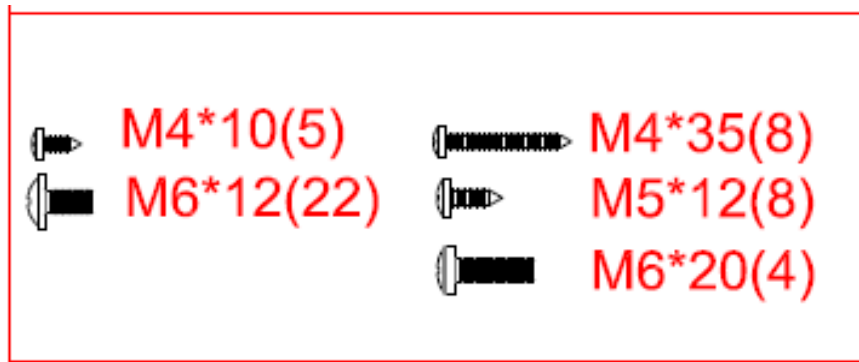
CASTER ASSEMBLY



1. Place the cabinet wheels up on a flat surface. Protect the paint by placing the packaging down first.
2. Insert the bolt into the spring washer, then the washer. Attach the caster to the mounting plate. Mount both swivel casters on the same side of the cabinet as the side handle.
3. Tighten all bolts by hand until the cart is assembled. Then, tighten the bolts using a wrench until you feel resistance. Do not over tighten.

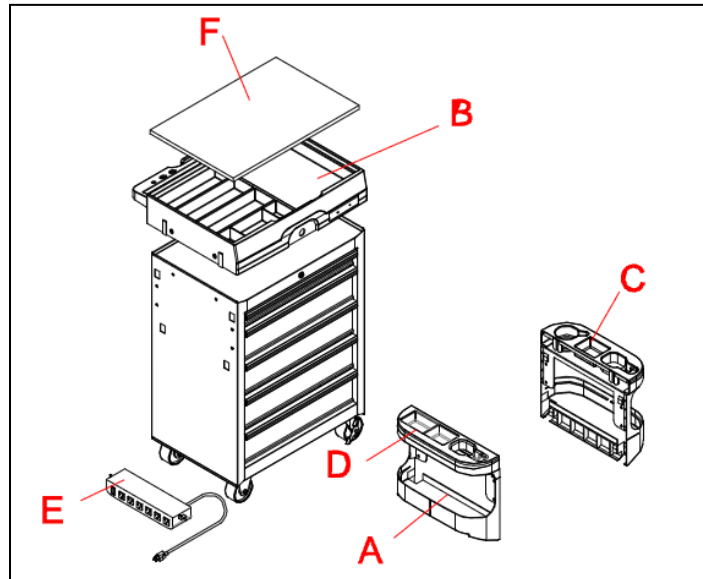
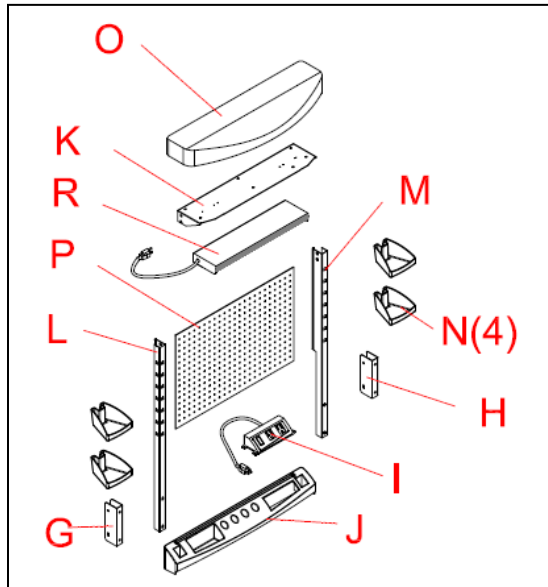
When assembling the cabinet, please start from top to bottom.

Hardware Included



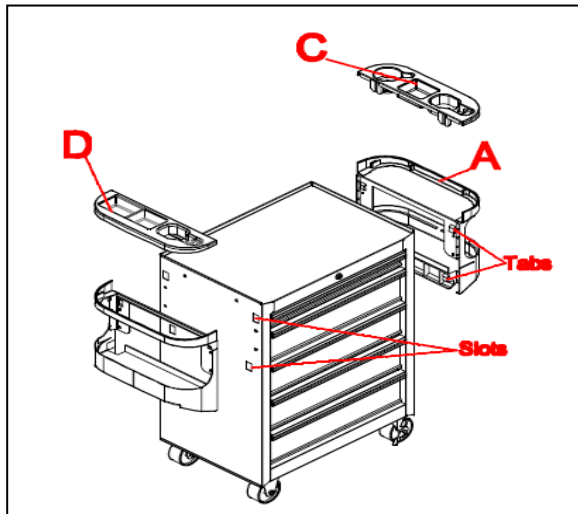
WESTWARD Rolling Cabinet

CABINET EXPLODED VIEW

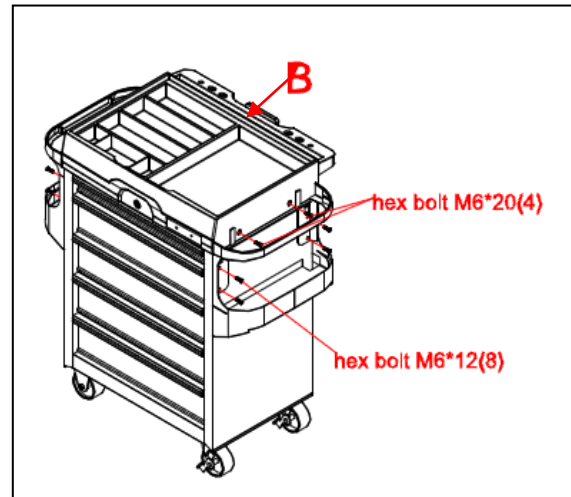


WARNING

NOTE: This unit was shipped with the plastic top on the unit, remove the top from the unit and all parts from the drawers before proceeding with the assembly steps.

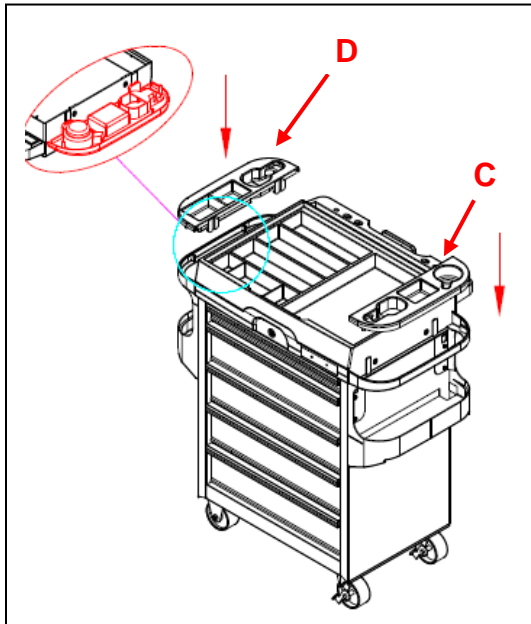


1. Attach saddles bags (A).
2. Insert (4) tabs on (A) into slot on both sides of the unit and slide down into place.

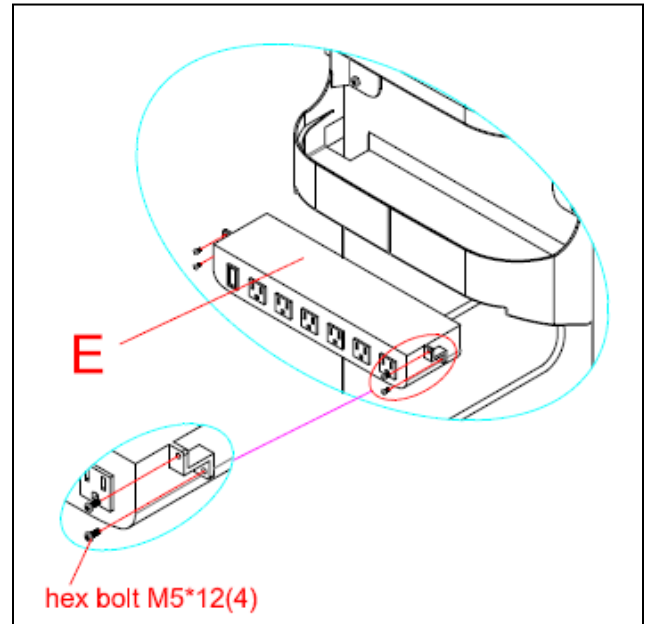


3. Install PP top tray (B) on unit using (4)M6*20 hex bolt.
Note: Line up tabs on both sides of PP top tray (B) with slots on the cabinet.

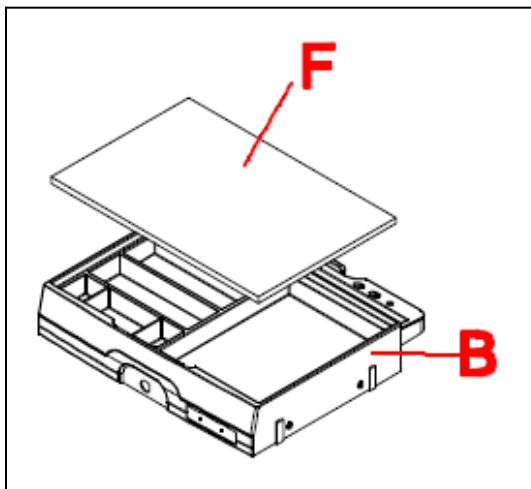
WESTWARD® Rolling Cabinet



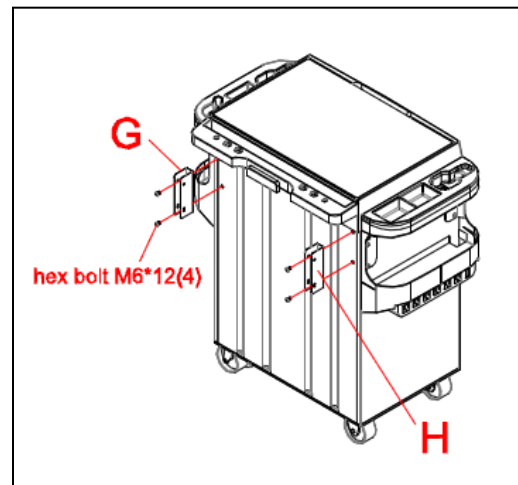
4. Install (C) and (D) on both sides through the slides on (B).
 Note: (C) and (D) can be attached to either side of the unit.



5. Note: (E) can be attached to either side of the unit. Left side mounting shown.
 Attach (E) to saddle bag using (4) M5*12 hex bolt as shown.
Remark: There is one 1.6M length extension cord for the six out-let power tap.

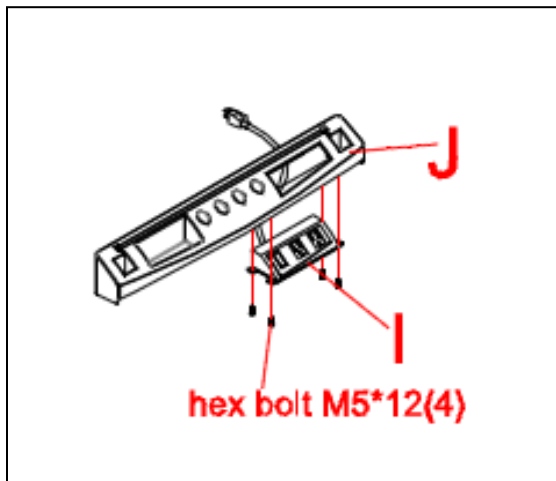


6. Install (F) MDF top to (B) PP tray.

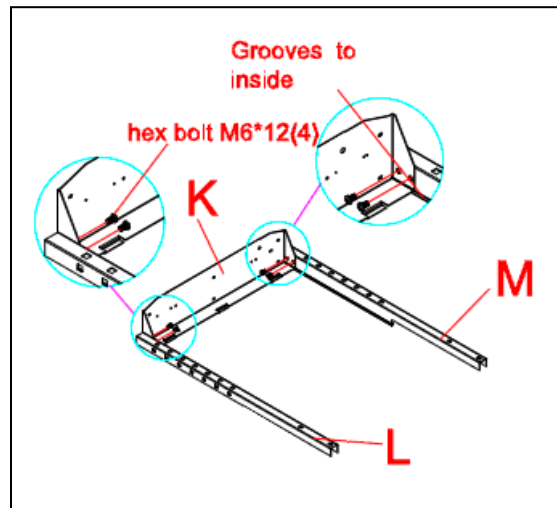


7. Attach (G) and (H) using (4) M6*12 hex bolt. Parts must slide between saddle bag and cabinet on the sides. Wrench tighten (Don't over tighten).

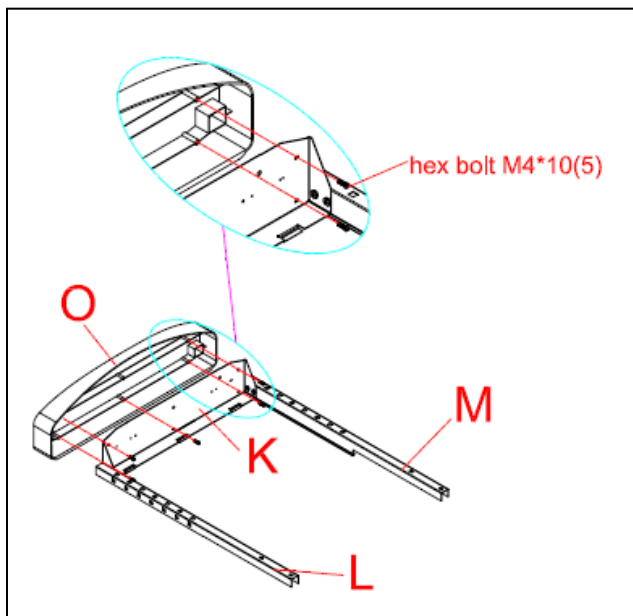
WESTWARD® Rolling Cabinet



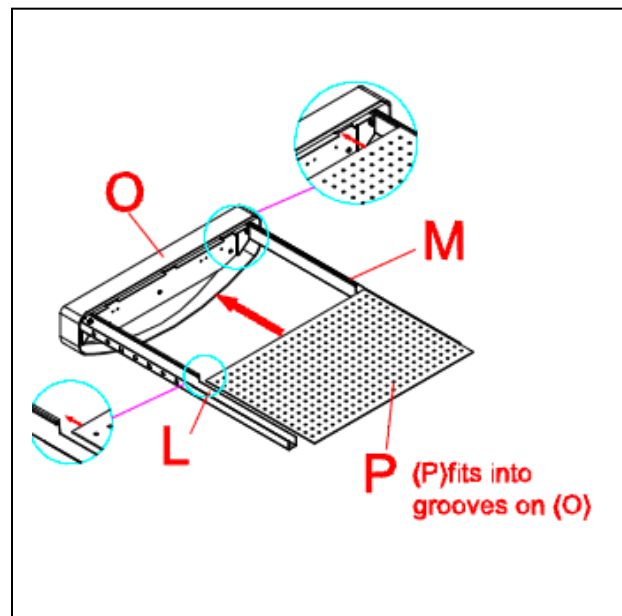
8. Attach (I) to (J) using (4) M5*12 hex bolt. Cord must be fed through the back of (J) for proper fit.



9. Assemble (K),(L) and (M) using(4) M6*12 hex bolt.. Wrench tighten (Don't over tighten).

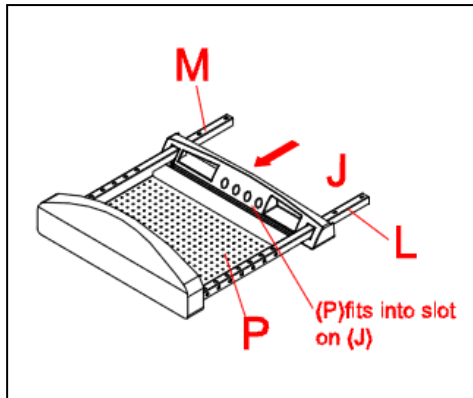


10. Attach (O) to (K) using (5) M4*10 hex bolt. Wrench tighten (Don't over tighten).

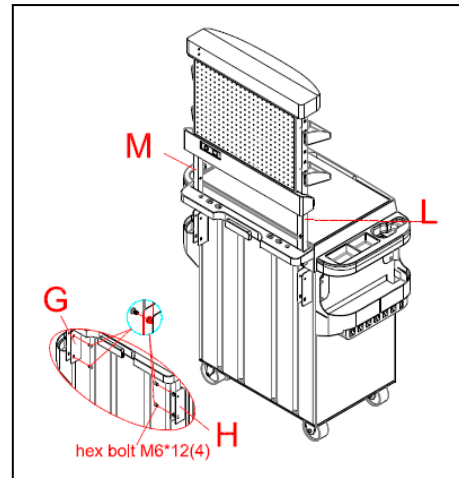


11. Slide (P) into grooves on (L) and (M), so it fits into the grooves on (O).

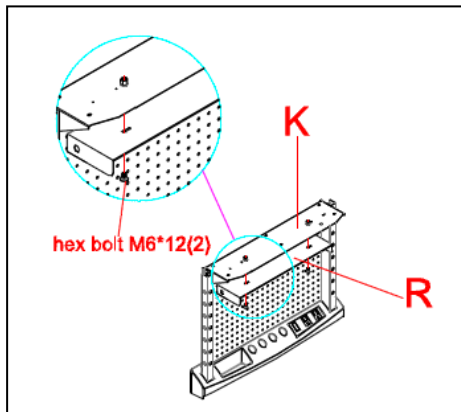
WESTWARD Rolling Cabinet



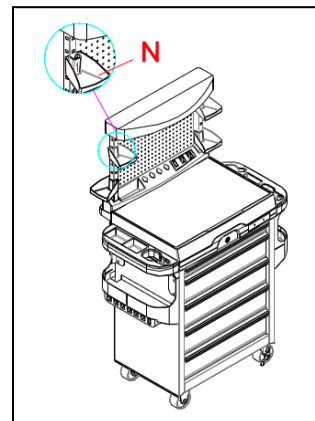
12. Slide (J) onto (L) and (M), so (P) fits into slot on (J).



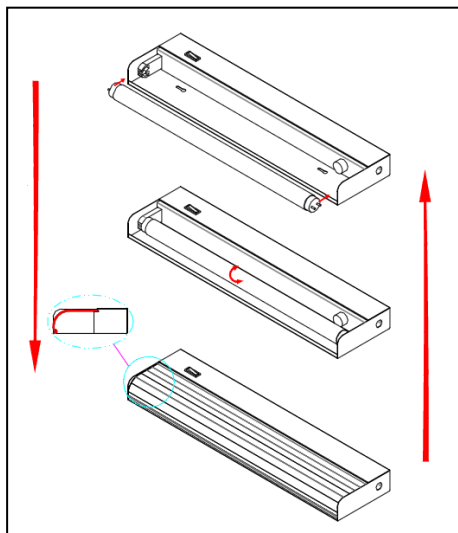
13. Align slots in (L) and (M) with holes in (G) and (H), and attach with (4) M6*12 hex bolt.



14. Attach (2) M6*12 hex bolt to (K). Leave enough gap to allow (R) to hang from the hex bolt.
Note: Plastic Hood not shown for clarify.
Attach (R) to the hex bolt. Slide (R) over to hook into place.



15. Attach (N) (4) where desired.



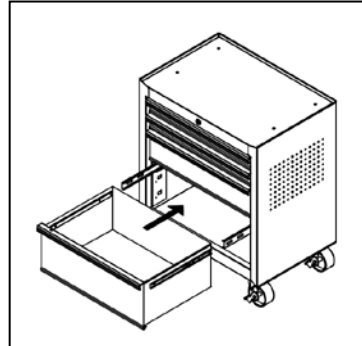
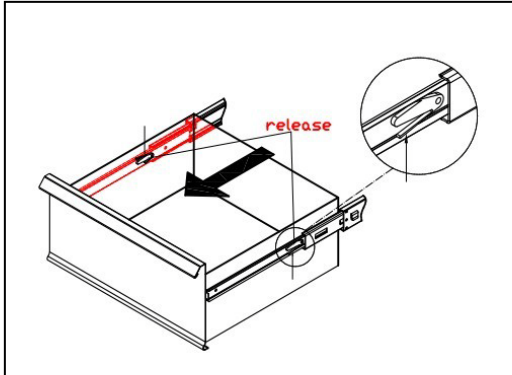
1. To reinstall the light bulb, line up the pins of the bulb with the holes on the light fixture, roll it inwards firstly, then to secure it in place.

2. To reinstall the lampshade, push it inwards slowly, then to secure it in place.

Handle them in the opposite direction when uninstall the bulb and lampshade.

WESTWARD® Rolling Cabinet

DRAWER OPERATION



To remove the drawer:

1. Empty the drawer, fully extend the drawer, release the retaining clip by pushing the lever up on one side and down on the other side simultaneously.
2. Then pull the drawer out.

To reinstall drawers:

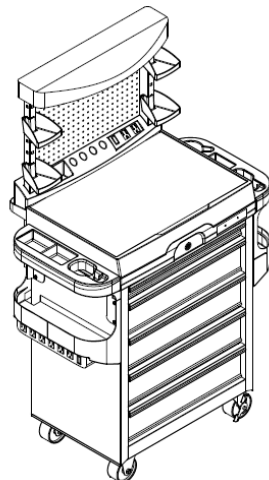
To reinstall drawers, place on slide channels and slide drawer in completely.

Warranty

LIMITED ONE-YEAR WARRANTY

Should this product fail to perform satisfactorily due to a defect or poor workmanship within ONE YEAR from the date of purchase, return it to the place of purchase and it will be replaced free of charge. Incidental or consequential damages are excluded from this warranty.

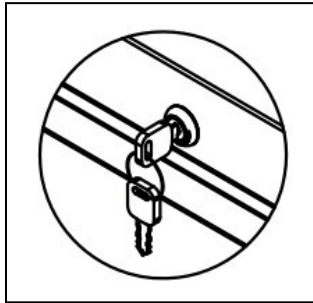
For Repair Parts, call 1-800-323-0620
24 hours a day – 365 days a year



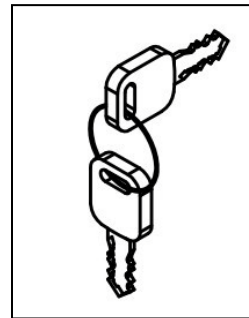
Repair Parts Illustration for Model(s) 31CE52

WESTWARD® Rolling Cabinet

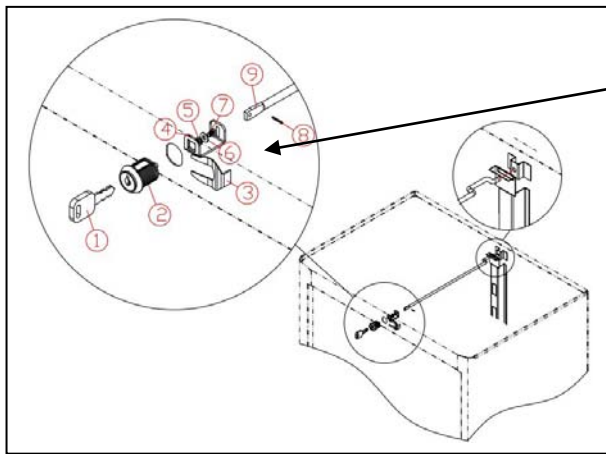
Repair Parts



Keys, parts number: MGC01XXX . Please refer to the number on the key/lock for the last three digits.



Lock and key set, parts number: TTLK001G

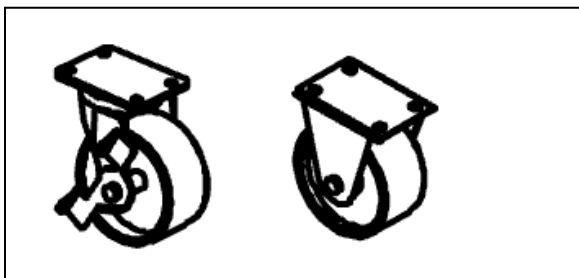


To remove lock and key set:

1. Remove 2 or 3 drawers first from the top down.
2. Remove spring clip ③ using hand tool, eg: pinchers.
3. Pull out the whole central lock including key ①, lock ②, U Shape④, flat washer ⑤, spring washer ⑥, bolts ⑦, clip ⑧, central locking bar ⑨.
4. Take apart bolts ⑦ using cross screwdriver, then remove the discarded key ①, lock ②.

To reinstall lock and key set:

1. Assembly key ①, lock ②, U Shape④, flat washer ⑤, spring washer ⑥, bolts ⑦, clip ⑧, central locking bar ⑨ in sequence, insert the whole central lock through the front hole till up to the hole of locking bar at the back of the cabinet.
2. Insert spring clip ③ on the lock.
3. Tighten all bolts.



Fixed Caster and Swivel caster with brake, parts number: TT42PPG, for 31CE51, 31CE52, 31CE53, 31CE55

Repair Parts List

Reference Number	Description	Part Number	Qty.
1.	Lock and key set	TTLK001G	1
2.	Keys (Please refer to the number on the key/lock for the last three digits.)	MGC01XXX	2
3.	Fixed Caster and Swivel caster with brake (For 31CE51,31CE52, 31CE53,31CE55)	TT42PPG	1