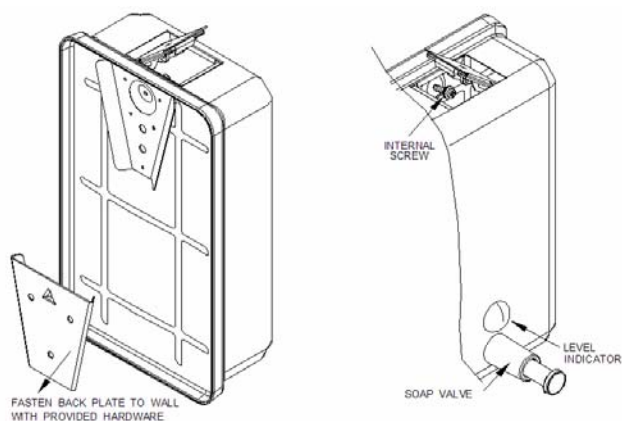


## 1DYD1 VERTICAL SOAP DISPENSER



### SPECIFICATIONS:

- Capacity – 40 oz. (1.18L)
- Material – #304 Stainless Steel
- Soap Valve – Chrome Plated Brass
- Suitable for Dispensing – Liquid Soap, Detergent, Conditioner, etc.
- Includes – Mounting Hardware, Key

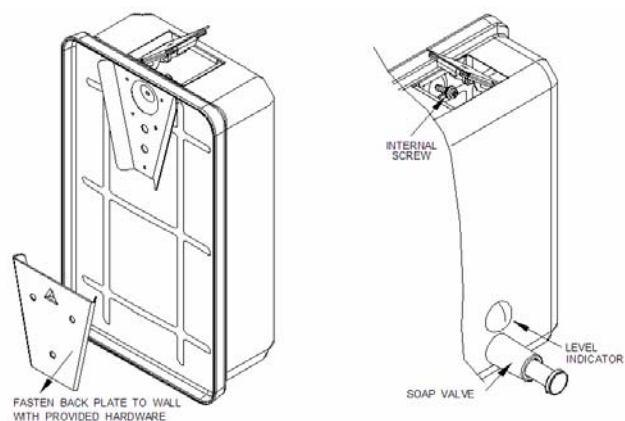
### INSTALLATION:

1. Select the desired mounting position, allowing a minimum of 6 inches between the bottom of the Dispenser and the Basin.
2. Add 7¾ inches to the bottom of the dispenser to determine where the top of the Back Plate should be mounted onto the wall or secure surface.
3. Mount the Back Plate with the screws provided.
4. Slide the Soap Dispenser onto the top of the Back Plate.
5. Unlock the Lid Lock and open the Dispenser.
6. Tighten the internal screw to engage the notch of the Back Plate to engage the anti-theft feature.
7. Fill the container with the desired solution and close the lid (locks automatically).
8. Depress and release the soap valve a number of times until solution is provided.

### REFILL DISPENSER:

Repeat steps #5, 7 & 8 as required.

## 1DYD1 VERTICAL SOAP DISPENSER



### SPECIFICATIONS:

- Capacity – 40 oz. (1.18L)
- Material – #304 Stainless Steel
- Soap Valve – Chrome Plated Brass
- Suitable for Dispensing – Liquid Soap, Detergent, Conditioner, etc.
- Includes – Mounting Hardware, Key

### INSTALLATION:

1. Select the desired mounting position, allowing a minimum of 6 inches between the bottom of the Dispenser and the Basin.
2. Add 7¾ inches to the bottom of the dispenser to determine where the top of the Back Plate should be mounted onto the wall or secure surface.
3. Mount the Back Plate with the screws provided.
4. Slide the Soap Dispenser onto the top of the Back Plate.
5. Unlock the Lid Lock and open the Dispenser.
6. Tighten the internal screw to engage the notch of the Back Plate to engage the anti-theft feature.
7. Fill the container with the desired solution and close the lid (locks automatically).
8. Depress and release the soap valve a number of times until solution is provided.

### REFILL DISPENSER:

Repeat steps #5, 7 & 8 as required.