

## SPECIFICATION SHEET

### DW SERIES 365 / 7 DAY ADVANCED MULTIPURPOSE CONTROLS 1 OR 2 CHANNEL

#### APPLICATIONS

##### 1 Channel

- Outdoor lighting
- Security lighting
- Parking lot lighting
- Canopy lighting

##### 2 Channel

- HVAC Equipment
- Interior lighting
- Electric Motors
- Refrigerator Defrost Control  
Condensers Heaters



#### FEATURES

**SCHEDULING:** 99 ON & OFF set points allow individual programs for each day of the week at a minimum 1 minute apart.

**ASTRONOMIC (DWZ100B only):** Adjustable 10°-60° Northern or Southern latitudes. Can be individually offset +/- 1 to 240 minutes from both sunset and sunrise times.

**HOLIDAYS:** 1 to 24 individual dates

**DAYLIGHT SAVING:** Automatic adjustment (can be omitted)

**LEAP YEAR:** Automatic Compensation scheduled ON or OFF; automatic operation then resumes.

**MANUAL OVERRIDE:** Until the next regularly scheduled ON or OFF; automatic operation then resumes.

**CLOCK FORMAT:** AM/PM or Military time

**POWER OUTAGE BACKUP:** Permanent schedule retention. Supercapacitor provides 4 days of real time backup.

#### SPECIFICATIONS

**TIMING ACCURACY:** Line Frequency

**TERMINAL RANGE:**

#14-#16AWG for line input.

#12-#16AWG load outputs.

**OPERATING TEMPERATURE:**

-40° to +158° (-40° to 70° C)

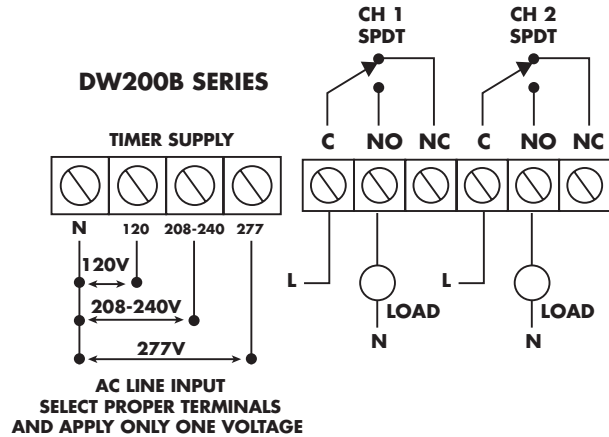
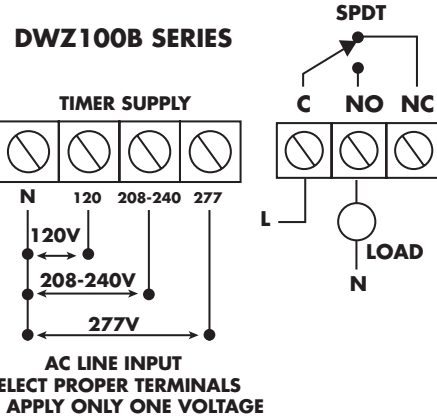
**POWER CONSUMPTION:** 5VA Max

**ENCLOSURE:** Noryl® Indoor/Outdoor  
NEMA 3R is standard.

**DIMENSIONS:**

9 1/8" x 5" x 4 1/2"

#### WIRING DIAGRAMS



CATALOG NO.*	UPC CODE	TIMER SUPPLY (VAC) 50/60Hz	NO. OF CHANNELS	DRY CONTACTS (UNPOWERED)
DWZ100B	82189	120/208-240/277VAC	1	SPDT
DW200B	82190	120/208-240/277VAC	2	SPDT

TYPE	DWZ100B, DW200B		
	VOLTAGE	RATING	
		NO	NC
General Purpose	24-277VAC	30A	30A
Ballast	120VAC	30A	10A
	277VAC	20A	10A
Tungsten	120-277VAC	15A	2A
Pilot Duty	120-277VAC	720VA	720VA
Motor Load	120VAC	1HP	1HP
	208-277VAC	2HP	2HP
Resistive	28VDC	30A	30A