

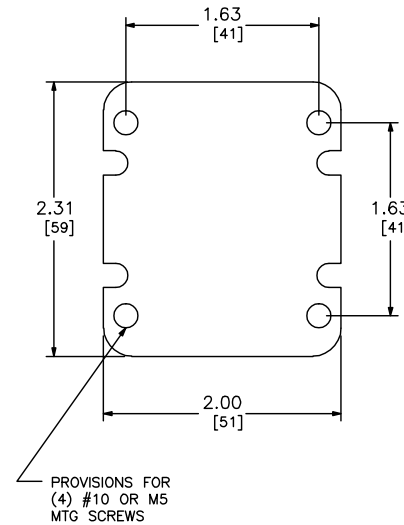
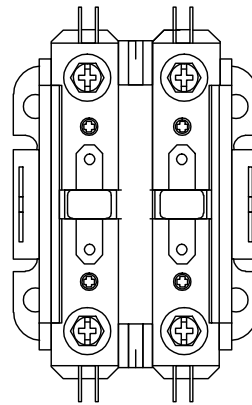
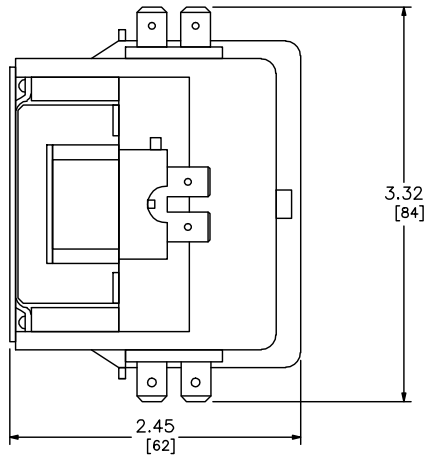
2-POLE DEFINITE PURPOSE — 600 VAC, 50–60 HZ

FULL LOAD AMPERES CODE (2)	
TYPE	FLA
12	20 FLA
22	25 FLA
32	30 FLA
* 42	40 FLA

COIL VOLTAGE CODE (1)	VOLTAGE	
	60 HZ	50 HZ
V14	24	24
V02	120	110
V09	208–240	220
V04	277	—
V06	480	440
V07	600	550

QUICK CONNECT TERMINALS AND
BINDER HEAD SCREWS FOR EASY WIRING.

* = BOX LUGS #14–#4 AWG WIRE SIZE



CATALOG NUMBER: 8910-DP(2)(1)
 RATINGS: SEE CHART
 UL FILE/CCN: UL E78351/NLDX2
 CSA FILE/CLASS: CSA 172334/321104
 MEETS STANDARDS: —
 WEIGHT: 0.58 LB
 WIRE SIZE: POWER — #16–8 AWG
 TERMINAL TORQUE: 22LB – IN (20 TO 30 FLA) 40LB – IN (40 FLA)
 MOUNTING HWD.: (4) #10 OR M5 SCREWS

DUAL DIMENSIONS: INCHES
MILLIMETERS

DEFINITE PURPOSE CONTACTOR (2 POLE)
 CLASS 8910 TYPE DP (2) (1)
 SERIES C



DWG# E0310101-01-C
 No.