

# SEE ALL<sup>®</sup>

SEEING IS BELIEVING



**Mirrors for every safety and security need**

3623 South Laflin Place  
Chicago, IL 60609

---

Office | 773.927.3232 Fax | 773.927.7742 Toll-free | 800.873.1313

[www.seeall.com](http://www.seeall.com)



# Circular | Convex or Round | Mirrors Rectangular

## SAFETY

Whether accidents are major or minor, they increase your costs significantly. Accidents result in damaged equipment and merchandise, injured employees, lost time and lower morale. See-All mirrors provide a wide angle that permits a view around obstructions.

## SHOPLIFTING

See-All convex mirrors inhibit would-be shoplifters. In addition, they give employees a sharp-image view of an entire store area. Valued as the greatest deterrent to theft, See-All is used and acclaimed by leading retailers.

## INDUSTRY

See-All mirrors assist in monitoring conveyor lines, automatic packaging, and quality control. They help prevent collision of lift trucks or other vehicles, and reduce inventory pilferage.

## GUARANTEED QUALITY

Expertly engineered, sturdy construction and attractive design. Curves are precision engineered to eliminate distortion. Placed in effective locations, See-All mirrors assure excellent peripheral vision for a wide range of uses. Available in a full array of sizes and styles to meet every requirement. Adjustable mountings included.



## ABS PLASTIC

A great blend of durability, impact resistance and weatherability. This backing is lightweight, easy to install and comes with a vinyl-coated aluminum edge which makes it completely weatherproof. Available on outdoor acrylic mirrors.





SEE  ALL<sup>®</sup>

# PANARAMIC<sup>®</sup>

## DOMES PROTECTION MIRRORS



— FULL DOME —



— HALF DOME —



— QUARTER DOME —

**New Plexiglas and Steel Dome Mirrors provide collision prevention and surveillance in hospitals, clinics, rest homes, medical facilities, industrial warehouses, retail and commercial facilities.**

---

**All steel domes are designed for use in high hazard areas.**

[www.seeall.com](http://www.seeall.com)



# PANARAMIC®

## A MAJOR ADVANCE IN BETTER VISIBILITY

One large dome mirror does the work of at least two conventional mirrors. Eliminates blind intersections, increasing safety and security.

### Two new dimensions in Safety and Security

Plexiglas and new steel dome mirrors provide collision prevention and surveillance in hospitals, clinics, rest homes, industrial warehouses, retail and commercial facilities.

**Panaramic** views allow personnel and others to move safely through intersections and corridors. Panaramic also provides overhead surveillance. Safety engineers specify panoramic views for industrial applications.

**T-BAR Panaramic** is designed for use in drop ceilings where the ultimate in visibility is required.

**Plexiglas Panaramics** are made of virtually unbreakable lightweight acrylic with a super-bright image that will not fade with time.

**Steel Panaramics | Mr. Steely** is perfect for indoor and outdoor use in high hazard areas such as steel processing plants and mining. Mr. Steely is resistant to heat, abrasives and can be suspended from ceiling or mounted flush against a wall. This special mirror can be cleaned easily. Great for the food service industry.

Assure safe passage through corridors. Choose from three easy-to-install styles

**Full-Dome (360°)** 4-Way  
**Half-Dome (180°)** T-Way  
**Quarter-Dome (90°)** L-Way



**Full Dome**  
Suspends from ceiling  
360° viewing angle



**Half Dome**  
Hangs from wall  
180° viewing angle



**Quarter Dome**  
Hangs from wall corner  
90° viewing angle

### Full Dome Panaramic | 360°

Model	View	Description	Shipping Wt.
PV18-360	360°	18 in. dia.   Plexi   Areas up to 300 sq. ft.	6 lbs.
PV26-360	360°	26 in. dia.   Plexi   Areas up to 400 sq. ft.	10 lbs.
PV32-360	360°	32 in. dia.   Plexi   Areas up to 450 sq. ft.	14 lbs.
PV36-360	360°	36 in. dia.   Plexi   Areas up to 500 sq. ft.	19 lbs.
PV48-360	360°	48 in. dia.   Plexi   Areas up to 800 sq. ft.	31 lbs.

### Full Dome Panaramic | Steel | 360°

Model	View	Description	Shipping Wt.
PVS9-360	360°	9 in. dia.   Plexi   Areas up to 150 sq. ft.	3 lbs.
PVS12-360	360°	12 in. dia.   Plexi   Areas up to 200 sq. ft.	4 lbs.
PVS18-360	360°	18 in. dia.   Plexi   Areas up to 300 sq. ft.	10 lbs.
PVS24-360	360°	24 in. dia.   Plexi   Areas up to 400 sq. ft.	12 lbs.

### Half Dome Panaramic | 180°

Model	View	Description	Shipping Wt.
PV18-180	180°	0.5 - 18 in. dia.   Plexi   Areas up to 150 sq. ft.	5 lbs.
PV26-180	180°	0.5 - 26 in. dia.   Plexi   Areas up to 200 sq. ft.	7 lbs.
PV32-180	180°	0.5 - 32 in. dia.   Plexi   Areas up to 225 sq. ft.	10 lbs.
PV36-180	180°	0.5 - 36 in. dia.   Plexi   Areas up to 225 sq. ft.	12 lbs.
PV48-180	180°	0.5 - 48 in. dia.   Plexi   Areas up to 400 sq. ft.	16 lbs.

### Half Dome Panaramic | Steel | 180°

Model	View	Description	Shipping Wt.
PVS9-180	180°	0.5 - 9 in. dia.   Plexi   Areas up to 75 sq. ft.	2 lbs.
PVS12-180	180°	0.5 - 12 in. dia.   Plexi   Areas up to 100 sq. ft.	3 lbs.
PVS18-180	180°	0.5 - 18 in. dia.   Plexi   Areas up to 150 sq. ft.	4 lbs.
PVS24-180	180°	0.5 - 24 in. dia.   Plexi   Areas up to 200 sq. ft.	5 lbs.

### Quarter Dome Panaramic | 90°

Model	View	Description	Shipping Wt.
PV18-90	90°	0.25 - 18 in. dia.   Plexi   Areas up to 50 sq. ft.	5 lbs.
PV26-80	90°	0.25 - 26 in. dia.   Plexi   Areas up to 75 sq. ft.	4 lbs.
PV32-80	90°	0.25 - 32 in. dia.   Plexi   Areas up to 90 sq. ft.	5 lbs.
PV36-90	90°	0.25 - 36 in. dia.   Plexi   Areas up to 100 sq. ft.	6 lbs.
PV48-90	90°	0.25 - 48 in. dia.   Plexi   Areas up to 200 sq. ft.	10 lbs.

### T-Bar Panaramic | 360°

Model	View	Description	Shipping Wt.
PVT-Bar 2 ft. x 2 ft.	360°	24 in. dia.   Plexi Drop-in   Areas up to 175 sq. ft.	13 lbs.
PVT-Bar 2 ft. x 4 ft.	360°	24 in. dia.   Plexi Drop-in   Areas up to 175 sq. ft.	17 lbs.



# Heavy Duty Mounting Brackets

- Included with purchase.
- Allow for easy installation,
- Swivel assembly adjusts to most positions

# Mirror Backings

- Tempered hardboard for most indoor applications
- Rugged ABS plastic for outdoor acrylic mirrors
- Stainless steel (Type 304) for extreme conditions



## Circular Glass | Indoor

Model	Size	Usage	Shipping Wt.
N5	5 in. dia.	Lift Truck & Elevators	1 lb.
N6	6 in. dia.	Lift Truck & Elevators	1.5 lbs.
N8	8 in. dia.	Elevators	2 lbs.
N12	12 in. dia.	Small areas & Spot applications	5 lbs.
N18	18 in. dia.	Areas up to 15 ft.	7 lbs.
N26	26 in. dia.	Areas up to 20 ft.	15 lbs.
N30	30 in. dia.	Areas up to 25 ft.	18 lbs.
N36	36 in. dia.	Areas up to 35 ft.	24 lbs.

## Circular Glass | Heavy Duty | Outdoor

Model	Size	Usage	Shipping Wt.
N05	5 in. dia.	H/D Truck & Elevators	1 lb.
N06	6 in. dia.	H/D Truck & Elevators	1.5 lbs.
N08	8 in. dia.	Buses & Trucks	2 lbs.
N012	12 in. dia.	Small areas outdoor	6 lbs.
N018	18 in. dia.	Areas up to 15 ft. outdoor	8 lbs.
N026 +	26 in. dia.	Areas up to 20 ft. outdoor	17 lbs.
N030 +	30 in. dia.	Areas up to 25 ft. outdoor	20 lbs.
N036 +	36 in. dia.	Areas up to 35 ft. outdoor	27 lbs.

## Circular Acrylic | Indoor

Model	Size	Usage	Shipping Wt.
PLX8	8 in. dia.	Elevators	2 lbs.
PLX12	12 in. dia.	Small areas & Spot applications	3 lbs.
PLX18	18 in. dia.	Areas up to 15 ft.	5 lbs.
PLX26	26 in. dia.	Areas up to 20 ft.	11 lbs.
PLX30	30 in. dia.	Areas up to 25 ft.	14 lbs.
PLX36	36 in. dia.	Areas up to 35 ft.	18 lbs.
PLX48 +	48 in. dia.	Areas up to 45 ft.	35 lbs.

## Circular Acrylic | Heavy Duty | Outdoor

Model	Size	Usage	Shipping Wt.
PLX08	8 in. dia.	Small areas	2 lbs.
PLX012	12 in. dia.	Small areas outdoor	3 lbs.
PLX018	18 in. dia.	Areas up to 15 ft. outdoor	5 lbs.
PLX026 +	26 in. dia.	Areas up to 20 ft. outdoor	14 lbs.
PLX030 +	30 in. dia.	Areas up to 25 ft. outdoor	16 lbs.
PLX036 +	36 in. dia.	Areas up to 35 ft. outdoor	19 lbs.
PLX048 +	48 in. dia.	Areas up to 45 ft. outdoor	38 lbs.

## Round Rectangular Glass | Indoor

Model	Size	Usage	Shipping Wt.
RR1218	12 in. x 18 in.	Areas up to 15 ft., low ceiling	6 lbs.
RR1524	15 in. x 24 in.	Areas up to 20 ft., low ceiling	11 lbs.
RR2030	20 in. x 30 in.	Areas up to 30 ft., low ceiling	18 lbs.
RR2436	24 in. x 36 in.	Areas up to 35 ft., low ceiling	38 lbs.

## Round Rectangular Glass | Outdoor

Model	Size	Usage	Shipping Wt.
RRO1216	12 in. x 18 in.	Areas up to 15 ft. outdoor	7 lbs.
RRO1524 +	15 in. x 24 in.	Areas up to 20 ft. outdoor	13 lbs.
RRO2030 +	20 in. x 30 in.	Areas up to 25 ft. outdoor	20 lbs.
RRO2436 +	24 in. x 36 in.	Areas up to 35 ft. outdoor	24 lbs.

+ Models that include double hardware

# Heavy Duty Mounting Brackets

- Included with purchase.
- Allow for easy installation,
- Swivel assembly adjusts to most positions

# Mirror Backings

- Tempered hardboard for most indoor applications
- Rugged ABS plastic for outdoor acrylic mirrors
- Stainless steel (Type 304) for extreme conditions



## Circular Acrylic | High Visibility Edge | Indoor

Model	Size	Usage	Shipping Wt.
PLX12RT	12 in. dia.	Small areas & Spot applications	2 lbs.
PLX18RT	18 in. dia.	Areas up to 15 ft.	5 lbs.
PLX26RT	26 in. dia.	Areas up to 20 ft.	11 lbs.
PLX30RT	30 in. dia.	Areas up to 25 ft.	14 lbs.
PLX36RT	36 in. dia.	Areas up to 35 ft.	18 lbs.
PLX48RT +	48 in. dia.	Areas up to 45 ft.	35 lbs.



## Round Glass | Shatter Resistant | Indoor

Model	Size	Usage	Shipping Wt.
SN12	12 in. dia.	Small areas & Spot applications	5 lbs.
SN18	18 in. dia.	Areas up to 15 ft.	7 lbs.
SN26	26 in. dia.	Areas up to 20 ft.	15 lbs.
SN30	30 in. dia.	Areas up to 25 ft.	18 lbs.
SN36	36 in. dia.	Areas up to 35 ft.	24 lbs.



## Round Rectangular | Acrylic | Indoor

Model	Size	Usage	Shipping Wt.
PLX1218	12 in. x 18 in.	Areas up to 15 ft.	6 lbs.
PLX1524	15 in. x 24 in.	Areas up to 20 ft.	11 lbs.
PLX2030	20 in. x 30 in.	Areas up to 25 ft.	18 lbs.
PLX2436	24 in. x 36 in.	Areas up to 35 ft.	22 lbs.



## Circular Acrylic | Stainless Steel Backer | Outdoor

Model	Size	Usage	Shipping Wt.
PLXO12SSB	12 in. dia.	Small areas & Spot applications	5 lbs.
PLXO18SSB	18 in. dia.	Areas up to 15 ft. outdoor	7 lbs.
PLXO26SSB +	26 in. dia.	Areas up to 20 ft. outdoor	15 lbs.
PLXO30SSB +	30 in. dia.	Areas up to 25 ft. outdoor	18 lbs.
PLXO36SSB +	36 in. dia.	Areas up to 35 ft. outdoor	25 lbs.
PLXO48SSB +	48 in. dia.	Areas up to 45 ft. outdoor	45 lbs.



## Circular Stainless Steel | Indoor

Model	Size	Usage	Shipping Wt.
SS14	14 in. dia.	Areas up to 12 ft.	8 lbs.
SS20	20 in. dia.	Areas up to 18 ft.	10 lbs.
SS26	26 in. dia.	Areas up to 25 ft.	19 lbs.
SS34	34 in. dia.	Areas up to 32 ft.	28 lbs.
SS42	42 in. dia.	Areas up to 40 ft.	50 lbs.



## Circular Stainless Steel | Stainless Steel Backer | Outdoor

Model	Size	Usage	Shipping Wt.
SSO14	14 in. dia.	Areas up to 12 ft. outdoor	10 lbs.
SSO20	20 in. dia.	Areas up to 18 ft. outdoor	13 lbs.
SSO26 +	26 in. dia.	Areas up to 25 ft. outdoor	22 lbs.
SSO34 +	34 in. dia.	Areas up to 32 ft. outdoor	37 lbs.
SSO42 +	42 in. dia.	Areas up to 40 ft. outdoor	55 lbs.

+ Models that include double hardware



**Be Ready**  
**Be Prepared**  
**Be SAFE**

**SEE-ALL** inspection mirrors are excellent tools for searching under vehicles, machines and storage tanks. They simplify sweep searches underneath seats, counters, and other storage spaces. This becomes a necessity when searching for possible weapons, explosives, narcotics or other contraband. Easily safeguard stadiums, churches, auditoriums, airports, planes, movie theaters, offices, nightclubs, train stations and restaurants.

- The handy ergonomic mirror is easy to hold and use effectively. It hangs from your hand at the perfect angle, counterbalanced for long term use, with little or no fatigue.
- Protect the entrances to all secured areas by using **SEE-ALL** portable inspection mirrors.
- It is imperative to check under vehicles going into secured areas, such as military posts and government buildings.
- Whether they are used with a bomb squad, a drug search unit, or at a customs checkpoint; our mirrors do the job to help reveal contraband.



All mirrors come with an adjustable ball and swivel.



Wheels allow for effortless, precise maneuvering.



The deluxe model includes a mounted flashlight.

## Handheld Inspection Mirrors

- Slip resistant PVC finger-grip handle
- Ergonomic chrome arm: Adjustable - 25 in. to 30 in.
- Glass or acrylic convex mirror with a metal backer and ball swivel mount
- Flat mirrors available
- Lightweight, for easy handling



Model	Description
SUC-8C	8 in.   round   convex   glass mirror
SUC-6C	6 in.   round   convex   glass mirror
SUC-PLX8C	8 in.   round   convex   acrylic mirror

## Inspection Mirrors with Wheels

- Convex mirror gives a wide-angle view to scan large areas quickly
- Flat mirror gives a more precise view and accurate depth perception
- Deluxe model mirror is heavy duty and can be used indoors or outdoors
- Standard model is for light duty and used for indoor purposes
- Adjustable handles: 30 in. to 50 in.
- Wheels add effortless maneuvering
- Includes flashlight: Deluxe models



Model	Description
SUC-12C	12 in.   standard round   convex
SUC-1212F	12 in.   standard square   flat
DUC-12C	12 in.   deluxe round   convex
DUC-1212F	12 in.   deluxe square   flat
DUC-18C	18 in.   deluxe round   convex



More quality products from



EXPANDED VIEW  
ICU  
CLIP-ON MIRROR

## ICU Personal Convex Mirror

Great for office cubicles, work benches, children's rooms, kitchens, and utility rooms

- 7" diameter convex mirror with articulating arm
- Clip-on or magnetic mounting means
- For use where you do not want a permanent installation
- Flexible to move from location to location as needed
- Handy, convenient and portable
- Easy installation, no tools or drilling required for mounting
- Clip mirror to any edge or use the magnet mount on any steel surface
- Use on a workbench, desk, office divider or door

Model	Size	Usage	Shipping Wt.
ICU7	7 in.	Personal safety & security clip-on mirror	1 lbs.
ICU7-MAG	7 in.	Personal safety & security magnet mount mirror	2 lbs.



## P-123 Mirror Cleaning Kit

Safe to use on any mirror surface: glass, acrylic and polycarbonate

### Includes

- 19 oz. can, P-123 Industrial Plastic Cleaner (1)
- Soft Lint-free Towelette (24)



## Convex Mirror with Telescoping Pedestal

Portable convex mirror that is great for temporary applications or where there are no mounting means

Convex Mirror on an adjustable pedestal

- Adjustable column height from 28 in. to 48 in.
- Large locking knob for quick adjustments
- One piece cast iron base
- Assembles quickly

Model	Size	Usage	Shipping Wt.
PED-12	12 in.	Acrylic convex pedestal mirror   Indoor	15 lbs.
PED-18	18 in.	Acrylic convex pedestal mirror   Indoor	18 lbs.
PED-26	26 in.	Acrylic convex pedestal mirror   Indoor	24 lbs.
PED-1218	12 in. x 18 in.	Acrylic convex pedestal mirror   Indoor	17 lbs.
PED-1524	15 in. x 24 in.	Acrylic convex pedestal mirror   Indoor	22 lbs.



More quality products from



## Flat Mirrors for Industry

Perfect for a true view reflection of any object in assembly lines or product inspection where accuracy is critical.

Available in three different mirror substrates such as: glass, shatter resistant glass, and acrylic. All three are available in various sizes for both indoor and outdoor use. We have also included a new Hi-Viz version which has a red and white color boarder installed around the outside edge to visually draw your attention to the product.

Model	Size	Usage	Shipping Wt.
N918F	9 in. x 18 in.	Flat glass mirror indoor use	8 lbs.
N1216F	14 in. x 20 in.	Flat glass mirror indoor use	10 lbs.
N1624F	16 in. x 22 in.	Flat glass mirror indoor use	12 lbs.
N2436F	18 in. x 24 in.	Flat glass mirror indoor use	14 lbs.
PLX1212F	12 in. x 12 in.	Flat acrylic mirror indoor use	22 lbs.
PLX1216F	12 in. x 16 in.	Flat acrylic mirror indoor use	25 lbs.
PLX1624F	16 in. x 24 in.	Flat acrylic mirror indoor use	22 lbs.
PLX2436F	24 in. x 36 in.	Flat acrylic mirror indoor use	25 lbs.

- Indoor models come with vinyl edge trim and a hardboard backing
- Outdoor models come with a vinyl coated aluminum edge trim with a weather treated enamel coated hardboard backing
- All models have a ball and swivel assembly on the back of the mirror for angle adjustment and are easy to install using the furnished mounting bracket(s).
- Available in glass, acrylic, and shatter resistant glass
- Hi-Viz models add a red and white striped boarder around the outer edge



## Stainless Steel Framed Mirrors

Great for medical facilities, commercial restrooms, locker rooms, and hotels

The mirror is 1/4" thick and constructed with premium glass which has an electroplated copper coated back.

The frame, which is fully polished, is an 18 gauge type 304 stainless steel frame with welded and polished corners. The frame angle measures 5/8" x 3/4".

This unit is theft and vandal resistant because there are no visible mounting screws or clips.

Model	Size	Usage	Shipping Wt.
FR1218	12 in. x 18 in.	Flat glass mirror w/ stainless steel frame	8 lbs.
FR1420	14 in. x 20 in.	Flat glass mirror w/ stainless steel frame	10 lbs.
FR1622	16 in. x 22 in.	Flat glass mirror w/ stainless steel frame	12 lbs.
FR1824	18 in. x 24 in.	Flat glass mirror w/ stainless steel frame	14 lbs.
FR2430	24 in. x 30 in.	Flat glass mirror w/ stainless steel frame	22 lbs.
FR2436	24 in. x 36 in.	Flat glass mirror w/ stainless steel frame	25 lbs.



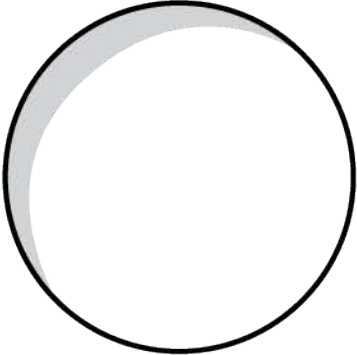
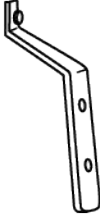
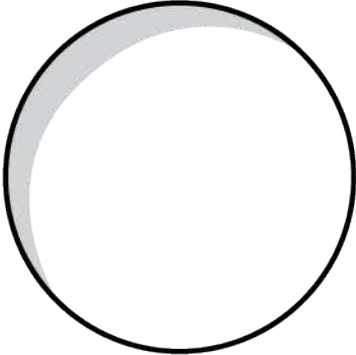
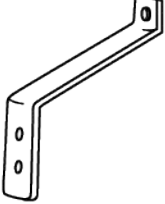
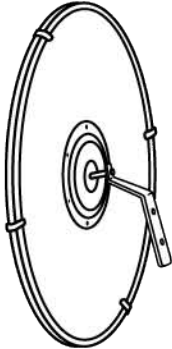
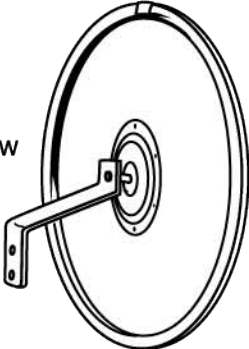
Video-Square



Scan to see video

## SMALL SAFETY MIRROR

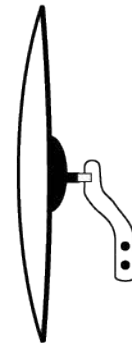
## Mounting Instructions

INDOOR	PARTS INCLUDED	OUTDOOR	
 <p>Mirror</p>	 <p>Offset Bracket</p>	 <p>Mirror</p>	 <p>Large Offset Bracket</p>
<p>BACK VIEW</p> 		<p>BACK VIEW</p> 	

## ASSEMBLY INSTRUCTIONS

### INSTALLING MIRROR ON WALL ( CLOSE TO WALL )

1. Attach offset bracket to wall or post.
2. Attach mirror to offset bracket and adjust angle.
3. Tighten screws on ball bracket to fix mirror in desired position.



Ceiling Mount

Wall Mount

Outdoor Mount

Video-Square



Scan to see video

Video-Square



Scan to see video



Video-Square

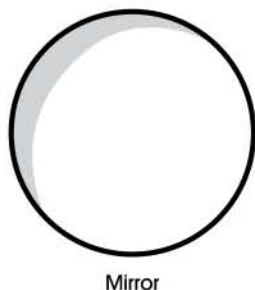


Scan to see video

INDOOR

PARTS INCLUDED

OUTDOOR



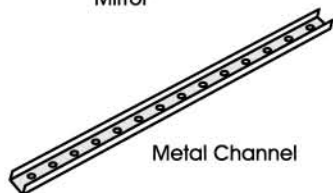
Mirror



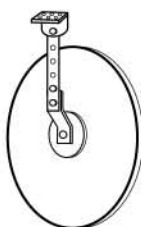
Base Plate



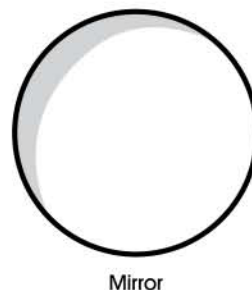
Offset Bracket



Metal Channel



BACK VIEW



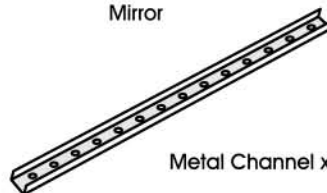
Mirror



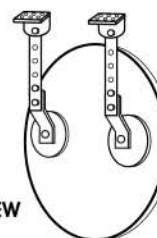
Base Plate x2



Offset Bracket x2



Metal Channel x2



BACK VIEW

Mirrors also include bolts, nuts, and washers

## ASSEMBLY INSTRUCTIONS

### INSTALLING MIRROR ON WALL (CLOSE TO WALL)

See Figure 1

1. Attach offset bracket to wall or post.
2. Attach mirror to offset bracket and adjust angle.
3. Tighten screws on ball bracket to fix mirror in desired position.
4. You may discard the metal channel and base plate.

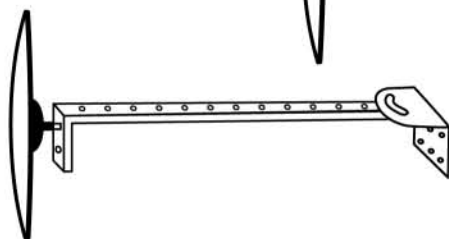
Figure 1



Figure 2



Figure 3



### INSTALLING MIRROR ON COUNTER OR CEILING

See Figure 2

1. Attach base plate to either counter or ceiling.
2. Attach metal channel to base plate (use nuts, bolts and washers).
3. Attach offset bracket to other end of channel (use nuts, bolts and washers).
4. Attach mirror to offset bracket.
5. Tighten screws on ball bracket to fix mirror in desired position.

### INSTALLING MIRROR ON WALL

See Figure 3

1. Attach base plate to wall.
2. Cut end of metal channel; bend to right angle.
3. Attach metal channel to base plate (use nuts, bolts and washers).
4. Attach mirror directly to metal channel – you may discard offset bracket.
5. Tighten screws on ball bracket to fix mirror in desired position.