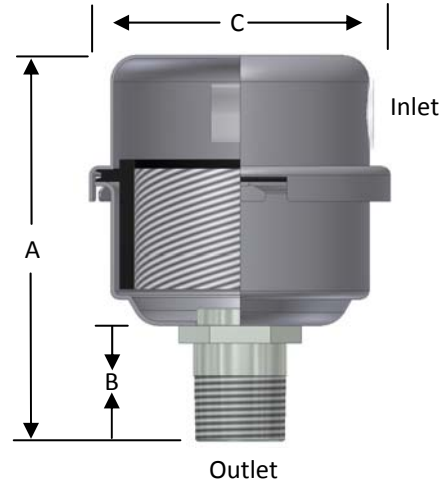


# Miniature Filter Silencers FS Series 1/4" - 1" MPT



## Features

- High grade filter element with integrated gasket seal
- Fully drawn weatherhood - no welds to rust or vibrate apart
- Tubular silencing design - tube maximizes attenuation and air flow while minimizing pressure drop
- Industrial carbon steel construction with black powder coat finish
- Ability to mount vertically and horizontally

## Technical Specifications

- Temp (continuous): min -15°F (-26°C) max 220°F (104°C)
- Filter change out differential: 15-20" H<sub>2</sub>O over initial Δ P
- Polyester: 99%+ removal efficiency standard to 25 micron
- Paper: 99%+ removal efficiency standard to 2 micron
- Pressure drop graphs available upon request

## Options

- Various media for different environments
- Straight through configuration
- Epoxy coated finishes
- Special connections

## Outlet Connections

MPT Outlet	Assembly SCFM Rating	Assembly Part Number		Dimensions - inches			No. of Silencing Tubes	Approx. Wt. lbs.	Replacement Element Part No.		Element SCFM Rating
		Polyester	Paper	A	B	C			Polyester	Paper	
1/4"	4	FS-05-025	FS-04-025	2 3/4	5/8	2 1/2	1	0.25	05	04	8
3/8"	8	FS-05-038	FS-04-038	2 3/4	5/8	2 1/2	1	0.25	05	04	8
3/8"	8	FS-07-038	FS-06-038	3 9/16	5/8	3 1/4	1	0.50	07	06	12
1/2"	8	FS-05-050	FS-04-050	3	7/8	2 1/2	1	0.25	05	04	8
1/2"	12	FS-07-050	FS-06-050	3 13/16	7/8	3 1/4	1	0.50	05	04	12
1/2"	12	FS-11-050	FS-10-050	4 1/8	7/8	4 1/8	1	1	11	10	35
3/4"	12	FS-07-075	FS-06-075	4 3/16	1 1/4	3 1/4	1	0.50	07	06	12
3/4"	25	FS-11-075	FS-10-075	4 1/2	1 1/4	4 1/8	1	1	11	10	35
1"	35	FS-11-100	FS-10-100	4 1/2	1 1/4	4 1/8	1	1	11	10	35

See Filter Silencer Technical Data section for sizing guidelines.

Dimension tolerance ± 1/4"

**Tidbit:** Charlie Solberg Jr. created a patented process to manufacture our Hockey Puck Style Filter Elements that are used in these housings.