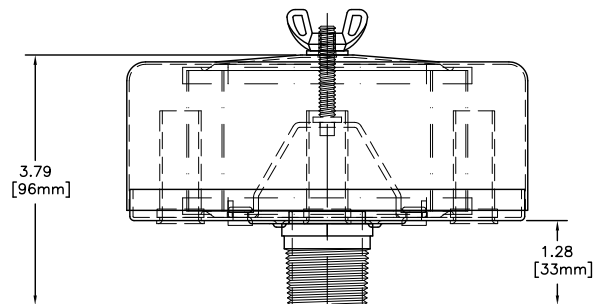
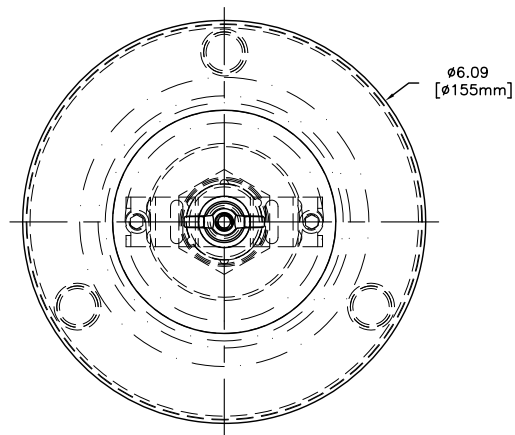


REVISIONS					
REV	DESCRIPTION	DR #	CHG BY	DATE	APP'D



ELEMENT	15	ELEMENT	15
MATERIAL	POLYESTER	MATERIAL	POLYESTER
FLOW RATE	60 m ³ /hr	FLOW RATE	35 CFM
SURFACE AREA	0.05 m ²	SURFACE AREA	0.50 ft ²
I.D.	76mm	I.D.	3.00"
O.D.	111mm	O.D.	4.38"
HEIGHT	59mm	HEIGHT	2.31"

MODEL #	MATERIAL	FINISH
FS-15-100	CARBON STEEL	BLACK PAINT

The information contained herein is confidential and the property of Solberg Manufacturing Inc. and it is furnished to you with the express understanding that it will not be reproduced, copied in any manner, logged or otherwise transferred to others entirely or in part, nor used for any purpose other



SOLBERG MANUFACTURING INC.
1151 W. ARDMORE AVE.
ITASCA, IL 60143