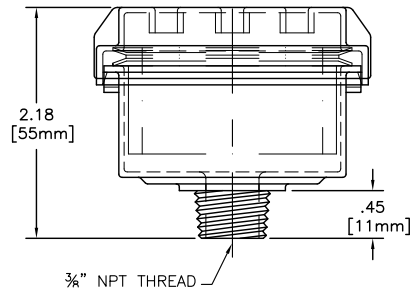
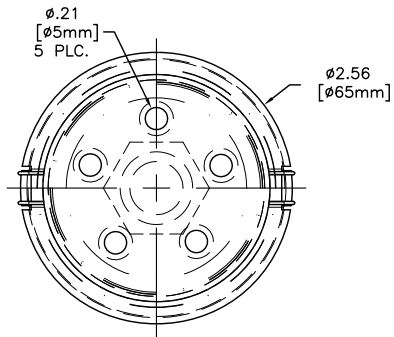


REVISIONS					
REV	DESCRIPTION	DR #	CHG BY	DATE	APPR



ELEMENT	04	ELEMENT	04
MATERIAL	PAPER	MATERIAL	PAPER
FLOW RATE	14 m ³ /hr	FLOW RATE	8 CFM
SURFACE AREA	0.02 m ²	SURFACE AREA	0.20 ft ²
I.D.	0mm	I.D.	0.00"
O.D.	57mm	O.D.	2.25"
HEIGHT	25mm	HEIGHT	1.00"

MODEL #	MATERIAL	FINISH
PS-04-038	GLASS FILLED NYLON	NONE

The information contained herein is confidential and the property of Solberg Manufacturing Inc. and it is furnished to you with the express understanding that it will not be reproduced, copied in any manner, loaned or otherwise transferred to others entirely or in part, nor used for any purpose other



SOLBERG MANUFACTURING INC.
1151 W. ARDMORE AVE.
ITASCA, IL 60143