

REVISIONS					
REV	DESCRIPTION	DR #	CHG BY	DATE	APP'D
A	ADDED NOTE	-	CMA	05/31/11	M.C.

NOTES & SPECIFICATIONS:

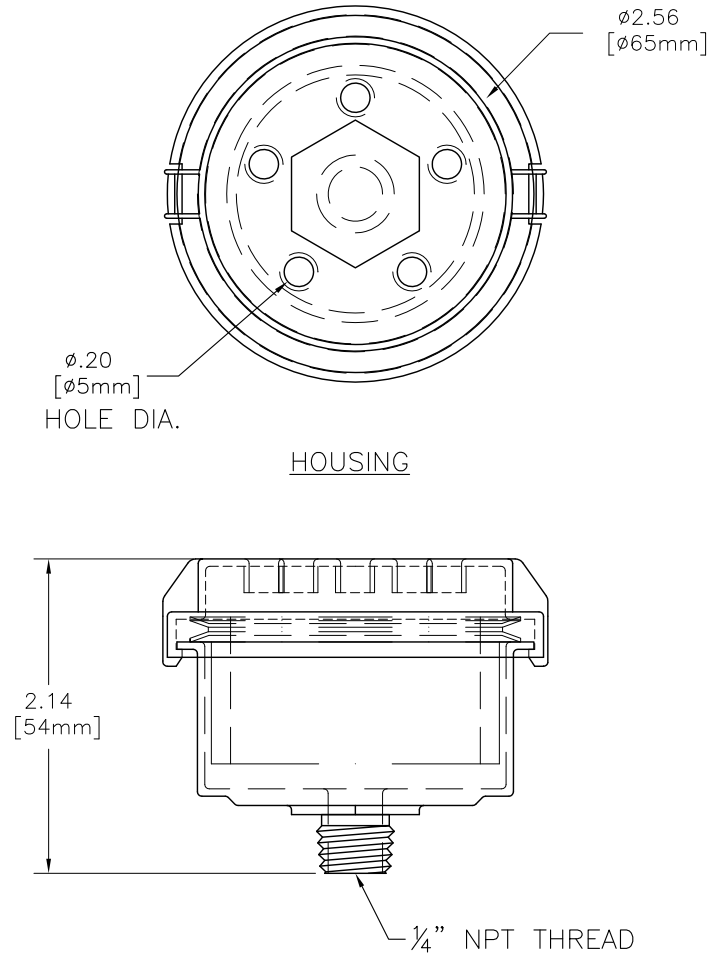
1. MATERIALS:

FILTER ELEMENT:

- a) SANTOPRENE RUBBER
- b) FILTER MEDIA; PAPER, HEPA, POLYESTER

HOUSING:

- a) 33% GLASS FILLED NYLON



FILTER ELEMENT

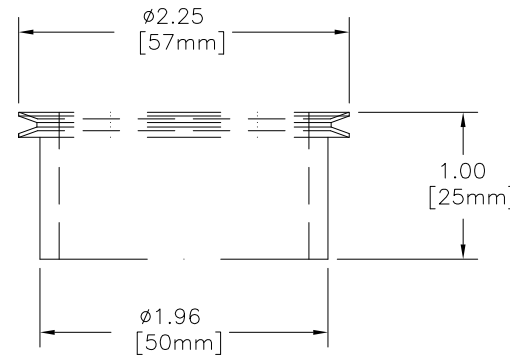


TABLE DRAWING
REFERENCE ONLY

REPLACEMENT ELEMENT# HE04	
MATERIAL	HEPA
FLOW	60 L/min
SURFACE AREA	185.8 sq. CM
I.D.	-
O.D.	2.25"
HEIGHT	1"

REPLACEMENT ELEMENT# 04	
MATERIAL	PAPER
FLOW	170 L/min
SURFACE AREA	185.8 sq. CM
I.D.	-
O.D.	2.25"
HEIGHT	1"

REPLACEMENT ELEMENT# 05	
MATERIAL	POLYESTER
FLOW	170 L/min
SURFACE AREA	185.8 sq. CM
I.D.	-
O.D.	2.25"
HEIGHT	1"

The information contained herein is confidential and the property of Solberg Manufacturing Inc. and it is furnished to you with the express understanding that it will not be reproduced, copied in any manner, loaned or otherwise transferred to others entirely or in part, nor used for any purpose other than for which it was furnished. It will be returned upon request to Solberg Manufacturing Inc. The above restriction is in addition to, and does not in any way alter, any other restrictions which may apply to the information contained herein.

UNLESS OTHERWISE SPECIFIED:
-DIMENSIONS ARE IN INCHES
-FINISH: BREAK EDGES .005-.020 RADIUS/CHAMFER
-REF: APPROXIMATE DIMENSIONS, NO TOLERANCES APPLY



SOLBERG MANUFACTURING INC.
1151 W. ARDMORE AVE.
ITASCA, IL 60143
630/616-4400

DESCRIPTION:
PS-04-025 INLET FILTER SILENCER

APPROVALS	DATE	SHEET: #	SHEET SIZE: C	SCALE: NTS
DRAWN: ARA	08/13/03	DRAWING NUMBER:	REV: A	
APPROVED: C.S.	08/13/03	SD11113		