



**COS-8E & COS-8EDS COMBI OVENS
BCS-8E STEAMER
CNV-8E CONVECTION OVEN
REPLACEMENT PARTS LIST**

EFFECTIVE JANUARY 19, 2012

Superseding All Previous Parts Lists.

The Company reserves the right to make substitution in the event that items specified are not available.

ERRORS: Descriptive and/or typographic errors are subject to correction.

BLODGETT OVEN COMPANY

44 Lakeside Avenue, Burlington, Vermont 05401 USA Telephone: (802) 658-6600 Fax: (802) 860-3732
www.blodgett.com

P/N 53291 Rev B

SERIAL NUMBER LOCATION / KEY:

IMPORTANT: When ordering parts, please provide the model, gas type, voltage and serial number of the oven. The identification plate is located on the left side of the control compartment.

SERIAL NUMBERS CONTAINING:

IB IC

HQ

HA HC IG

EXAMPLE:

021896HC023S

TO OBTAIN LITERATURE:

Email: literature@blodgett.com

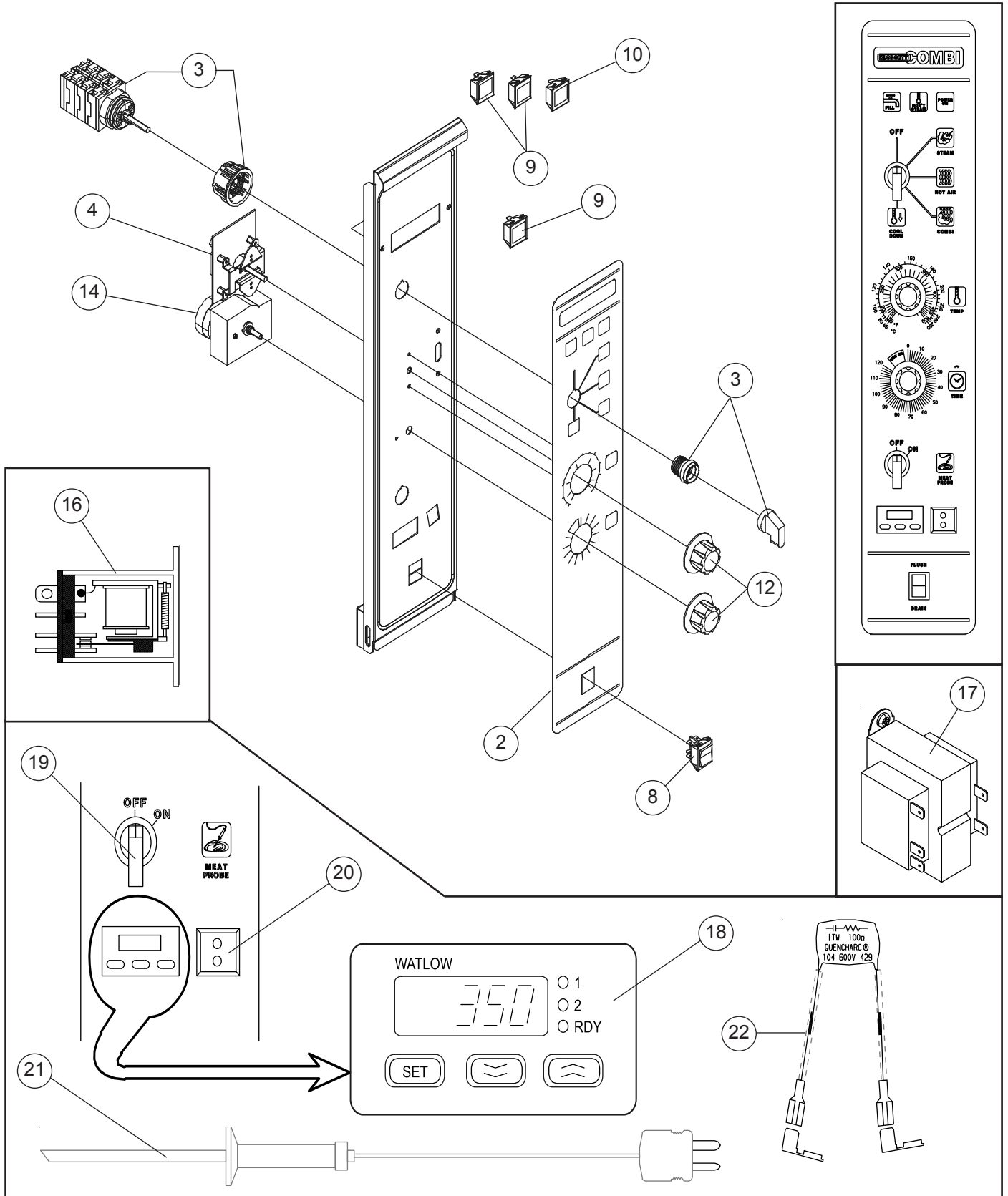
or visit

www.blodgett.com

TABLE OF CONTENTS

STANDARD “COS” CONTROL PANEL COMPONENTS	4
DIGITAL “COS” CONTROL PANEL COMPONENTS	6
STANDARD “BCS” CONTROL PANEL COMPONENTS	8
STANDARD “CNV” CONTROL PANEL COMPONENTS	9
DIGITAL “CNV” CONTROL PANEL COMPONENTS	10
DOOR COMPONENTS	11
DOOR HANDLE COMPONENTS	12
EXTERIOR COMPONENTS	13
HARNESS AND PANEL ASSEMBLY	14
FUSE OPTIONS & HARNESES	16
THERMOSTATS	17
CONVECTION MOTOR COMPONENTS	18
DIRECT STEAM COMPONENTS	19
STEAM GENERATOR COMPONENTS	20
PLUMBING COMPONENTS	22
INTERIOR COMPONENTS	24
ACCESSORIES	25
BODY BACK & BOTTOM OPTIONS	26

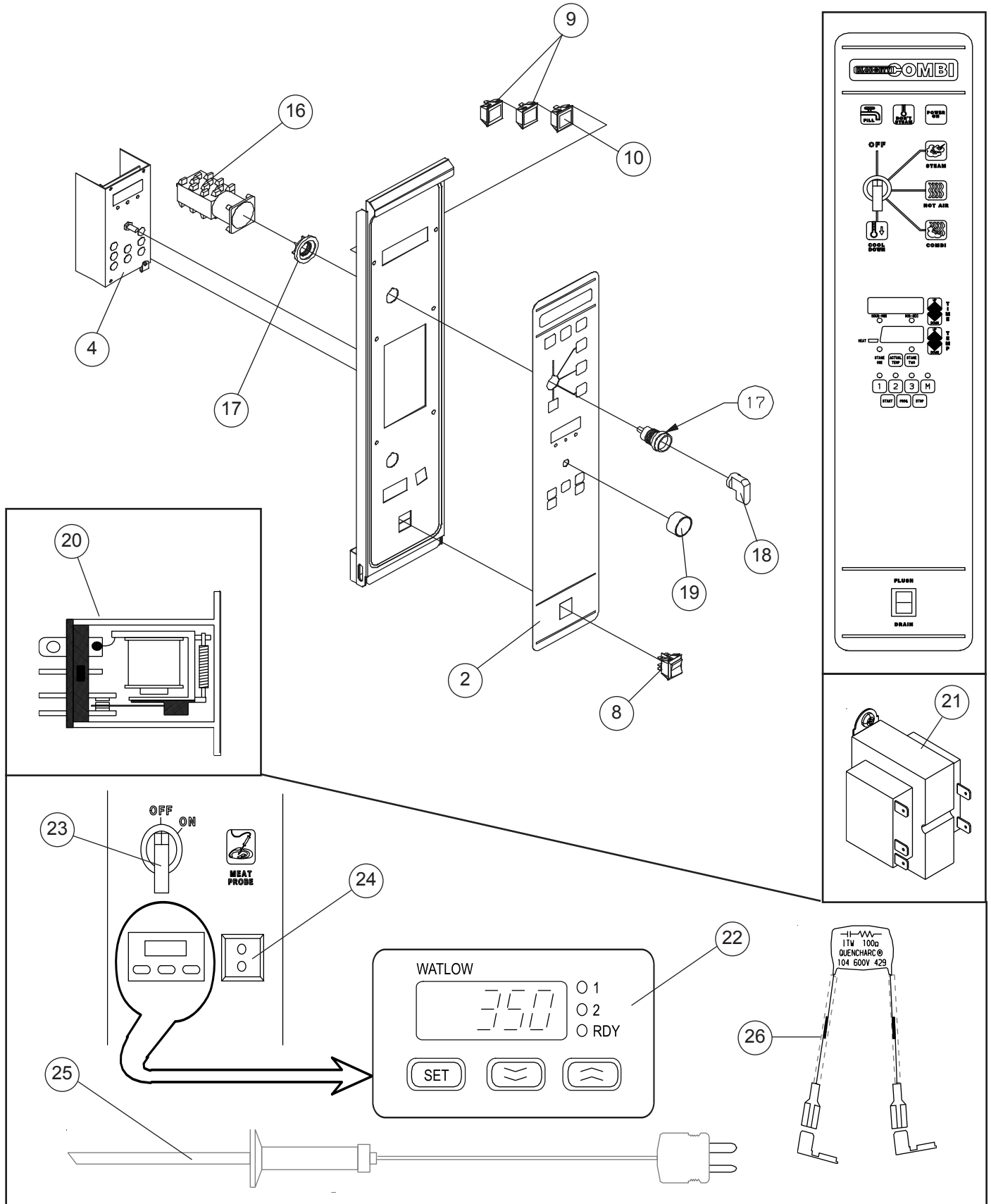
STANDARD COS CONTROL



STANDARD COS CONTROL

Ref. No.	Part No.	Description
	R5181	Control panel, Std, 60hz w/out meat probe
	R5814	Control panel, Std, 50hz w/out meat probe
	R5247	Control panel, Std, 60hz w/meat probe
	R5588	Harness, control (all panels listed above)
	R4872	Gasket, control panel (per foot)
2	R5183	Decal, control Std w/o meat probe
	R5210	Decal, control Std w/meat probe
3	R4623	Switch, mode 4 position
	R8515	Knob and shaft assy, mode switch
4	R6407	Controller, temperature 150-500 degrees P5
	R6003	Probe, temp controller (item #4)
	R3992	Gasket, probe, temp controller (item #4)
8	R2715	Switch, momentary Flush/Drain
9	R0226	Indicator light, clear
10	R1318	Indicator light, green Power On
12	16686	Knob, temp control & timer
14	R2666	Timer, 120 minute 60hz
	R3942	Timer, 120 minute 50hz
16	R2792	Relay, SPST 240V ice cube
	R7689	Relay, SPDT (CE only)
18	R5242	Controller, meat probe
	R7692	Controller, meat probe (CE only)
19	R4622	Switch, meat probe on/off
20	R5219	Panel jack
21	R5315	Probe, meat plug-in type
22	R6988	Suppressor, arc assy
	R5218	Harness, meat probe
	R5325	Wire, thermocouple 20awg
	R5391	Clip, meat probe
	M3167	Holder, fuse (CE only)
	R7717	Fuse, 24V (CE only)
	R7715	Bracket, fuse holder

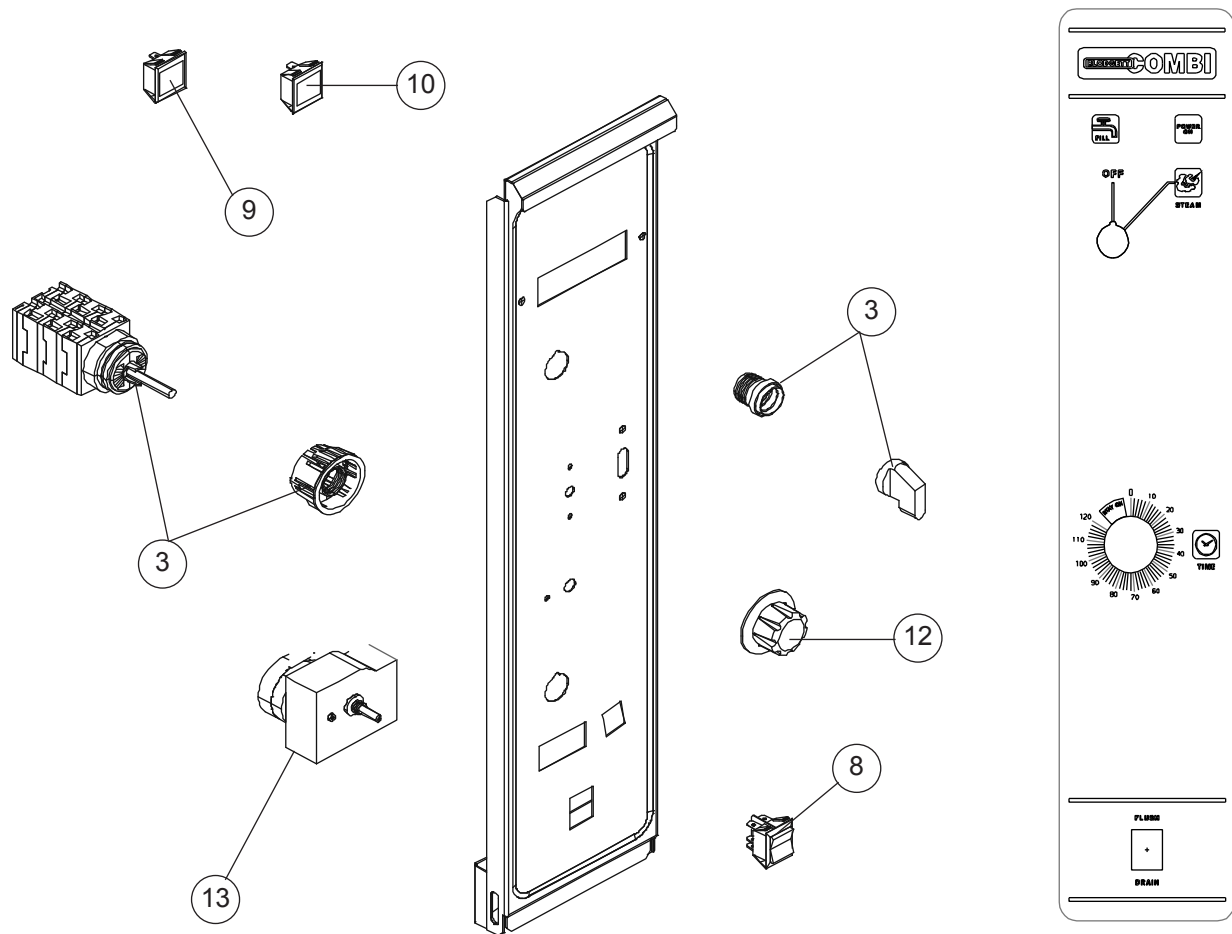
DIGITAL COS CONTROL



DIGITAL COS CONTROL

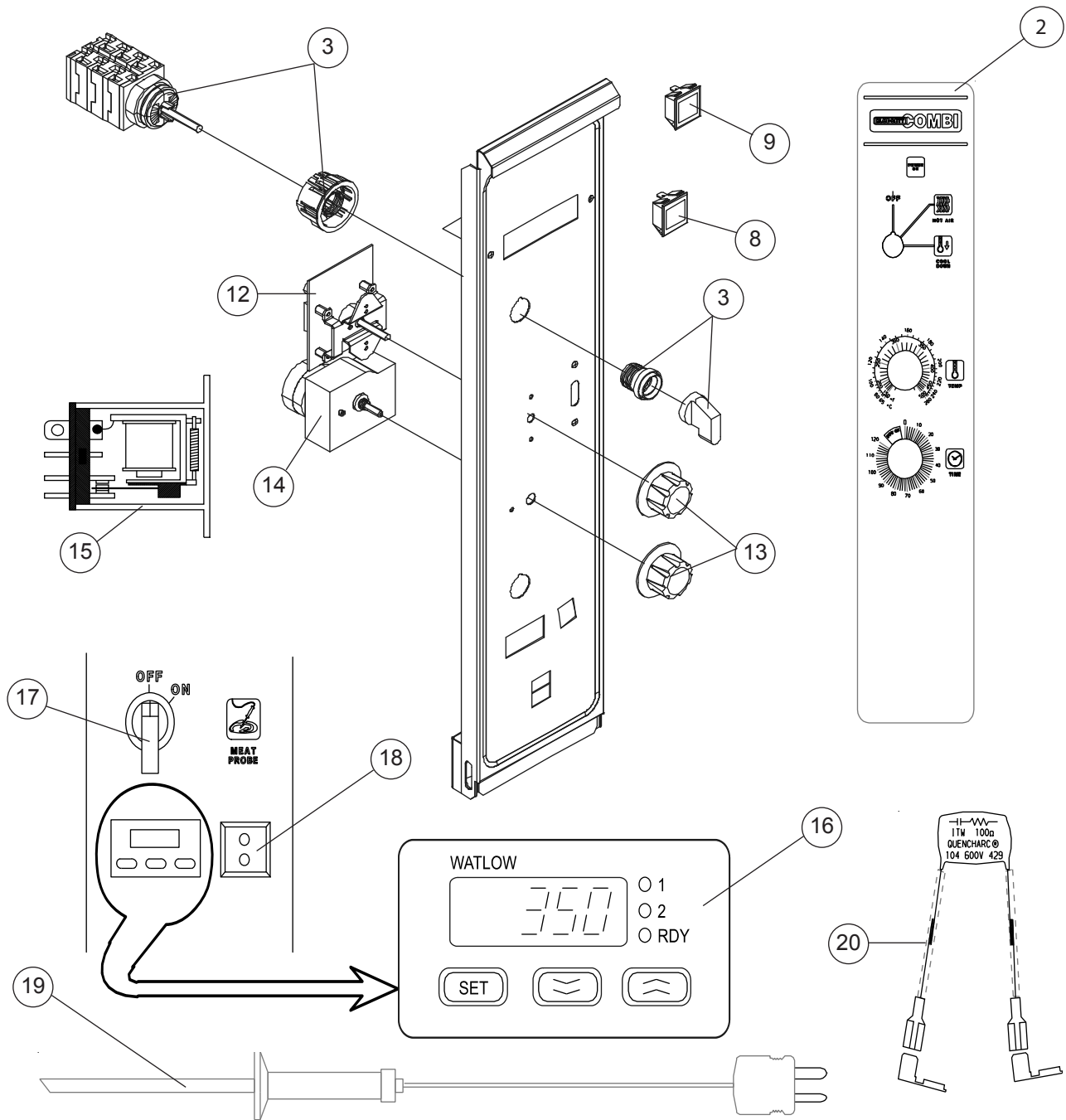
Ref. No.	Part No.	<u>Description</u>
	R5175	Control Panel, TNT w/o meat probe
	R5246	Control Panel, TNT w/meat probe
	R5565	Harness, control (all panels listed above)
	R4872	Gasket, control panel (per foot)
2	R7426	Decal, control TNT w/o meat probe
	R7854	Controller retrofit kit (from knob to all pads)
	R7403	Controller, time & temp (all touch pads)
	R6928	Sensor, controller
8	R2715	Switch, momentary Flush/Drain
9	R0226	Indicator light, clear
10	R1318	Indicator light, green Power On
16	R4623	Switch, mode 4 position
17-18	R8515	Knob and shaft assy, mode switch
20	R2792	Relay, SPST 120V ice cube
	R7689	Relay, SPDT (CE Only)
21	52948	Transformer, 208/240-24V (CE Only)
22	R5242	Controller, meat probe
	R7692	Controller, meat probe (CE Only)
23	R7198	Switch, meat probe on/off
24	R5219	Panel jack
25	R5315	Probe, meat plug-in type
26	R6988	Suppressor, arc assy
	R5218	Harness, meat probe
	R5325	Wire, thermocouple 20awg
	R5391	Clip, meat probe
	M3167	Holder, fuse (CE only)
	R7715	Bracket, fuse holder (CE only)
	R7717	Fuse, 24V (CE only)

BCS STANDARD CONTROL



Ref. No.	Part No.	Description
	R4872	Gasket, control panel (per foot)
3	R4622	Switch, mode 4 position
8	R2715	Switch, momentary Flush/Drain
9	R0226	Indicator light, clear
10	R1318	Indicator light, green Power On
12	16686	Knob, timer
13	R2666	Timer, 120 minute 60hz
	R3942	Timer, 120 minute 50hz

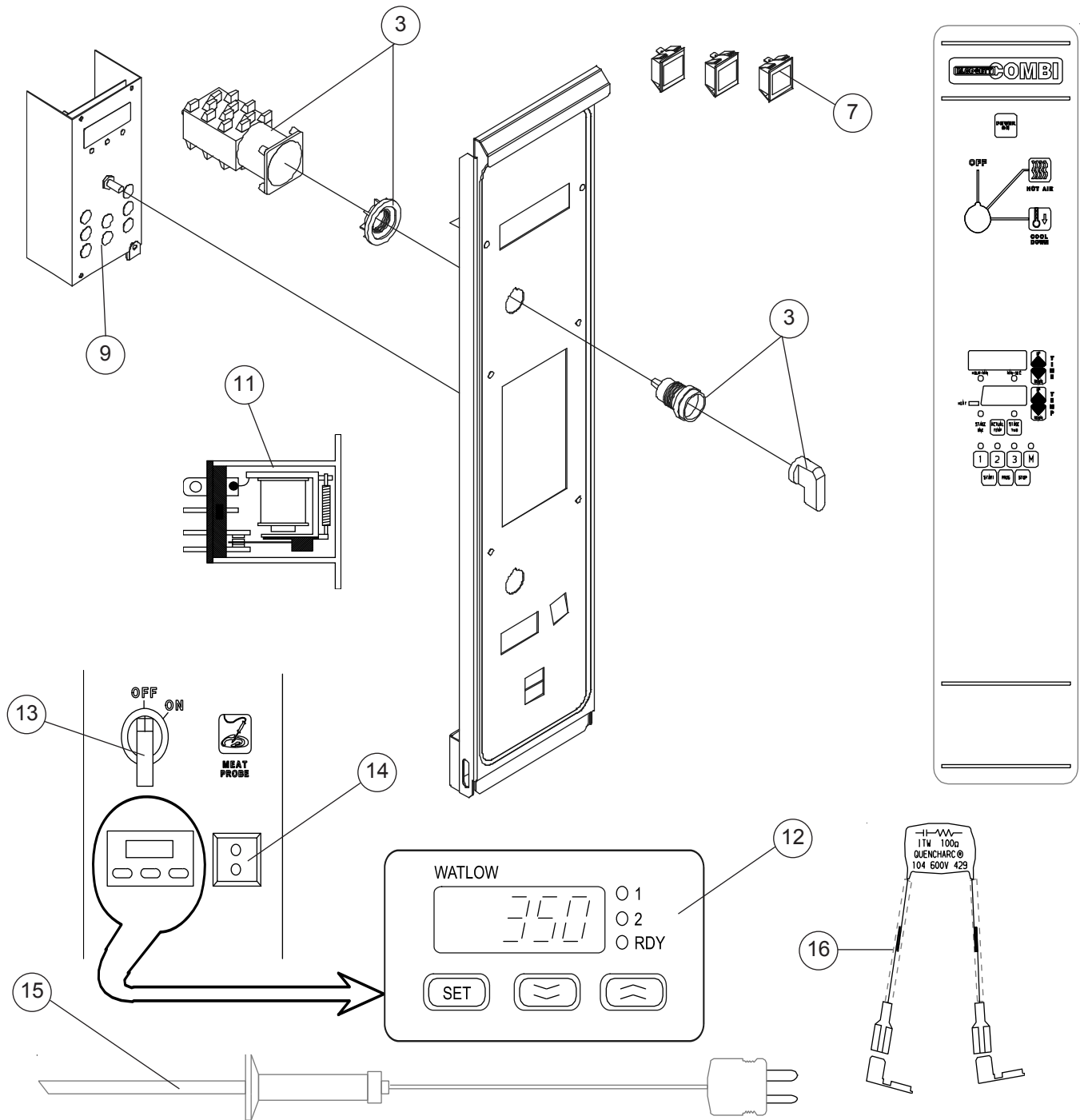
CNV STANDARD CONTROL



Ref. No.	Part No.	Description
	R4872	Gasket, control panel (per foot)
2	R5612	Decal, control Std w/o meat probe
	R5816	Decal, control Std w/meat probe
3	R5686	Switch, mode 4 position
8	R0226	Indicator light, clear
9	R1318	Indicator light, green Power On
12	R6407	Controller, hot air 150-500 degrees P5
	R6003	Probe, hot air controller
	R3992	Gasket, hot air probe
13	16686	Knob, timer & controller
14	R2666	Timer, 120 minute 60hz

Ref. No.	Part No.	Description
	R3942	Timer, 120 minute 50hz
15	R2792	Relay, DPST 120V
16	R5242	Control, meat probe
17	R4622	Switch, meat probe
18	R5219	Panel jack, meat probe
19	R5315	Probe, meat plug in
20	R6988	Suppressor, arc assy
	R5218	Harness, meat probe
	R5325	Wire, thermocouple 20AWG
	R5391	Clip, meat probe

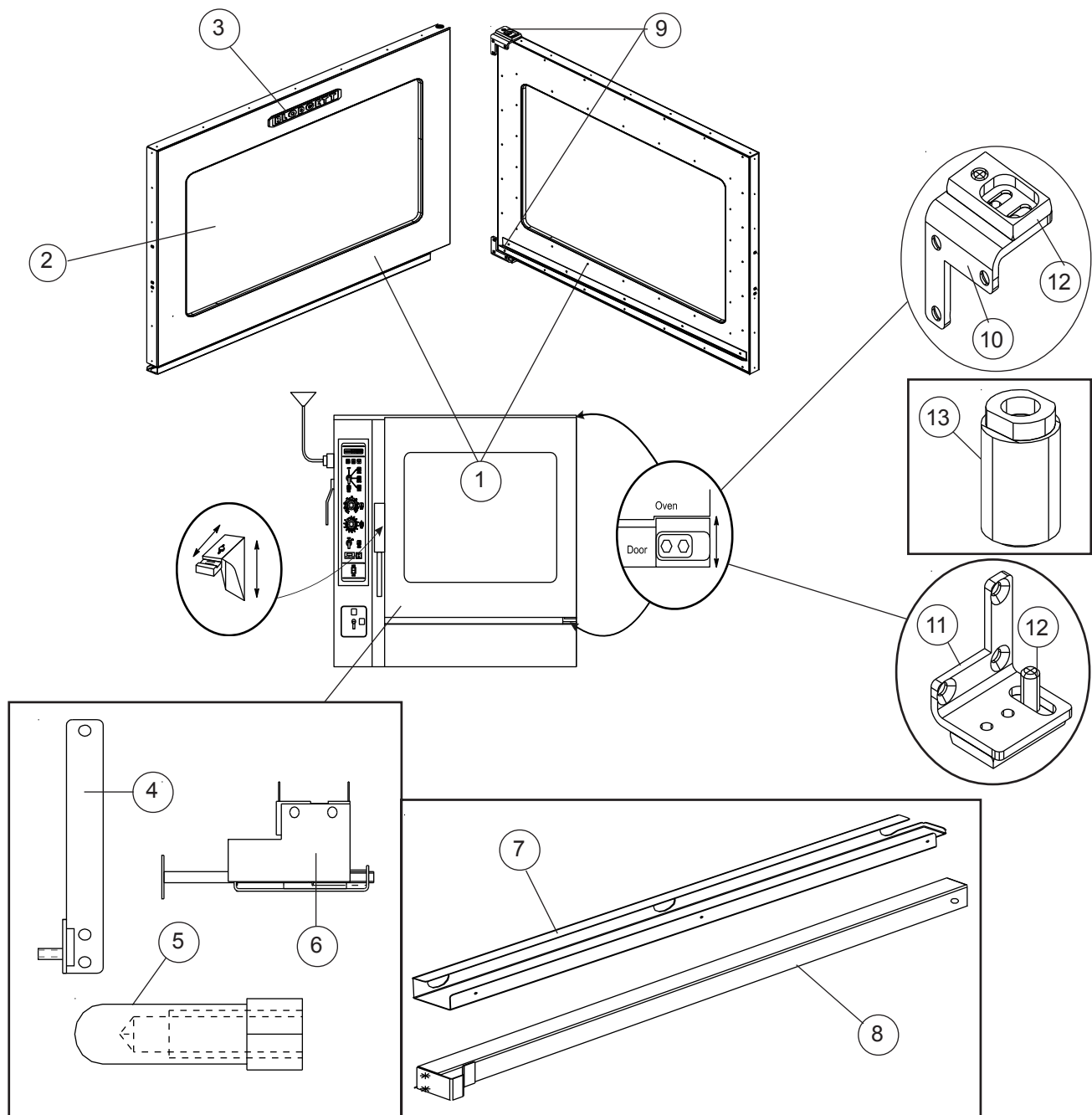
CNV DIGITAL CONTROL



Ref. No.	Part No.	Description
	R4872	Gasket, control panel (per foot)
3	R5686	Switch, mode 4 position
7	R1318	Indicator light, green Power On
	R7854	Conversion kit, time n' temp (from knob to push button)
	R7403	Controller, time n' temp (all push button)
	R6928	Sensor, time n' temp controller
11	R2792	Relay, DPST 240V

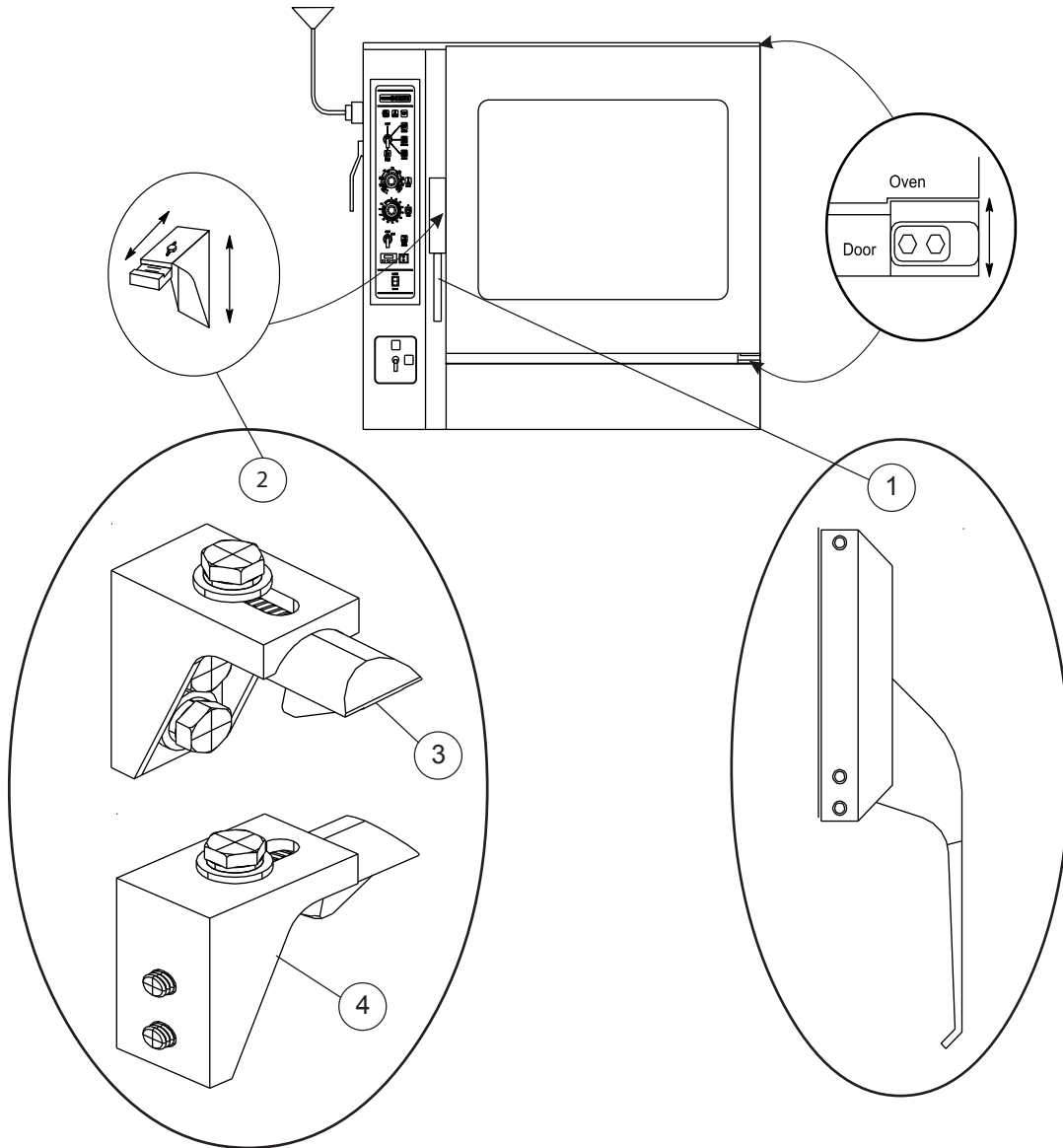
Ref. No.	Part No.	Description
12	R5242	Control, meat probe
13	R7198	Switch, meat probe
14	R5219	Connector, panel jack meat probe
15	R5315	Probe, meat plug in type
16	R6988	Suppressor, arc assy
	R5218	Harness, meat probe
	R5325	Wire, thermocouple 20 AWG
	R5391	Clip, meat probe

DOOR COMPONENTS



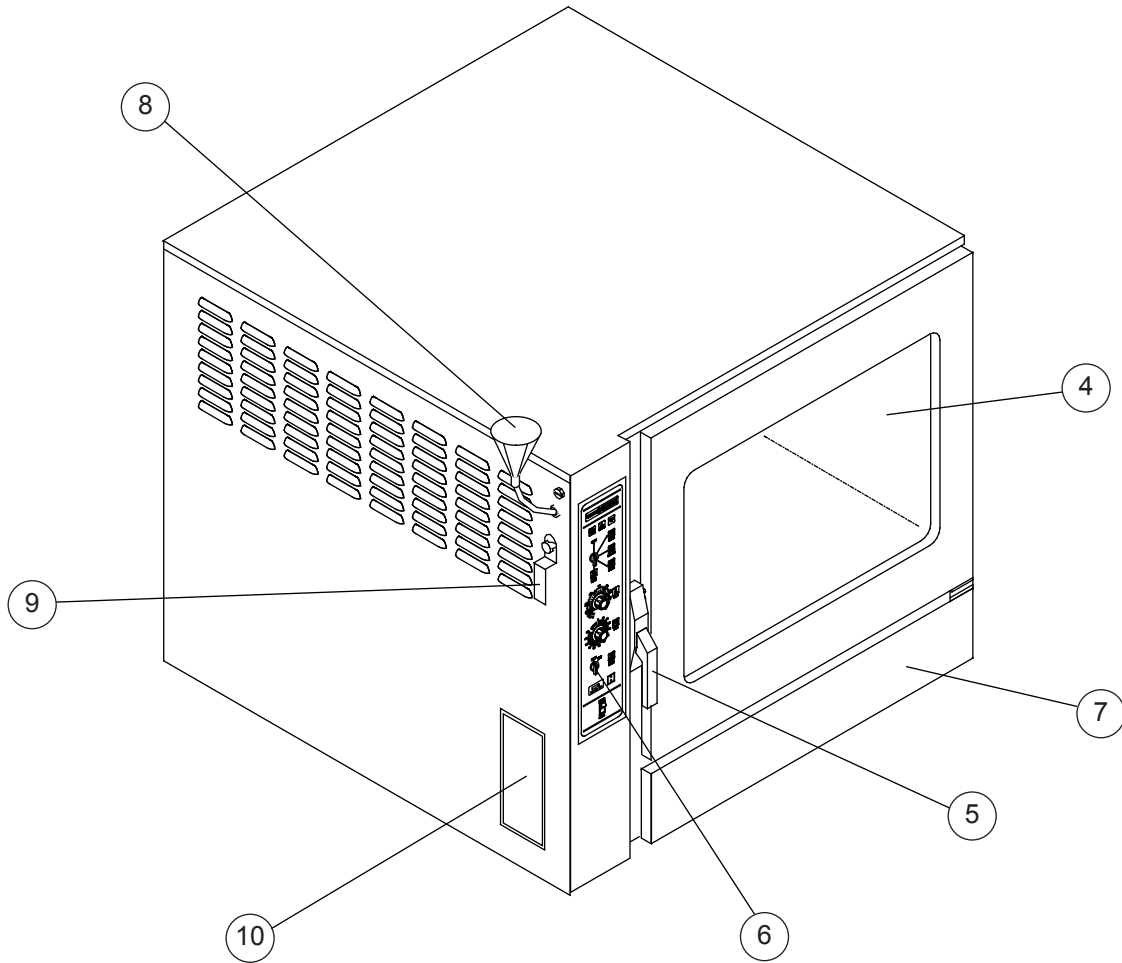
Ref. No.	Part No.	Description	Ref. No.	Part No.	Description
1	R3390	Door assy, RH hinge w/glass	5	R3990	Pin, door switch
	R7158	Door assy, RH hinge solid	6	R3628	Switch, micro door
2	R5797	Window, door	31485	Switch, door (CE only)	
	R2105	Gasket, window (per foot) (not shown)	4068	Grommet, door switch (not shown)	
	R0759	Rivet, monobolt 1/8 dia. x 3/8 long s/s (not shown)	R7808	Magnet, door switch (CE only)	
	R1278	Rivet, pop 1/8 dia. x 1/4 long s/s (not shown)	R7753	Cup, magnet door switch (CE only)	
3	90086	Nameplate, Blodgett 7-3/4 (not shown)	7	R3612	Holder, door trough
	R3695	Gasket, door perimeter (not shown)	8	R3615	Trough assy, door drip
	R3774	Plate, mounting gasket, horiz. (not shown)	9	R6867	Hardware kit, door hinge (contains parts below)
	R3775	Plate, mounting gasket, vert. (not shown)	10	R3382	Hinge, door top
	R2292	Washer, door height adjustment (not shown)	11	R3383	Hinge, door bottom
4	R3785	Bracket assy, door pin	12	R6220	Bracket, hinge pin
			13	R3397	Pin, hinge

DOOR HANDLE COMPONENTS



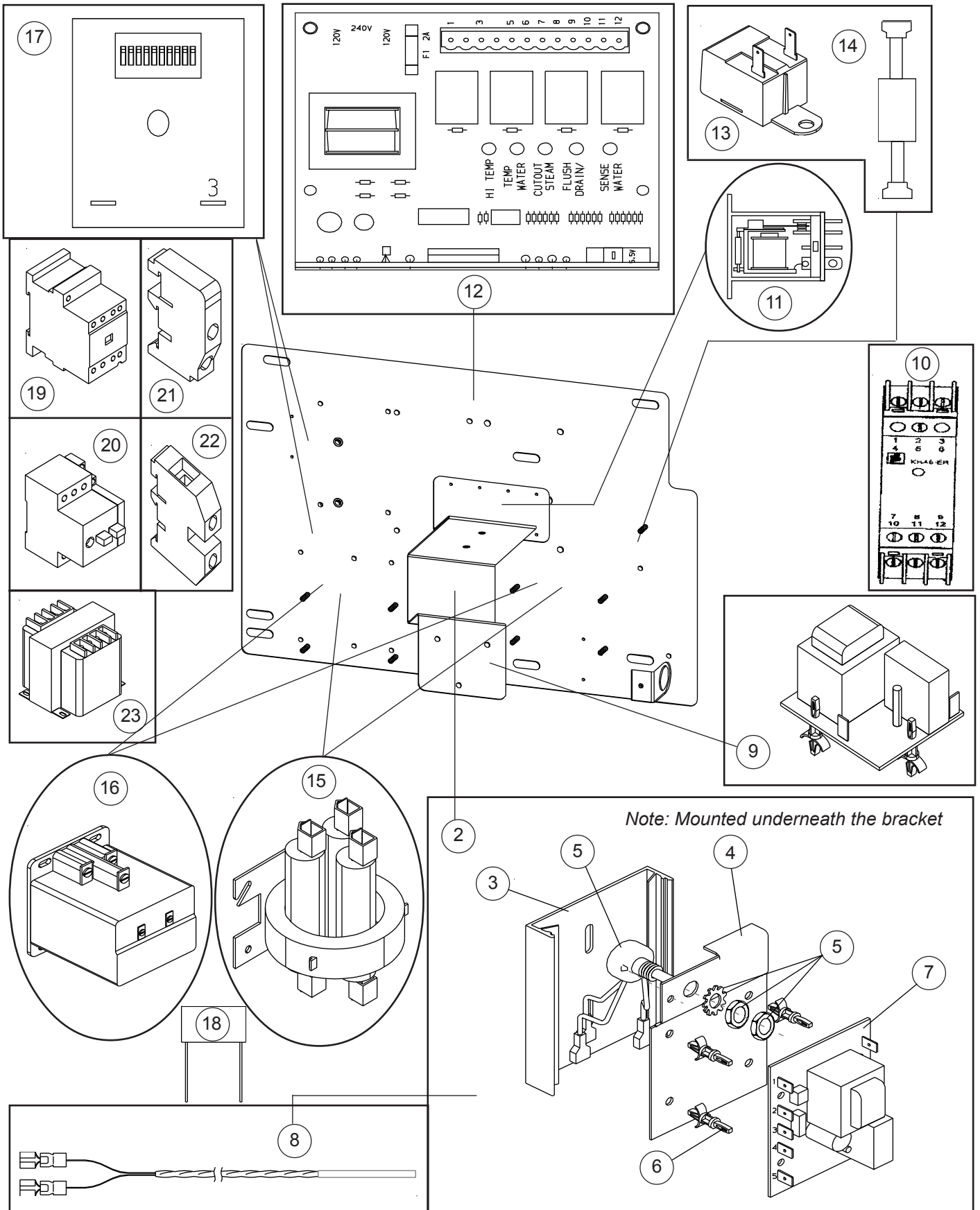
Ref. No.	Part No.	Description
1	R6313	Handle assy, door
	R6314	Screw, door handle
2	R2296	Catch assy, door (comprised of parts below)
3	R2780	Latch, door s/s
4	R2781	Catch, door s/s
	90086	Name plate, Blodgett

EXTERIOR COMPONENTS



Ref. No.	Part No.	Description	Ref. No.	Part No.	Description
4	R3390	Door assy, RH hinge w/glass	8	R3012	Funnel assy, delimiting (BCS & COS only)
	R7158	Door assy, RH hinge solid (COS)	9	R3654	Handle, delimiting port (BCS & COS only)
5	R6313	Handle, door		R1325	Cover, drain handle
6	Various	Control panel		R2998	Adapter, hose decalcifying (BCS & COS only)
7	R5834	Drip pan		R3011	Cap, decalcifying adapter (BCS & COS only)
	R5872	Tube, drip pan drain (per foot)	10	R5607	Panel, fuse access

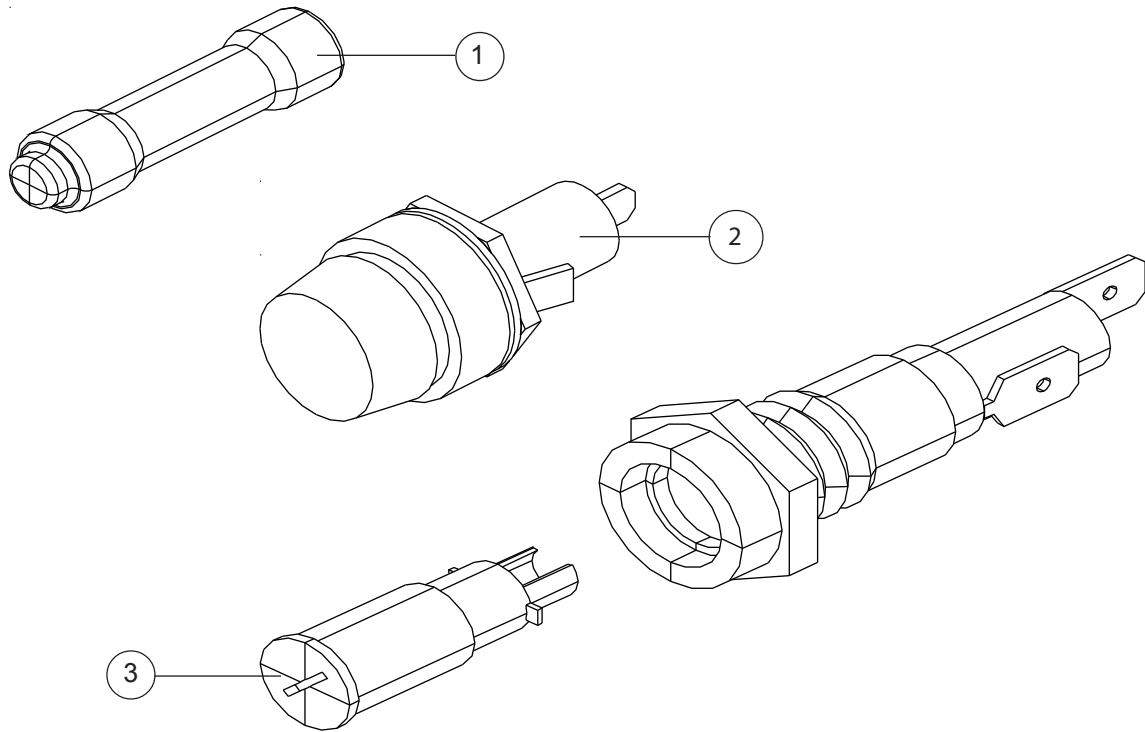
HARNESS & PANEL ASSEMBLY



HARNES & PANEL ASSEMBLY

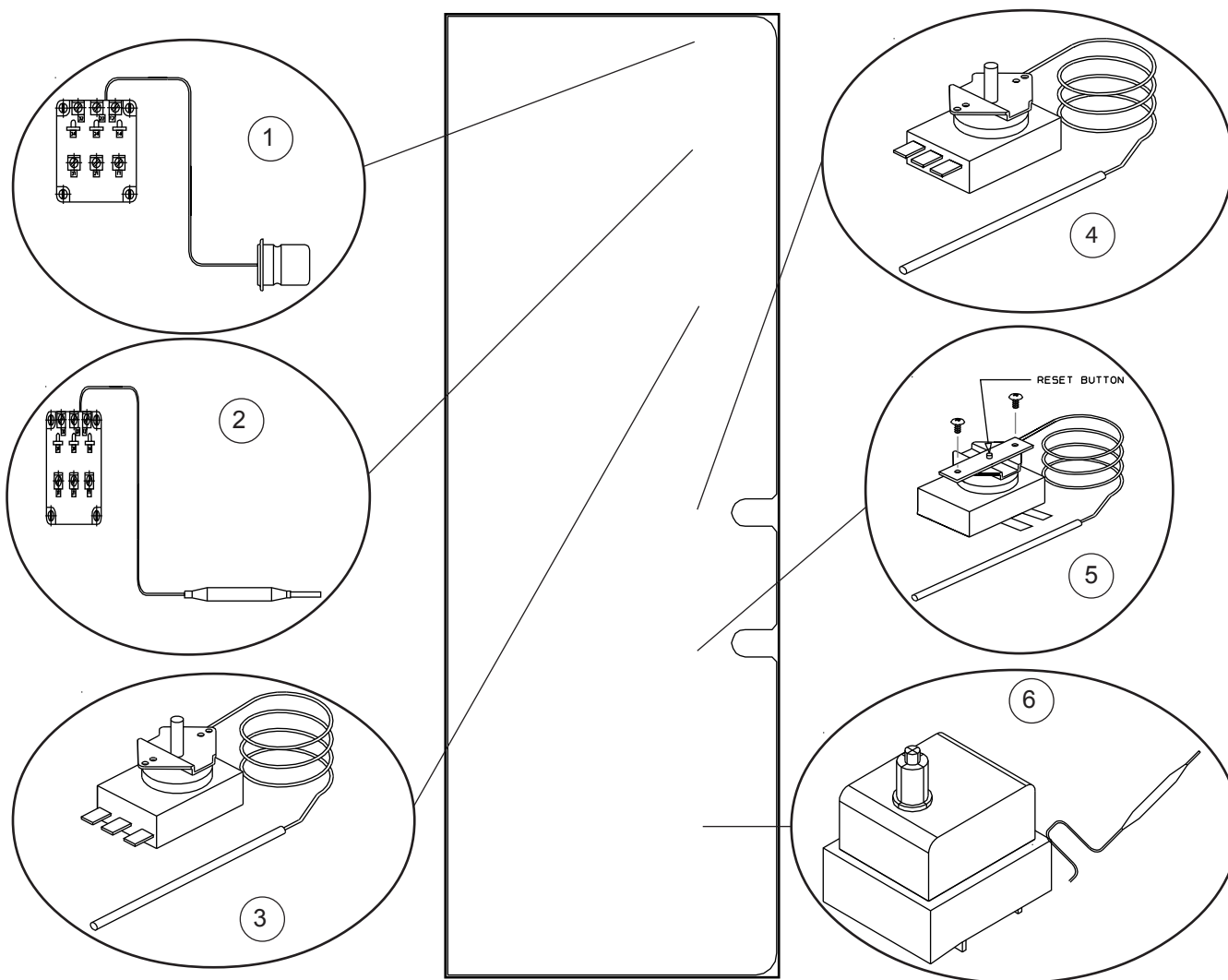
Ref. No.	Part No.	Description
2	R1443	Controller assy, steam P2 (comprised of parts below)
	Note:	Mounted underneath the bracket below the relay
4	R1442	Bracket, mouting temp controller
5	18234	Potentiometer, remote
7	20351	Controller, 8 pot hold w/spacers
3	R1440	Channel, mounting, plastic
6	18268	Spacer, nylon
8	R0022	Sensor, steam controller
9	R5708	Board, level control
	R5776	Retrofit kit, level sensing (from UE board w/5 orange relays)
11	R2792	Relay, 240V ice cube R1, R2, R3, R4
	Note:	Mounted on the front of the bracket
12	R6402	Timing board
	R7381	Standoff, male nylon
	R7382	Standoff, female nylon
13	R9498	Buzzer assy, w/resistor
14	R8724	Resistor only, buzzer assy
15	R2324	Contactora, mercury, 60 amp Hot Air/Steam K2/K3
16	38559	Contactora, mercury, 30 amp Hot Air/Steam K2/K3
17	R5305	Timer, solid state
18	R8218	Capacitor assy, suppressor
19	51693	Contactora, motor 240V
20	R2128	Protector, motor
21	R1580	End stop, terminal block
22	R1586	Block, terminal power
23	R2051	Transformer, 480/240V

FUSE OPTIONS & HARNESES



Ref. No.	Part No.	Description
1	R5773	Fuse, 1 amp (480V only)
	R5774	Fuse, 2 amp (480V only)
	R5755	Fuse, 5 amp
2	20442	Holder, fuse
3	M3167	Holder, fuse (CE only)
	R5930	Harness, wiring (BCS only)
	R2867	Harness, wiring 3ph supply, 208/240/415V
	R5484	Harness, wiring 208-415V
	R3940	Harness, wiring 208/415V 50hz
	R5488	Harness, wiring 480V
	R2872	Harness, wiring 1ph steam
	R1810	Harness, wiring 3ph steam, 208/240/415V
	R2991	Harness, wiring 3ph steam, 480V

THERMOSTATS



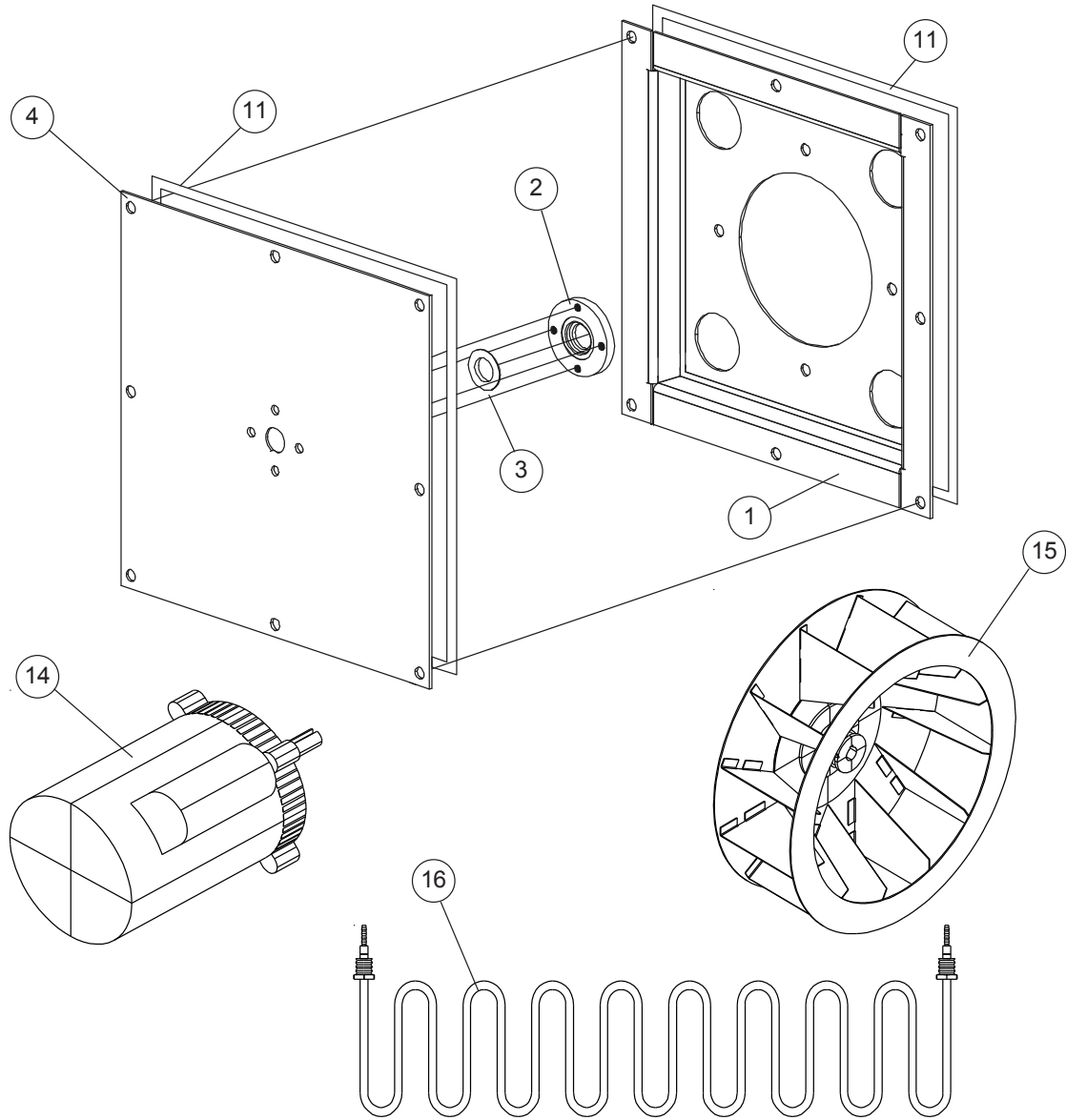
Ref. No.	Part No.	Description
1	R3662	Thermostat, cooling fan hi limit F7
2	R2801	Thermostat, Too hot to steam P1
3	R0118	Thermostat, Steam pre-heat priority P3
4	R3661	Thermostat, quench P4
	R3755	Gasket, thermostat P4
5	R1573	Thermostat, Cooking hi limit 670 degrees F3
	R5414	Grommet, thermostat
6	R2630	Thermostat, steam generator hi limit F6
	36441	Thermostat, 50hz

Note: *F7, P1 & F3 are located on bracket next to harness and panel assembly*

Note: *P3 & F6 are located on bracket on top of steam generator*

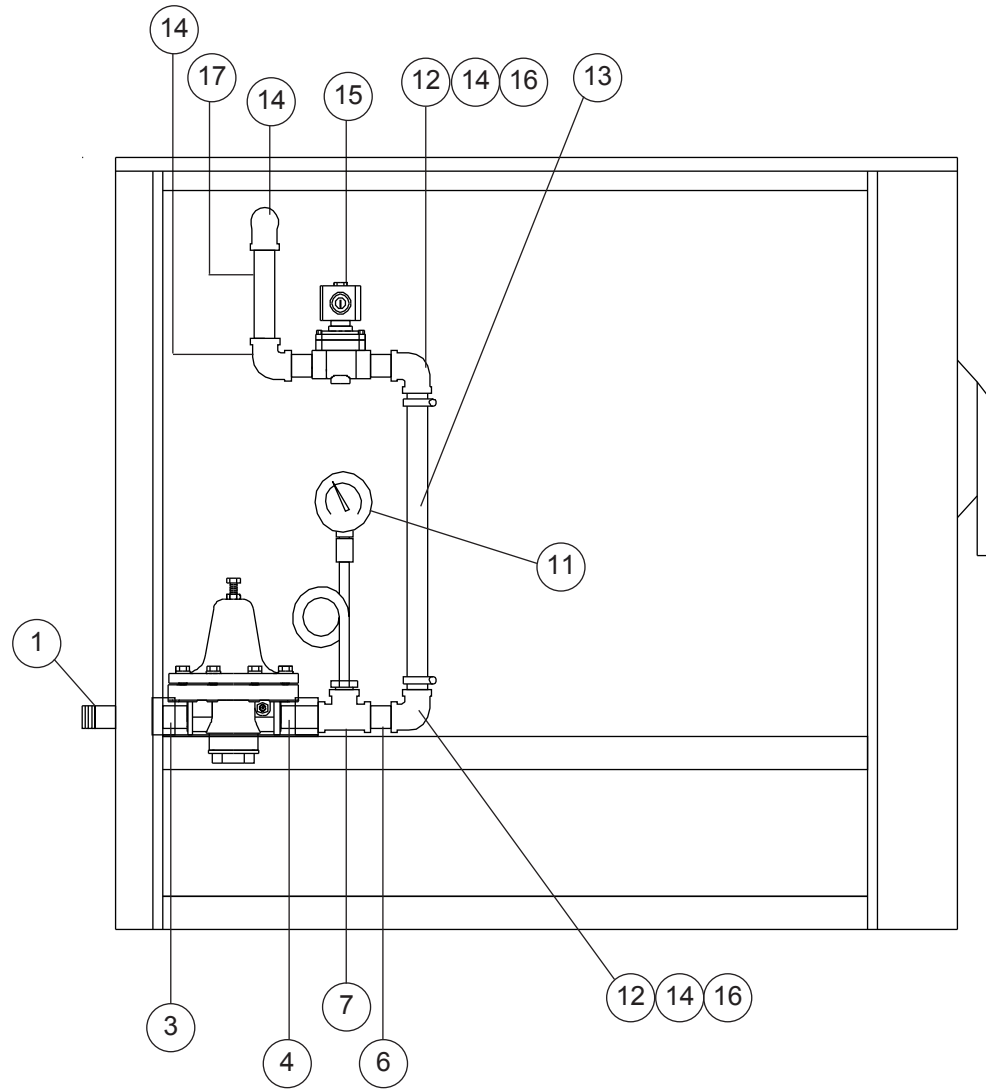
Note: *P4 is located on bracket next to drain pump under steam generator*

CONVECTION MOTOR COMPONENTS



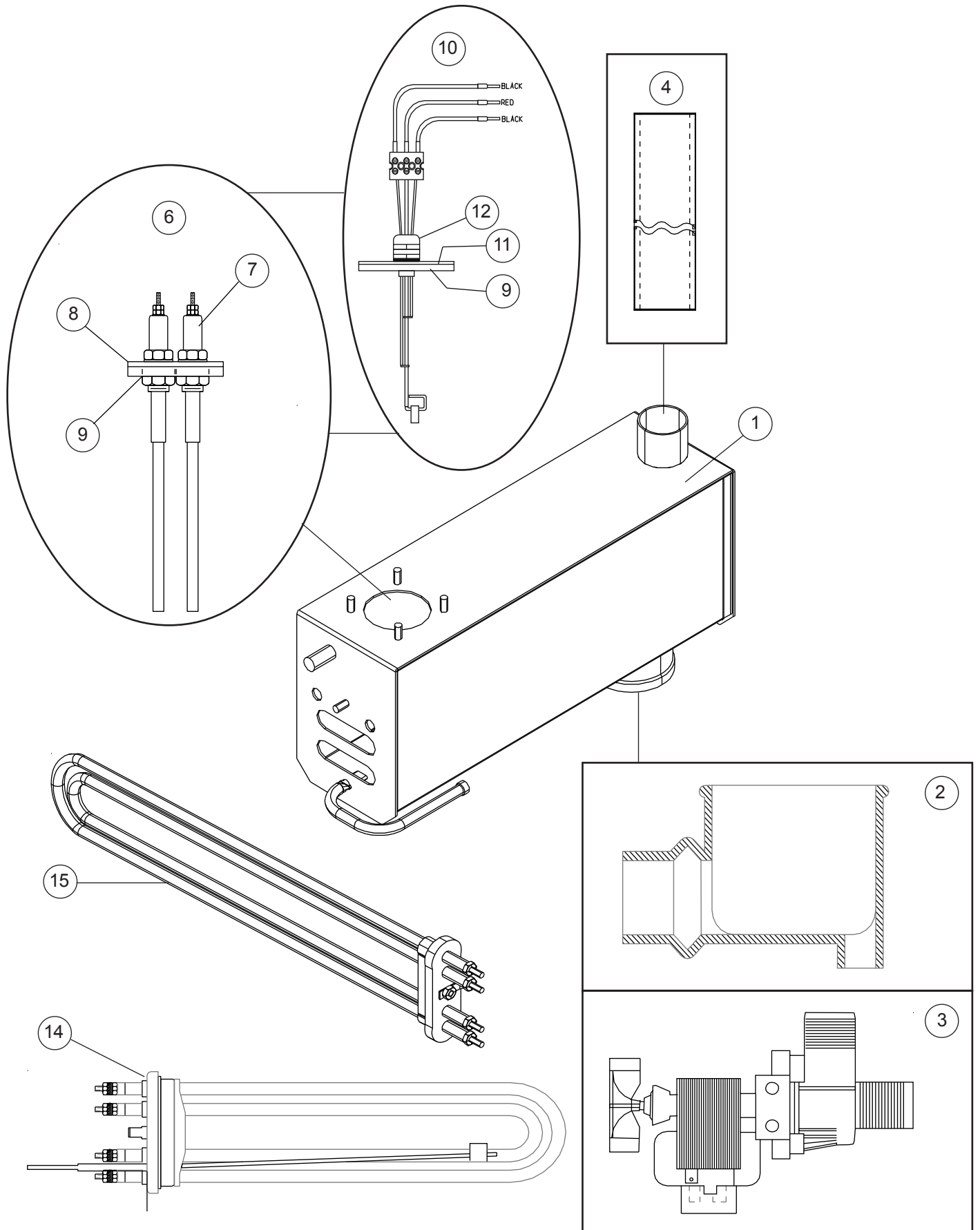
Ref. No.	Part No.	Description
1	R8154	Bracket, motor mount
2	R8955	Retainer, seal
3	R4244	Seal, motor shaft
4	R8205	Plate, insulation cover
11	R8423	Sealant, 1/4 x 3/16 goretex (per foot)
14	R5108	Motor, 1/2 hp 115/230V
	R4920	Motor, 1/3 hp 480V 3ph
15	R5081	Wheel, blower
16	R3649	Element, hot air 208V
	R3650	Element, hot air 240V
	R3651	Element, hot air 480V

DIRECT STEAM COMPONENTS



Ref. No.	Part No.	Description
1	R6289	Nipple, 3/4 NPT x 5" Brass
3	R8408	Pipe clamp
4	R7111	Nipple, 3/4 NPT x 4" Brass
6	R7144	Nipple, 3/4 NPT x 2" Brass
7	R6282	Tee, 3/4 NPT, Brass
11	R5956	Gauge
12	R7360	Hose adapter 3/4" hose ID x 3/4 NPT
13	R7406	3/4" ID Beverage hose (per inch)
14	R6285	Elbow, 3/4 NPT, brass
15	R6894	Valve, solenoid 3/4 NPT, 115V
16	R0254	Clamp, hose
17	R6287	Nipple, 3/4 NPT x 6" brass

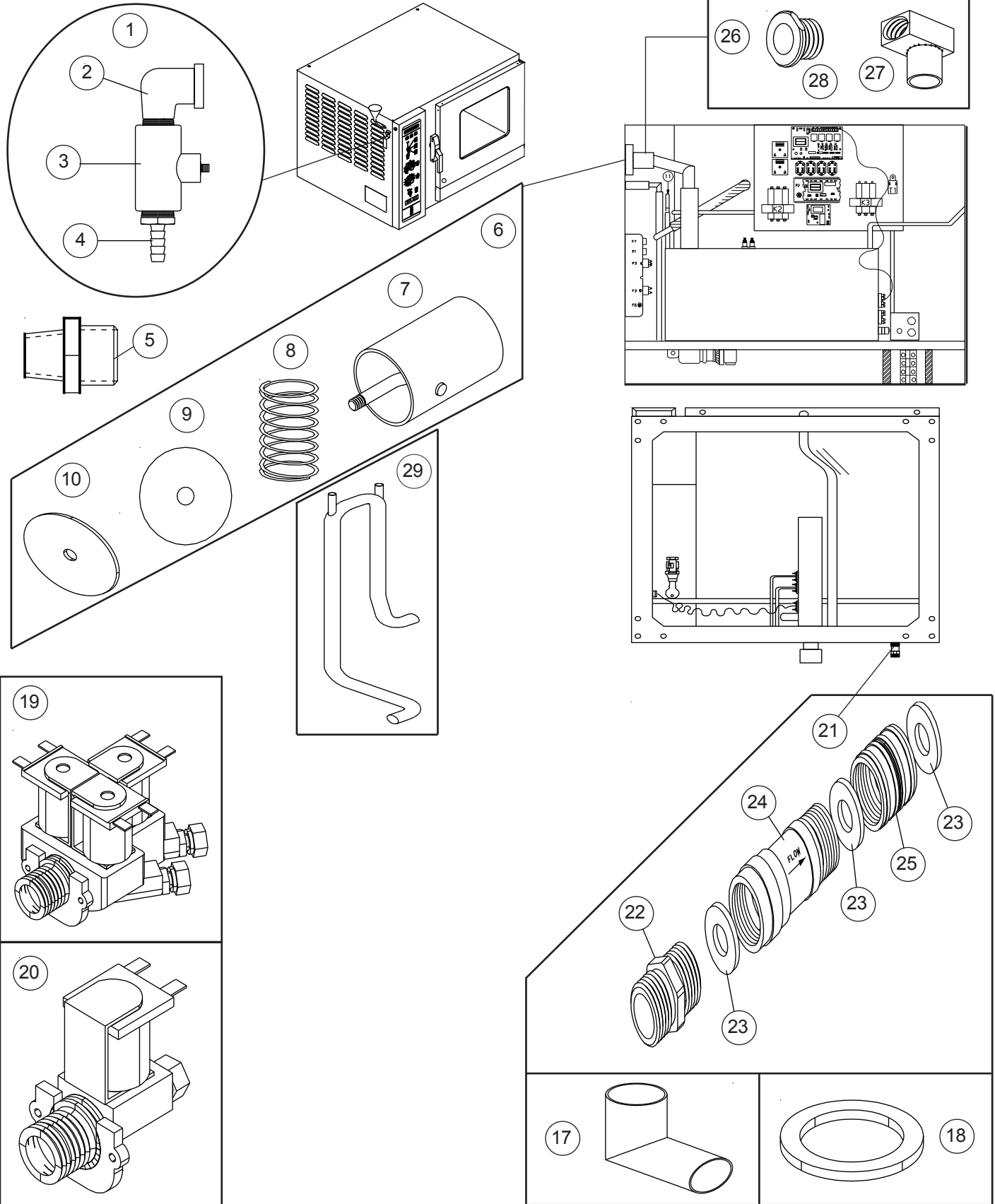
STEAM GENERATOR COMPONENTS



STEAM GENERATOR COMPONENTS

Ref. No.	Part No.	Description
1	R4822	Steam generator assy
	R4829	Insulation, steam generator
2	R2467	Boot, rubber drain
	R2487	Clamp, drain boot large
	R2624	Plug, drain boot
3	R2726	Pump, drain 60hz
	R7563	Pump, drain CE
	R6870	O'ring, drain pump
	R5690	Bracket, pump mounting
	R2927	Hose, pump outlet 7/8" ID (per foot)
	R0254	Clamp, hose plumbing 7/8"
4	R2814	Hose, steam transfer 1-1/4" ID (per foot)
	R0082	Clamp, plumbing 1-1/4"
6	R6965	Probe assy, dual level sensing (used w/Warrick Board)
7	R5361	Probe only, level sensing
8	R5343	Plate, level sensing
9	R1491	Gasket, switch level
	R2111	Nut, 5/8-18 bulk head, level switch
10	R3142	Probe, level sensing, "J" hook, 3 wire (used w/UE Board)
11	R2926	Plate, "J" hook probe
12	R2843	Probe only, "J" hook
14	R7180	Element, steam 208V w/thermocouple
	R7182	Element, steam 240V w/thermocouple
	R7184	Element, steam 480V w/thermocouple
15	R2768	Element, steam 208V
	R2771	Element, steam 240V
	R7187	Element, steam 380/220V
	R7723	Element, steam 400/230V
	R2770	Element, steam 480V
	R1829	Harness, boiler ground

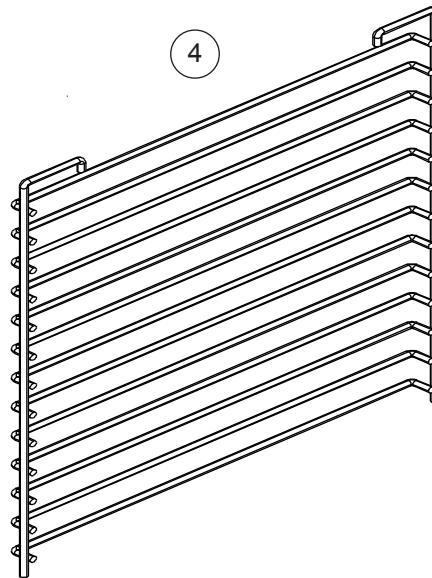
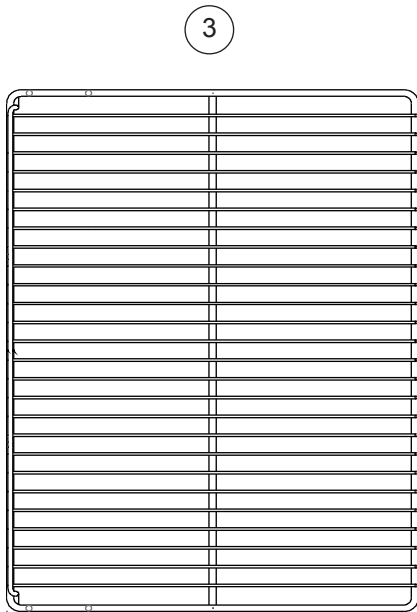
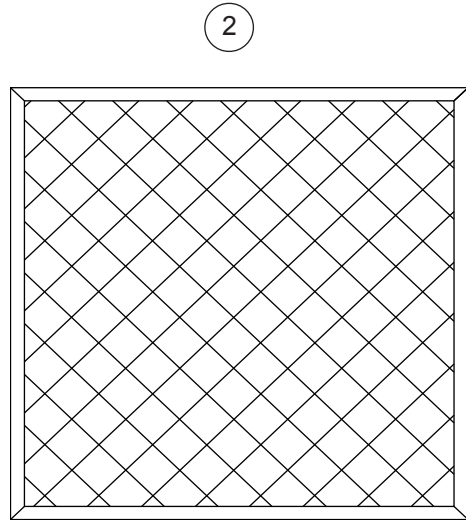
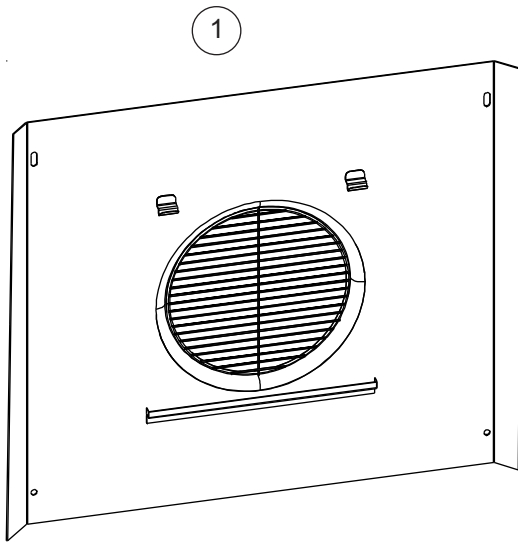
PLUMBING COMPONENTS



PLUMBING COMPONENTS

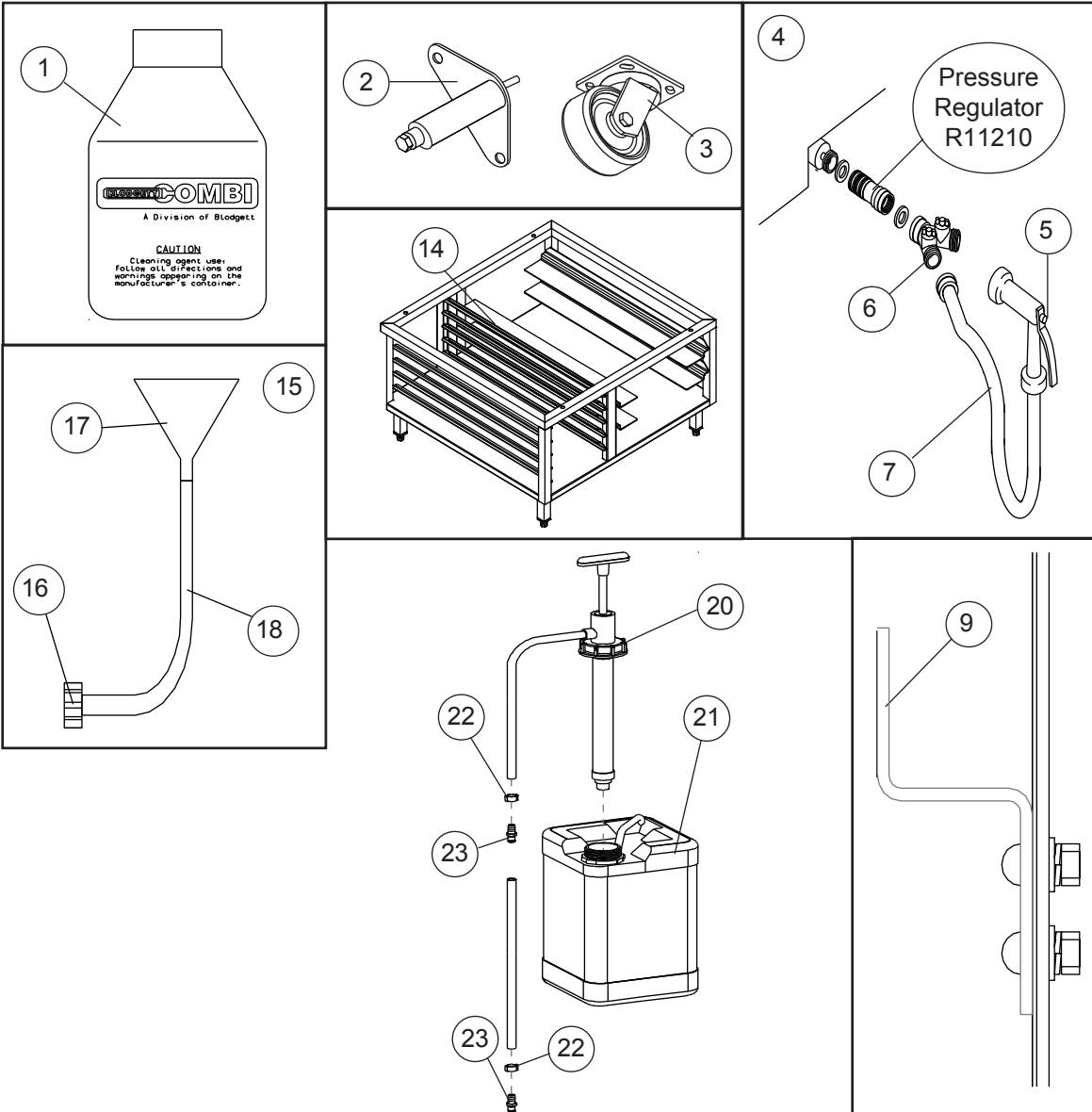
Ref. No.	Part No.	Description
1	R3155	Valve assy, decalcifying (comprised of parts below)
2	R1928	Elbow, street 1/2 NPT
3	R1142	Valve, ball
4	R1198	Fitting, barb 3/8 x 1/2
5	R2998	Adapter, hose decalcifying
	R3079	Gasket, decalcifying inlet
	R3654	Handle, decalcifying valve
	R1325	Cover, drain handle
	R3011	Cap, decalcifying valve
	R11008	Hose, decalcifying 3/8 ID (5 feet)
6	R4891	Overpressure assy, steam (comprised of parts below)
7	R7581	Outlet assy, steam
8	R7575	Spring, pressure relief
9	R2657	Gasket, pressure relief
10	R7570	Cover, pressure relief
11	R7397	Quench assy (except CNV & Direct Steam)
	R4242	Nozzle assy, quench
14	R3640	Elbow, 1/4 brass NPT 90
16	R1198	Fitting, barb 3/8 x 1/2
17	R5644	Elbow, drain
18	R2868	Gasket, cavity drain
19	R5079	Solenoid valve assy, triple 208/240V
	R6894	Solenoid valve assy, dual 208/240V (CNV only)
	R5077	Valve body, solenoid triple
	R3975	Fitting, .125 NPTX .38 Comp
20	R5078	Solenoid valve assy, single 208/240V
	R5075	Coil, solenoid valve 208/240V
	R5076	Valve body, solenoid single
21	R11210	Regulator, pressure
22	R7978	Fitting, 3/4 hose, male
23	R7750	Washer, garden hose
25	R7813	Coupling, 3/4G x 3/4G brass
26	R7050	Venturi assy (comprised of parts listed below)
27	R1317	Elbow assy, venturi
28	R0640	Fitting, straight 1-3/32
	R0729	Washer, flat 13/16
29	R7510	Tube, trap
	R1088	Hose, steam transfer, green, 7/8" ID (per foot)
	R6328	Tube, flex 3/8 x 18"
	R6330	Tube, flex 3/8 x 36"
	R6331	Tube, flex 3/8 x 72"

INTERIOR COMPONENTS



Ref. No.	Part No.	Description
1	R9270	Baffle assy
2	R3760	Grease filter
3	R3664	Rack, wire s/s
4	R4409	Supports, rack

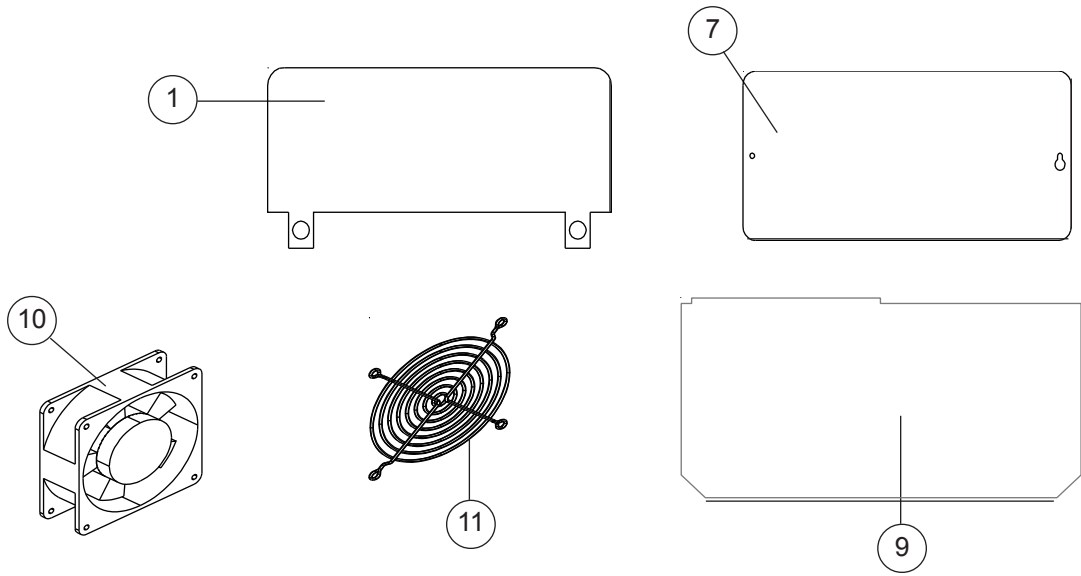
ACCESSORIES



Ref. No.	Part No.	Description
1	R10955	Bottle, pressure spray
	R6332	Repair kit, spray bottle (nozzle repair only)
2	R3109	Leg set, 4" s/s w/feet
	8600	Leg set, 6" s/s w/feet
	R2899	Leg set, 25" s/s w/feet
	R5455	Leg set, stands
	R5456	Leg set, stands, seismic
3	R6308	Caster kit, low profile
	R3112	Caster kit, 5"
	R5454	Caster kit, stands ACS-18 & ACS-31
	R10899	Hose, spray and nozzle assy 10'
5	R10888	Nozzle, spray
6	R0376	"Y" fitting
7	R0469	Hose, 8' w/fittings

Ref. No.	Part No.	Description
9	R5392	Hook, hose
	R5453	Stand, ACS-22-8
15	R3012	Funnel assy, delimiting (comprised of parts below)
16	R2999	Fitting, swivel decalcifying
17	R3000	Funnel, decalcifying
18	R7886	Tube, 3/8 ID
20	R8860	Hand pump assy
21	R8861	Bottle, delimiting
22	R8875	Clamp, hose
23	R8084	Fitting, male hose, barbed
	R8501	Tubing, 1" ID PVC Food Grade (per foot)
	R7835	Coupling, Fernco 1-1/2 (black)
	R9048	Side shield, SS-6 w/hardware

BODY BACK & BOTTOM OPTIONS



Ref. No.	Part No.	Description
1	R5384	Shield, fan s/s
	R5312	Shield, fan ALCT
7	R5356	Cover, thermostat access s/s
	R3161	Cover, thermostat access ALCT
9	R4264	Panel, access body bottom
10	23034	Fan, 230V 4" axial
11	M0571	Guard, 4" axial fa