



XR8 SERIES GAS & ELECTRIC ROTATING RACK CONVECTION OVENS REPLACEMENT PARTS LIST



EFFECTIVE JUNE 8, 2012

Superseding All Previous Parts Lists.

The Company reserves the right to make substitution in the event that items specified are not available.

ERRORS: Descriptive and/or typographic errors are subject to correction.

BLODGETT OVEN COMPANY

44 Lakeside Avenue, Burlington, Vermont 05401 USA Telephone: (802) 658-6600 Fax: (802) 860-3732
www.blodgett.com

P/N 54780 Rev B

SERIAL NUMBER LOCATION / KEY:

***IMPORTANT:** When ordering parts, please provide the model, gas type and serial number of the oven. The identification plate is located behind the control panel. To access, remove the two screws on the right side of the control panel. Pull the control panel toward the right side of the oven. Then pull away from the oven and rotate out.*

SERIAL NUMBER IDENTIFICATION CODE:

DG = XR8-G GAS ROTATING RACK CONVECTION OVEN

DL - XR8-E ELECTRIC ROTATING RACK CONVECTION OVEN

SERIAL NUMBER EXAMPLES

071907DG027Z

07/19/07 = DATE

DG = LETTER CODE FOR XR8-G

001 = FACTORY SEQUENCE

PLEASE NOTE THAT THE SERIAL NUMBERS

ON THE XR8 ARE ONLY 12 DIGITS LONG!!!

TO OBTAIN LITERATURE:

Email: literature@blodgett.com

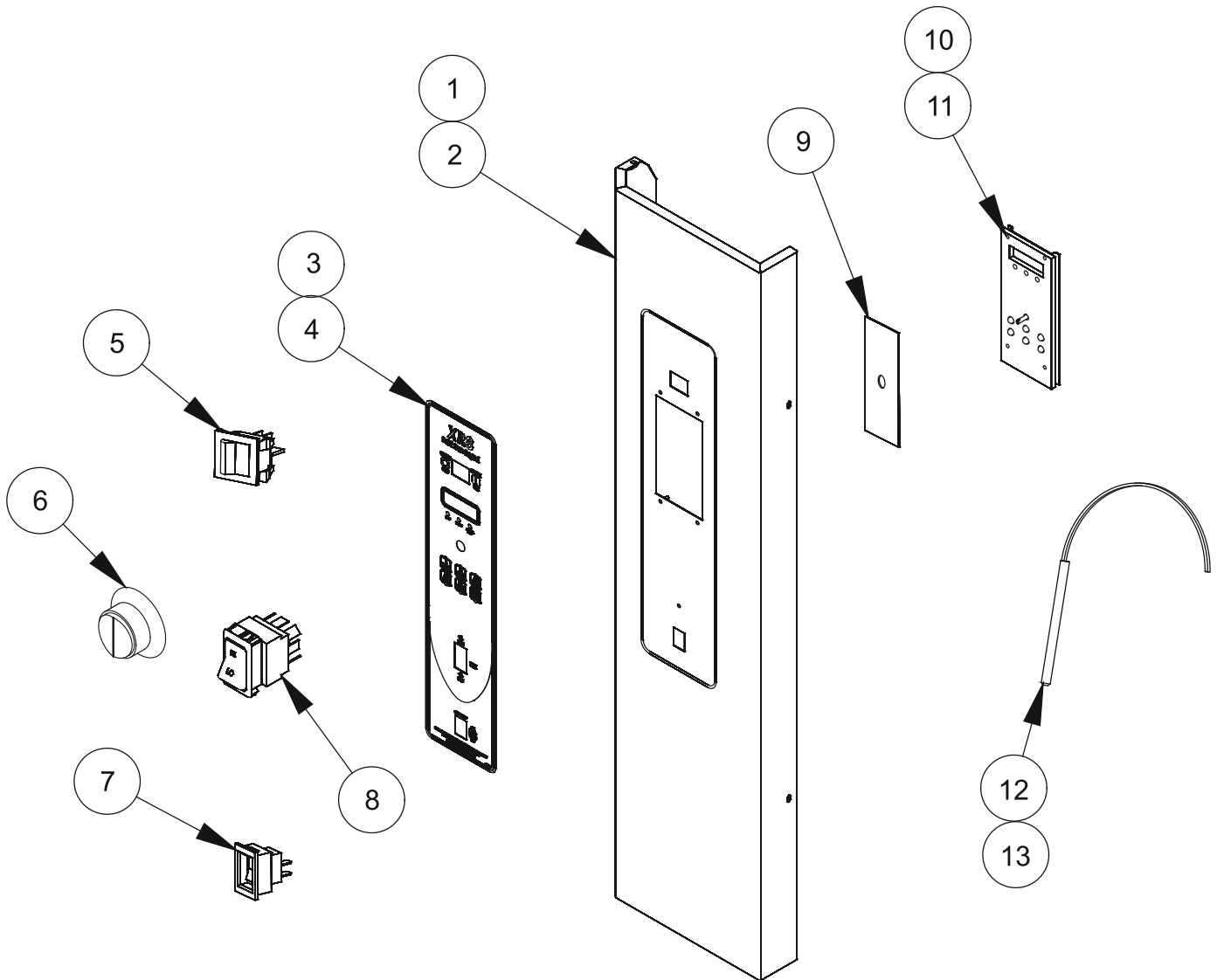
or visit

www.blodgett.com

TABLE OF CONTENTS

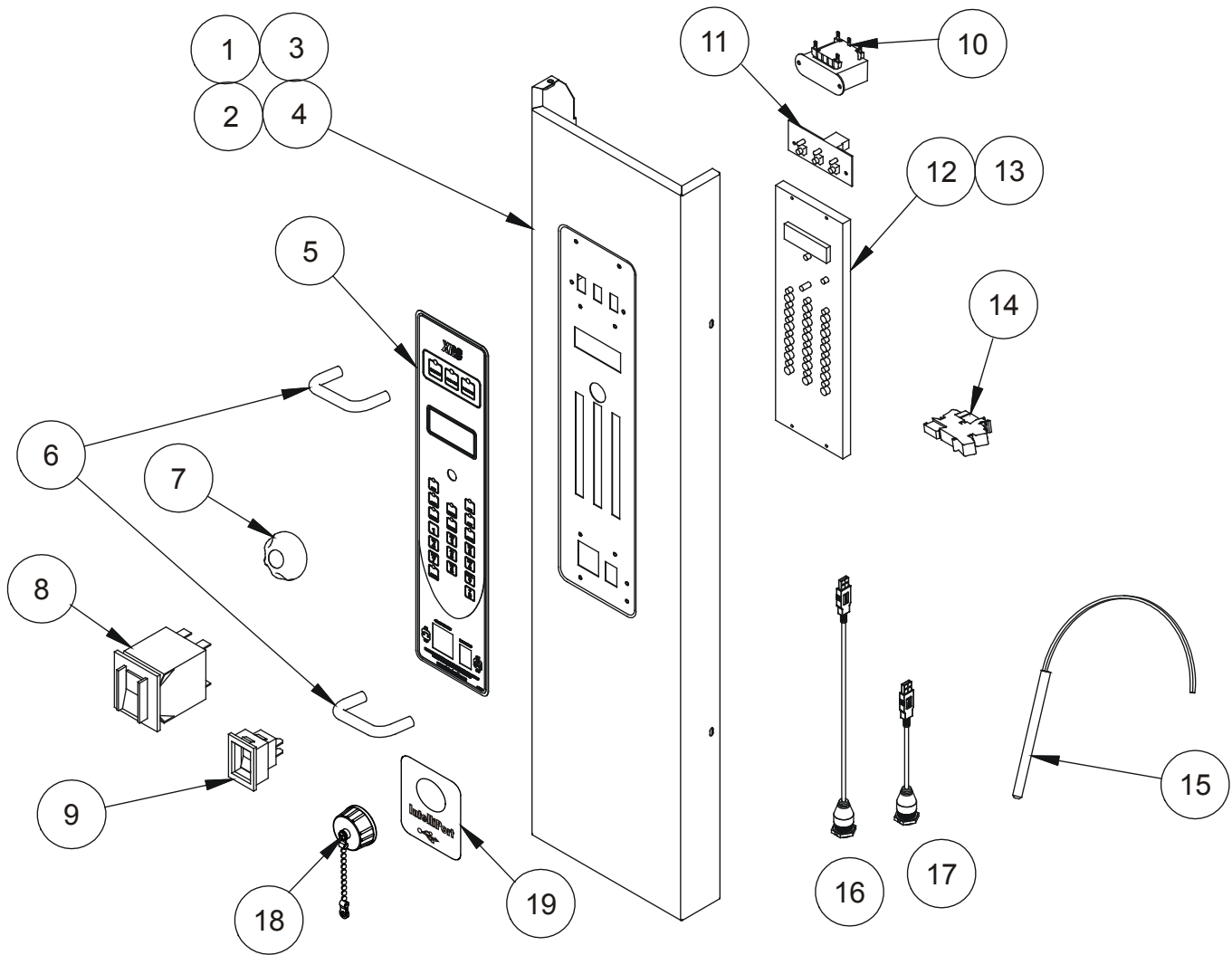
SOLID STATE CONTROLS	PAGE 4
MENUSELECT CONTROLS	PAGE 5
ELECTRICAL COMPARTMENT	PAGE 6
HOT AIR SYSTEM	PAGE 7
GAS TRAIN COMPONENTS	PAGE 8
STEAM SYSTEM	PAGE 9
INTERIOR ITEMS	PAGE 10
DOOR COMPONENTS.....	PAGE 11
CAROUSEL DRIVE SYSTEM	PAGE 13
ACCESSORIES.....	PAGE 14

SOLID STATE CONTROLS



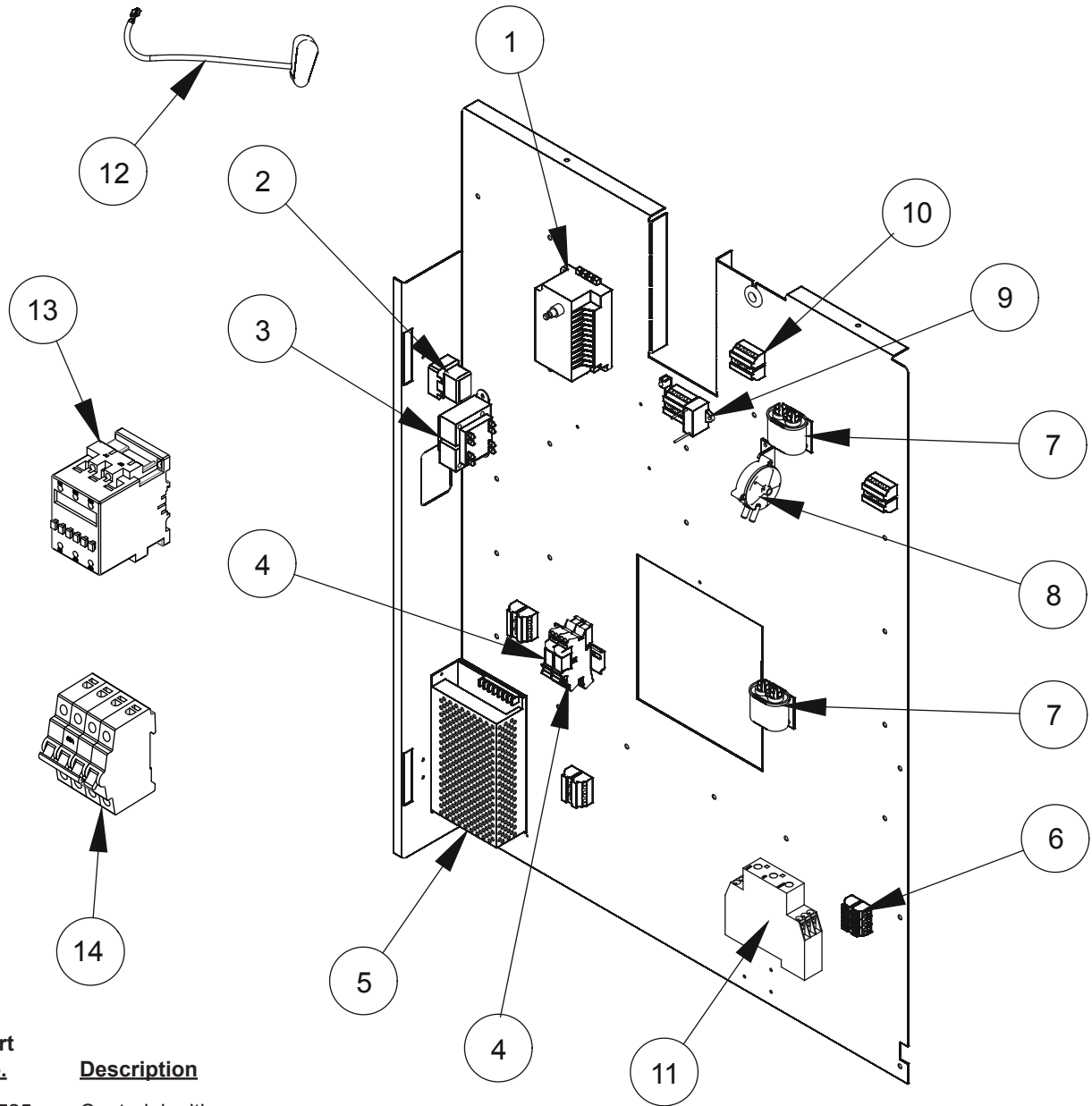
<u>Ref. No.</u>	<u>Part No.</u>	<u>Description</u>
1	38483	Control panel, for ovens manufactured before 07-19-2007
2	50797	Control panel, for ovens manufactured after 07-19-2007
3	38482	Decal, single speed blower
4	51752	Decal, two speed blower
5	19619	Switch, power on/off
6	36617	Control knob
7	36376	Switch, gas on/off
8	20530	Switch, blower (2 speed only)
9	24725	Silicone spacer
10	50785	Control upgrade kit for ovens manufactured before 03-20-2007 (includes probe item #13)
11	38506	Control, solid state for ovens manufactured after 03-20-2007
12	50787	Probe, 100K or ovens manufactured before 03-20-2007
13	50786	Probe, 1K for ovens manufactured after 03-20-2007
	38607	Wiring harness, 1 speed
	51751	Wiring harness, 2 speed
	51976	Complete control panel assy, 1 speed for ovens manufactured after 07-19-2007 (includes all items except probe)
	50844	Complete control panel assy, 2 speed (includes all items except probe)

MENUSELECT™ CONTROLS



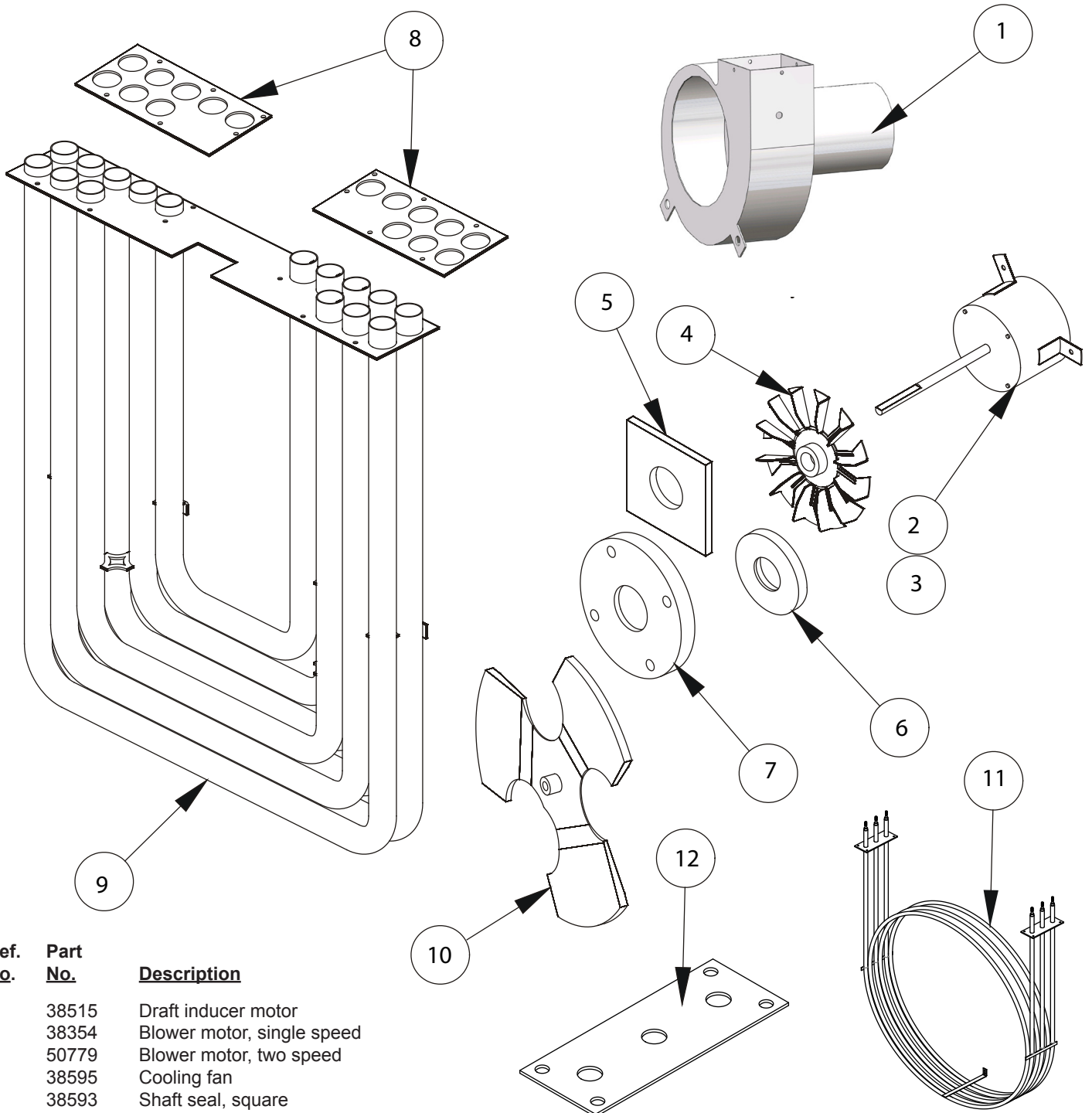
Ref. No.	Part No.	Description	Ref. No.	Part No.	Description
1	38949	Control panel, for ovens manufactured before 07-19-2007	14	38604	Relay, 24 VDC DPDT (qty of 6 in oven)
2	50536	Control panel, for ovens manufactured after 07-19-2007	15	50786	Probe, 1K
3	52699	Control panel, complete for Dunkin Donuts	16	52647	USB cable, 36" (for ovens built after 1-08-10)
4	50665	Complete control panel assy	17	52160	USB cable, 18" (for ovens built before 1-08-10)
5	38693	Control decal	18	52161	Protective cap, USB
6	R4413	Handle	19	52269	Decal, USB
7	51372	Knob		39998	Thermistor, 5 ohm
	50986	Decal, "PRESS TO ENTER"		39529	Harness, high voltage
8	36429	Circuit breaker		39533	Harness, low voltage
9	36376	Switch, gas on/off		52926	Flash drive, USB, 2GB (2 gigabyte)
10	20356	Transformer, 115/230 to 24V			
11	39122	Board, 3 button			
12	53382	Control, Menuselect™			
13	52693	Control, VFD, Dunkin Donuts only (for ovens built after 1-08-10)			
	53300	Control, VFD, Dunkin Donuts only (for ovens built before 1-08-10)			

ELECTRICAL COMPARTMENT



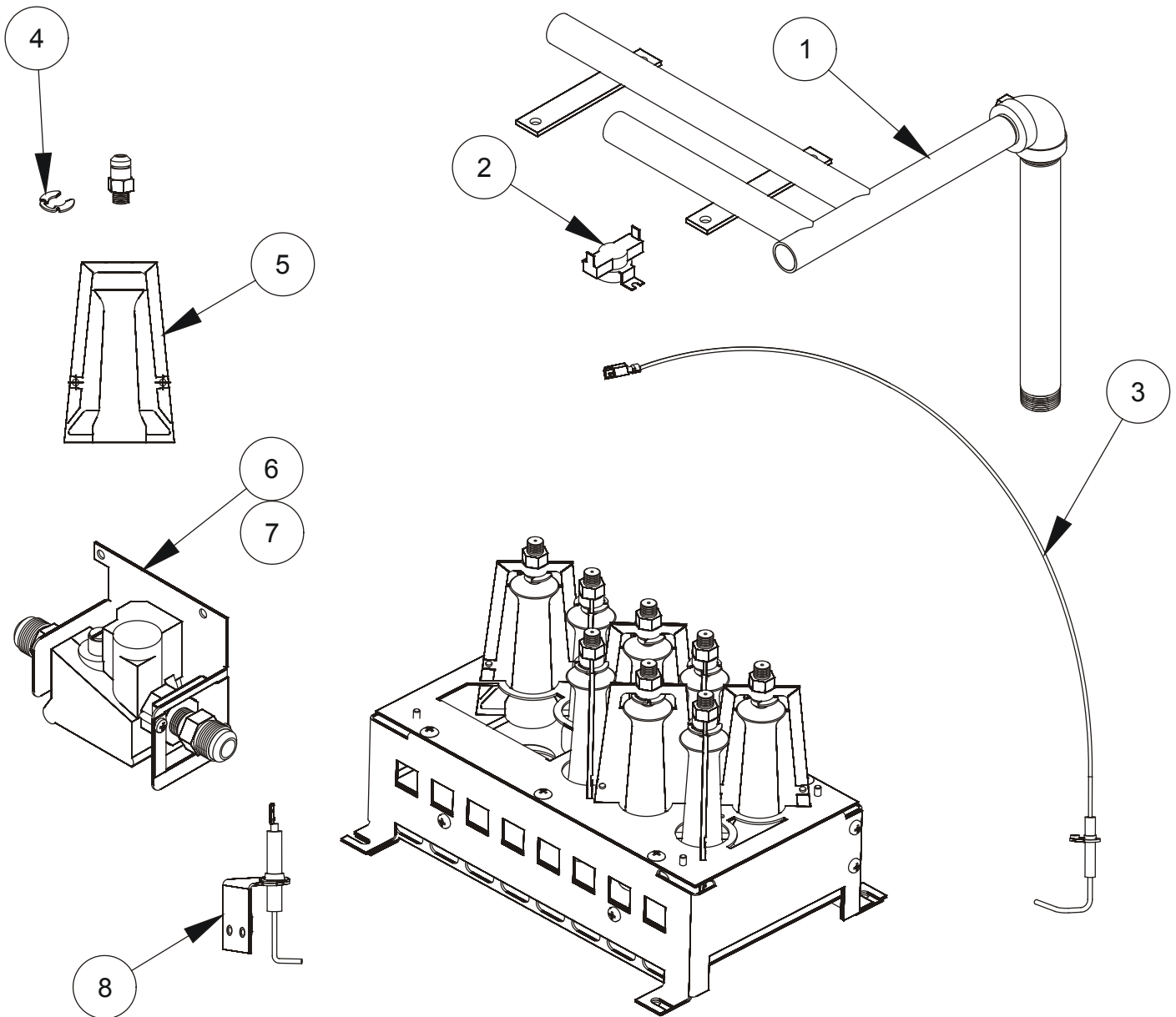
<u>Ref. No.</u>	<u>Part No.</u>	<u>Description</u>
1	54725	Control, ignition
2	36441	Thermostat, high limit
3	36700	Transformer, 115/230V-24V
4	38604	Relay, 24VDC DPDT
5	52946	Power supply, 24VDC
	M3166	Fuse, power supply
6	38605	Terminal block, incoming power
7	38610	Capacitor, electrolytic
8	M9422	Pressure switch
9	38609	Capacitor, rack motor
10	R11255	Terminal block, 3 pole (qty of 5 in oven)
11	39784	Relay, timing
12	36605	Spark wire
13	53472	Contactor, 240V
13	53473	Contactor, 208V
13	54153	Contactor, 480V
14	39804	Circuit Breaker, 208V or 240V
14	39113	Circuit Breaker, 480V

HOT AIR SYSTEM



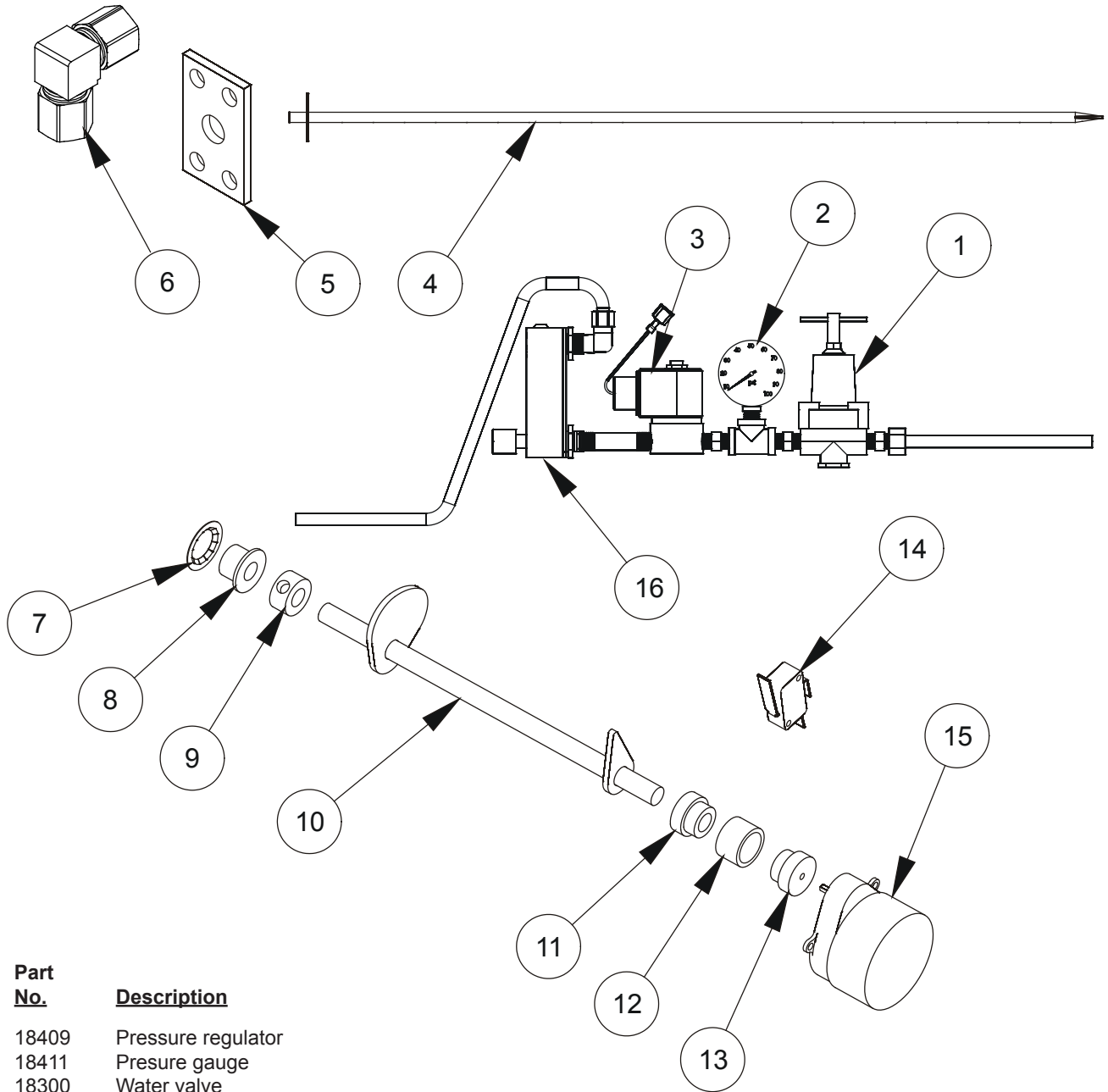
Ref. No.	Part No.	Description
1	38515	Draft inducer motor
2	38354	Blower motor, single speed
3	50779	Blower motor, two speed
4	38595	Cooling fan
5	38593	Shaft seal, square
6	39640	Shaft seal, round
7	39641	Shaft seal retainer
8	38416	Gasket, heat exchanger
9	38348	Heat exchanger
10	38411	Fan blade
11	53221	Element, 208V 18 KW
	53222	Element, 240V 18KW
	53564	Element, 480V 18KW
	53543	Element, 208V, 15KW (Dunkin Donuts only)
	53375	Element, 240V, 15 KW (Dunkin Donuts only)
	53563	Element, 480V, 15 KW (Dunkin Donuts only)
12	53327	Element Gasket

GAS TRAIN COMPONENTS



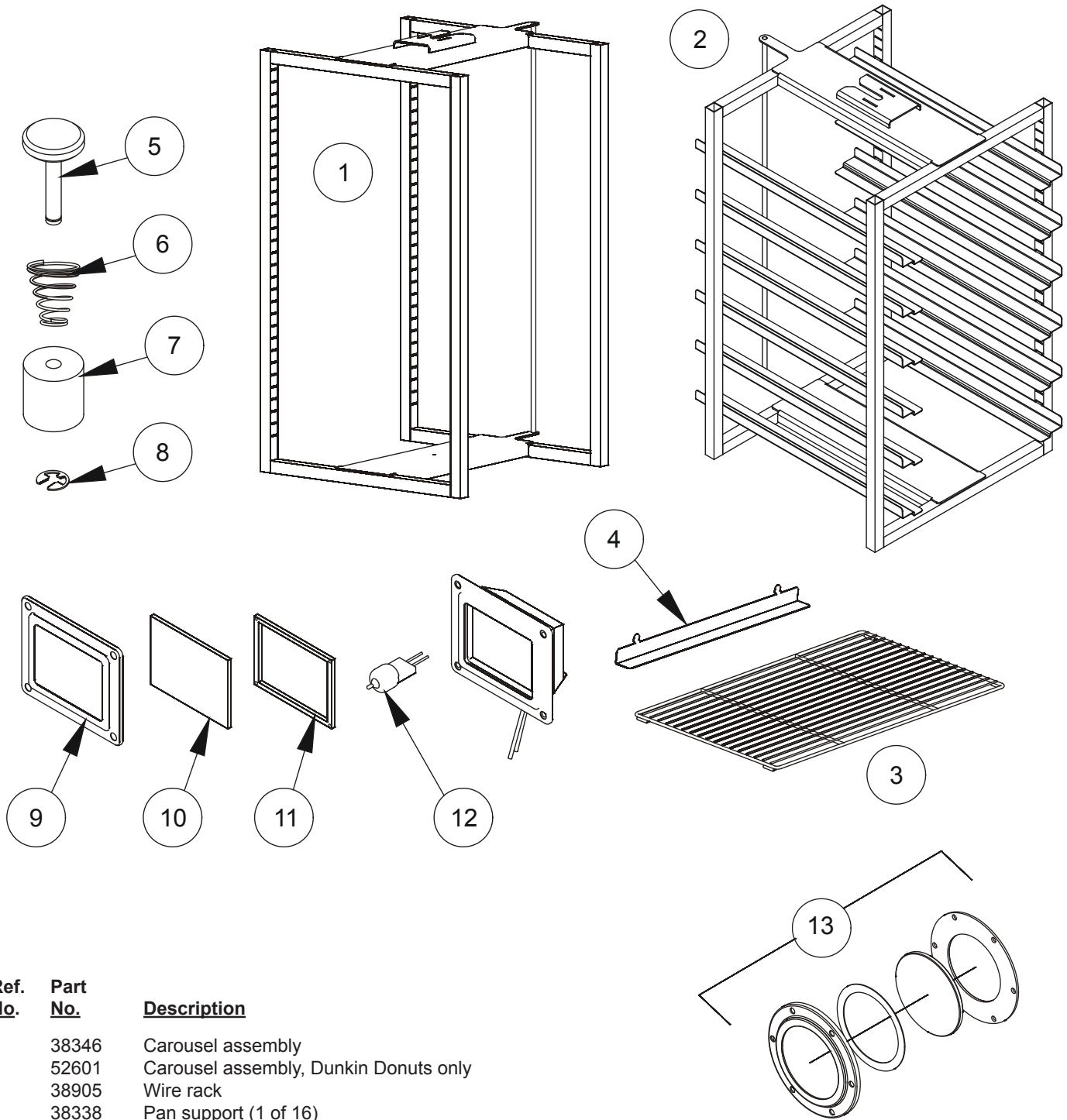
Ref. No.	Part No.	Description
1	38433	Manifold assembly
2	22724	High limit switch
3	39831	Electrode, flame sense
4	38964	Orifice retaining ring
5	38566	Burner, inshot
6	38742	Valve, natural gas
7	38743	Valve, LP gas
8	51633	Ignitor assembly
	38962	Burner assembly, natural gas (includes all items above except gas valve)
	38966	Burner assembly, LP gas (includes all items above except gas valve)
	36605	Spark wire

STEAM SYSTEM



Ref. No.	Part No.	Description
1	18409	Pressure regulator
2	18411	Pressure gauge
3	18300	Water valve
4	38382	Steam tube
5	38390	Steam tube gasket
6	R8986	Fitting, 90 degree
	52178	Kit, steam tube
7	38584	Bushing retainer
8	38585	Bushing
9	38575	Collar
10	38494	Vent rod assembly
11	38586	Coupling, 3/8 ID
12	38588	Sleeve
13	38587	Coupling, 1/8 ID
14	38576	Vent motor
15	37392	Micro switch
16	53423	Flowmeter kit (for ovens built before 2-28-10)
	53243	Flowmeter kit (for ovens built after 2-28-10)

INTERIOR ITEMS

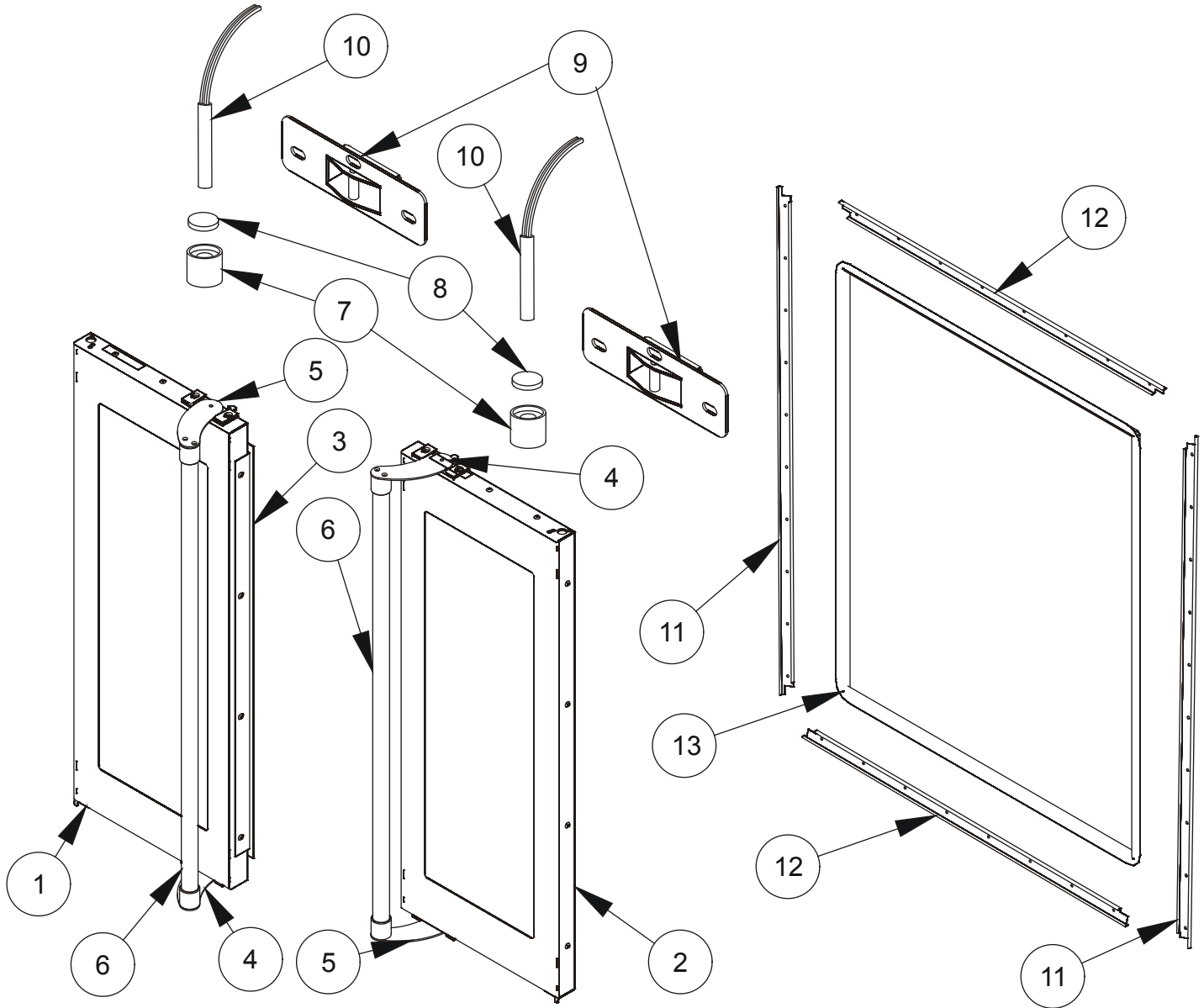


Ref. No.	Part No.	Description
1	38346	Carousel assembly
2	52601	Carousel assembly, Dunkin Donuts only
3	38905	Wire rack
4	38338	Pan support (1 of 16)
5	38312	Plunger
6	38367	Plunger spring
7	38310	Carousel bushing
8	38956	Retaining ring, plunger
9	D0125	Lamp bezel for square light design
10	50192	Lamp lens for square light design
11	D0127	Gasket, lamp bezel for square light design
12	D0128	Bulb, halogen for square light design
	53101	Bulb, halogen for round light design
13	53659	Lens and caskets for round light design

DOOR COMPONENTS

(For Ovens Built After 07-19-07.

These ovens will have the model code "DJ" within the serial number)



Ref. No.	Part No.	Description
1	◆ 50630	Door assembly, LH glass (comes with item #3 only)
2	◆ 50625	Door assembly, RH glass (comes with item #3 only)
3	38913	Center door gasket w/retainer
4	50227	Latch assembly, door
5	50228	Latch assembly, door
6	50241	Door handle
7	38791	Cup, magnet
8	38792	Magnet, door
9	50514	Door catch (top or bottom)
10	39744	Proximity switch, magnetic

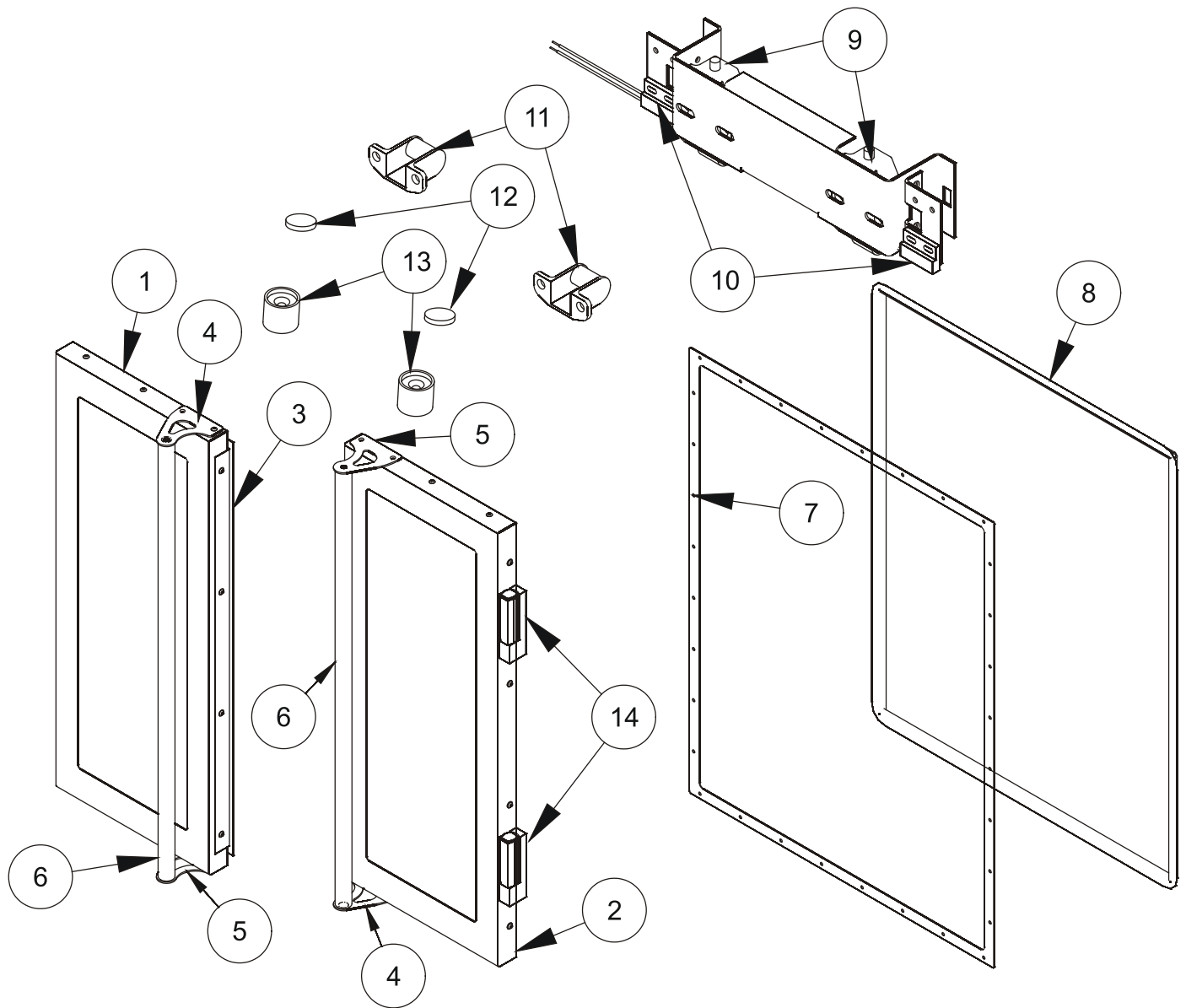
Ref. No.	Part No.	Description
11	50100	Gasket retainer, left / right
12	50099	Gasket retainer, top / bottom
13	50064	Door gasket
	50213	Handle end caps

◆ Doors Are Not Returnable

DOOR COMPONENTS

(For Ovens Built Before 07-19-07.

These ovens will have the model code "DF" within the serial number)

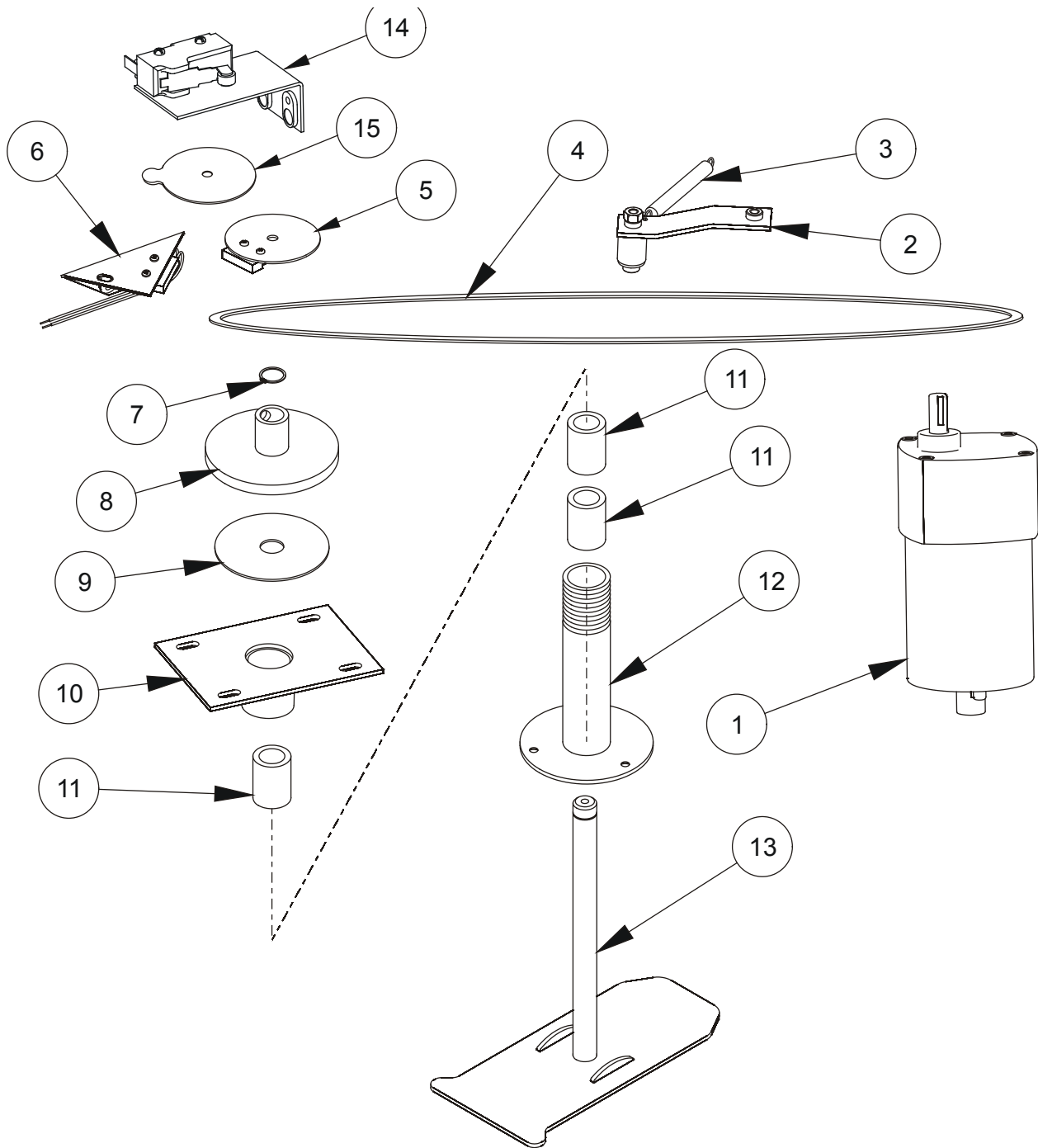


Ref. No.	Part No.	Description
1	◆ 38225	Door assembly, LH glass (comes with item #3 only)
2	◆ 38226	Door assembly, RH glass (comes with item #3 only)
3	38913	Center door gasket w/retainer
4	38473	Bracket, door handle
5	38835	Bracket, door handle6
6	38836	Door handle assembly (includes items #4 and 5)
7	38355	Gasket retainer
8	38356	Oven gasket
9	38960	Latch body

Ref. No.	Part No.	Description
10	38381 38967	Sensor, magnetic Latch assembly complete (includes items #9 and 10)
11	38961	Latch striker
12	38792	Magnet, door
13	38791	Cup, magnet
14	38918	Hinge, door (right or left)

◆ Doors Are Not Returnable

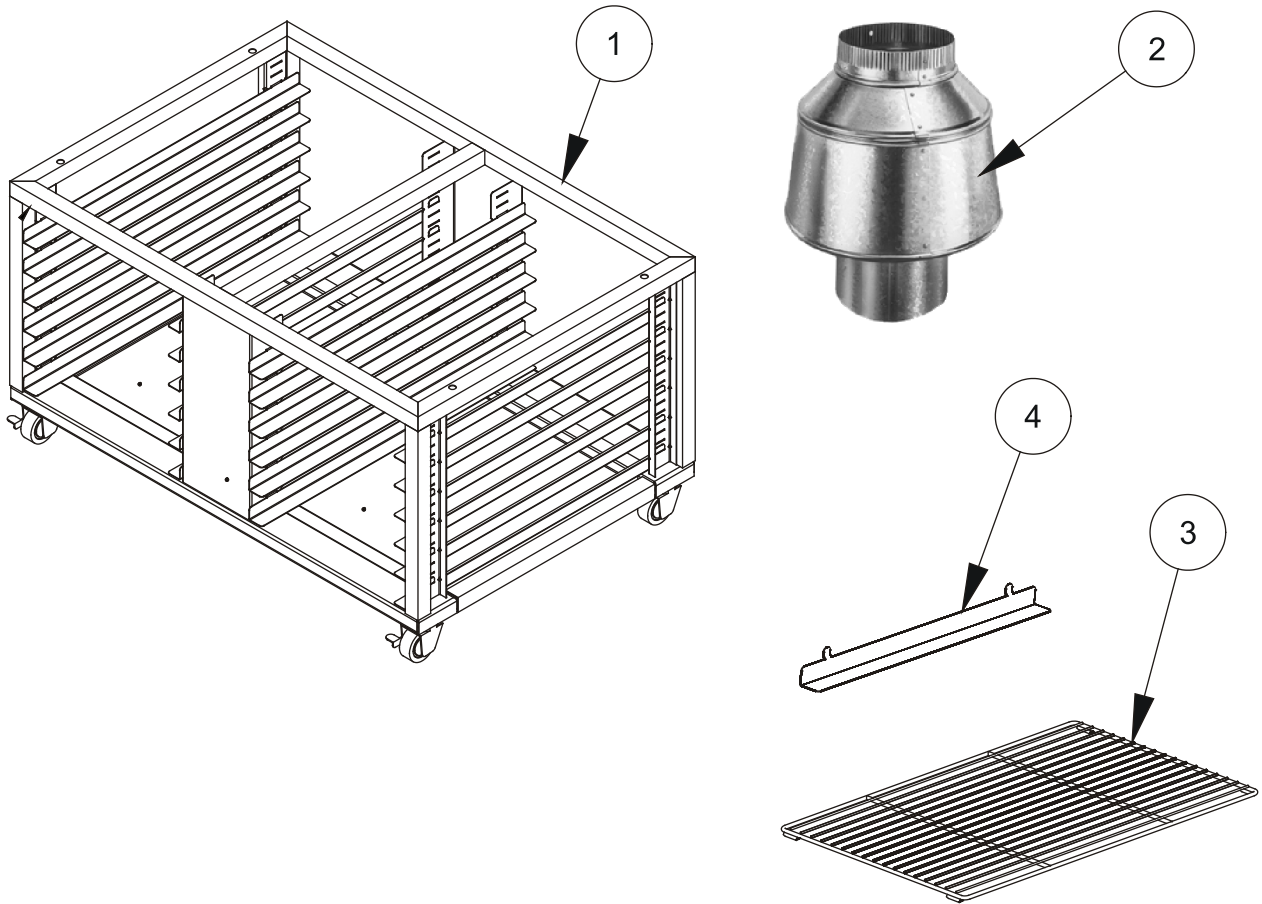
CAROUSEL DRIVE SYSTEM



Ref. No.	Part No.	Description
1	38358	Motor, drive
	38409	Pulley, motor drive
2	38747	Idler arm assembly (includes item #3)
3	38523	Spring, idler arm
4	38410	Drive belt
5	38839	Indicator, rack position (ovens manufactured before 07-22-09)
6	38838	Sensor, rack position (ovens manufactured before 07-22-09)
7	38314	Retainer clip
8	38290	Load bearing

Ref. No.	Part No.	Description
9	38295	Thrust bearing
10	38292	Top plate
11	38294	Bearing, sleeve
12	38362	Plate assembly, inside top
13	38347	Carousel support
14	52698	Microswitch assembly (ovens manufactured after 07-22-09)
15	52643	Cam, microswitch (ovens manufactured after 07-22-09)
	38296	Pulley, carousel
	53106	Cam and bracket kit

ACCESSORIES



Ref. No.	Part No.	Description
1	38978	Stand assembly with casters
	54596	Stand assembly with feet
2	38557	Direct vent drafthood
3	38905	Wire racks
4	38774	Pan slide, stand
	21242	48" flex gas hose with quick disconnect and restraining device
	21826	36" flex gas hose with quick disconnect and restraining device
	53163	Caster shim kit
	38338	Pan slide, oven
	5091	Cordset, 120V