



AC-500
HOT SURFACE IGNITION & I.I.D.SPARK IGNITION
VERTICALLY FIRED GAS CONVECTION OVEN
REPLACEMENT PARTS LIST

EFFECTIVE APRIL 19, 2012

Superseding All Previous Parts Lists.

The Company reserves the right to make substitution in the event that items specified are not available.

ERRORS: Descriptive and/or typographic errors are subject to correction.

BLODGETT OVEN COMPANY

44 Lakeside Avenue, Burlington, Vermont 05401 USA Telephone: (802) 658-6600 Fax: (802) 860-3732
www.blodgett.com

P/N 53074

SERIAL NUMBER LOCATION / KEY:

IMPORTANT: When ordering parts, please provide the model, gas type and serial number of the oven. The identification plate is located on the left side of the combustion compartment and, also, above the control panel under the ledge.

SERIAL NUMBER IDENTIFICATION CODE: RC / RF / RE

- ASAP Distributor Required Stocking Parts
- ◆ Doors Are Not Returnable

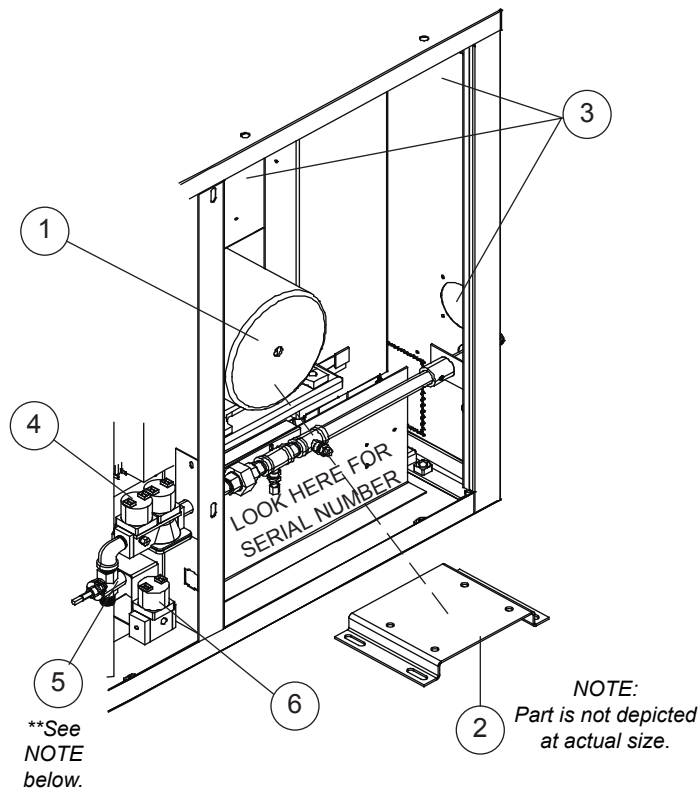
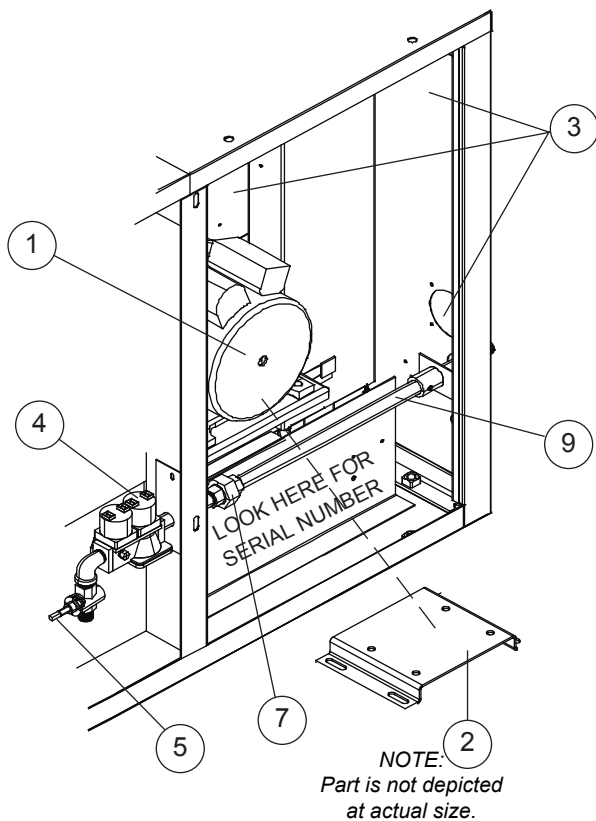
TABLE OF CONTENTS

SIDE VIEW	3
SOLID STATE MANUAL CONTROLS	4
SOLID STATE DIGITAL CONTROLS.....	5
INTELLIPLUS CONTROLS	6
CH102 FAST CONTROLS	7
GAS MANIFOLD ASSY, UNITS BEFORE 11/25/98	8
GAS MANIFOLD ASSY, UNITS AFTER 11/25/98.....	9
DOOR COMPONENTS, SINGLE DOOR OPTION.....	10
DOOR COMPONENTS, DOUBLE DOOR OPTION.....	11
EXTERIOR VIEWS.....	12
INTERIOR VIEW	14
EXCLUSIVE TO EXPORT.....	15

SIDE VIEW - RIGHT HAND

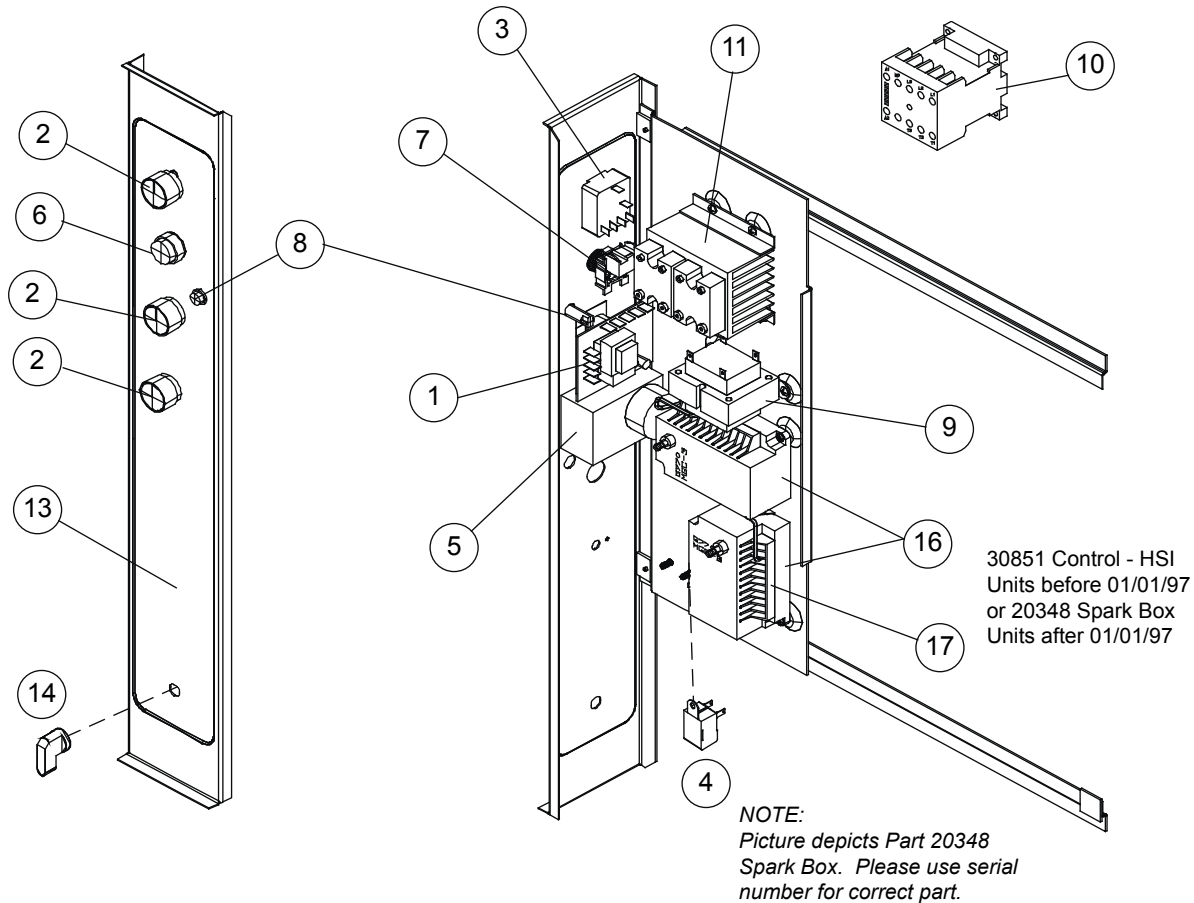
OLD - Before 01/01/97

NEW - After 01/01/97



Ref. No.	Part No.	Description
1	30685	Motor, 115V, 3/4 HP, 1 PH, 2 SP, 60 HZ (Qty 1) Units before 01/01/97
1	34111	Motor, 115V, 3/4 HP, 1 PH, 2 SP, 60 HZ (Qty 1) Units after 01/01/97
2	31601	Motor Adapter Bracket
NOTE: For units before 01/01/97 this bracket will not fit the Howell Motor.		
3	3574	Terminal Block, 65 AMP, 600V (Qty 1)
3	21134	Axial Fan, 115V, 3" (Qty 3)
	22711	Lug, Grounding & Screw (Qty 1)
4	22190	Dual Solenoid Valve/Pressure Regulator LP
4	M5495	Dual Solenoid Valve/Pressure Regulator NAT
	18612	Spring, Solenoid Valve, Nat to LP (Qty 1)
	23007	Spring, Solenoid Valve, LP to Nat (Qty 1)
5	R4435	Gas valve, manual
	R0364	Knob, Square D, controls manual gas valve
6	R6490	Pilot Valve, Units after 01/01/97
7	3807	Union, for thru pipe Units before 01/01/97

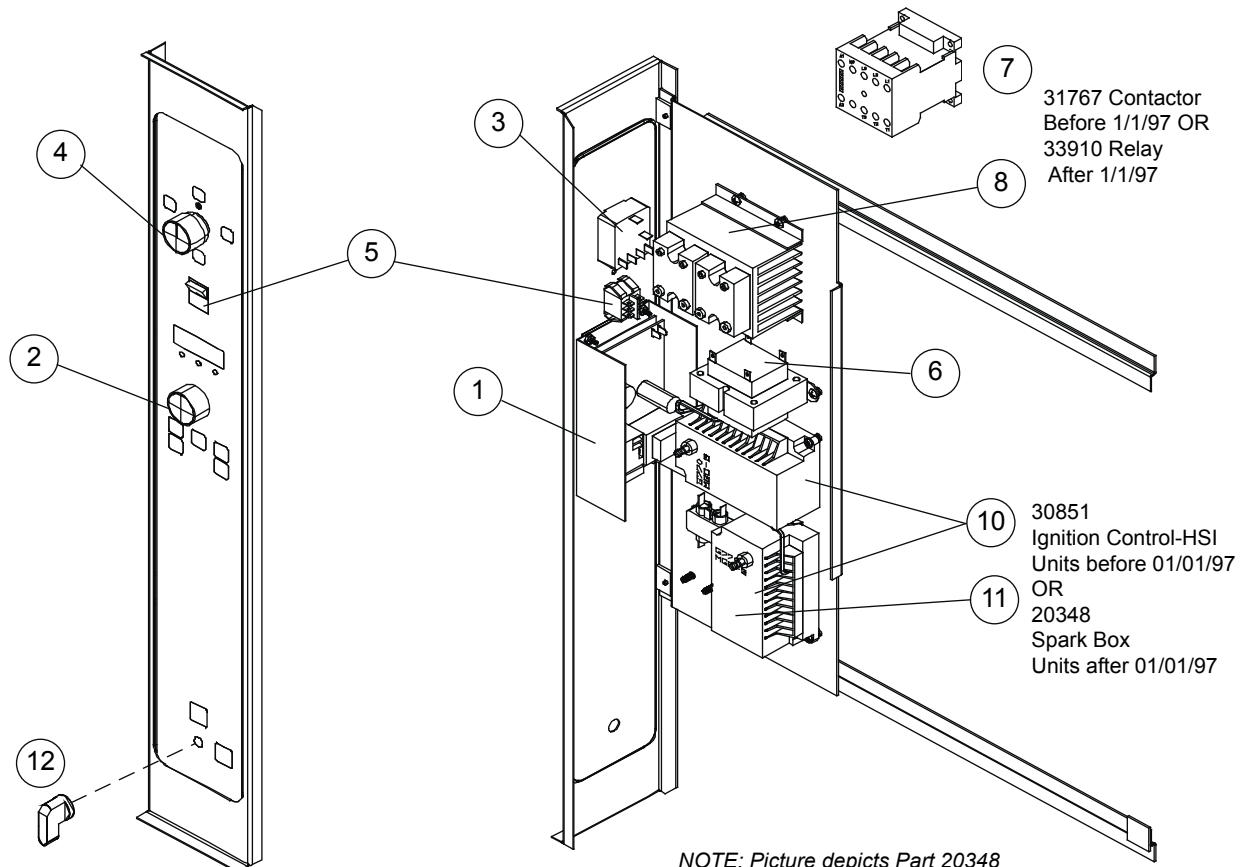
SOLID STATE MANUAL CONTROLS



<u>Ref. No.</u>	<u>Part No.</u>	<u>Description</u>	<u>Ref. No.</u>	<u>Part No.</u>	<u>Description</u>
1	18578	Controller, Temperature (Qty 1)	9	31274	Transformer, 120V to 24V (Units before 01/01/97 use Qty 2 and Units after 01/01/97 use Qty 1)
	30712	Probe, Temperature (Qty 1)	10	31767	Contactor, 3 Pole, 120V Coil (Qty 1) Units before 01/01/97
	18234	Potentiometer, Remote (Qty 1)	11	33910	Relay Assy Units after 01/01/97
2	24684	Knob, Temperature (Qty 1)	13	31841	Decal, Lexan Control (Manual) (Qty 1)
3	21068	Mode Selector Switch (4 Position) (Qty 1)	14	R0364	Knob, Square D, controls manual gas valve
2	24684	Knob, Mode Selector (Qty 1)	15	R4435	Gas Valve, manual
4	20349	Buzzer, 120V (Qty 1)			NOTE: Gas valves are pictured on page 3
5	18225	Timer, 60 Minute, 120V, 60 HZ (Qty 1)	16	30851	Ignition Control, Hot Surface Ignition Units before 01/01/97
2	24684	Knob, Timer (Qty 1)	17	20348	Spark Box Units after 01/01/97
6	36755	Thermal Switch SPDT, Units after 06/01/2003			
6	18295	Switch, Momentary for lights (Push-Button) (Qty 1)			
7	18296	Contact Block, 6 Amp., 600V (Qty 1)			
8	18265	Indicator Light, 28V, Red, Round (Qty 1)			

SOLID STATE DIGITAL CONTROLS

5 KEY (PICTURED WITH LIGHTS)



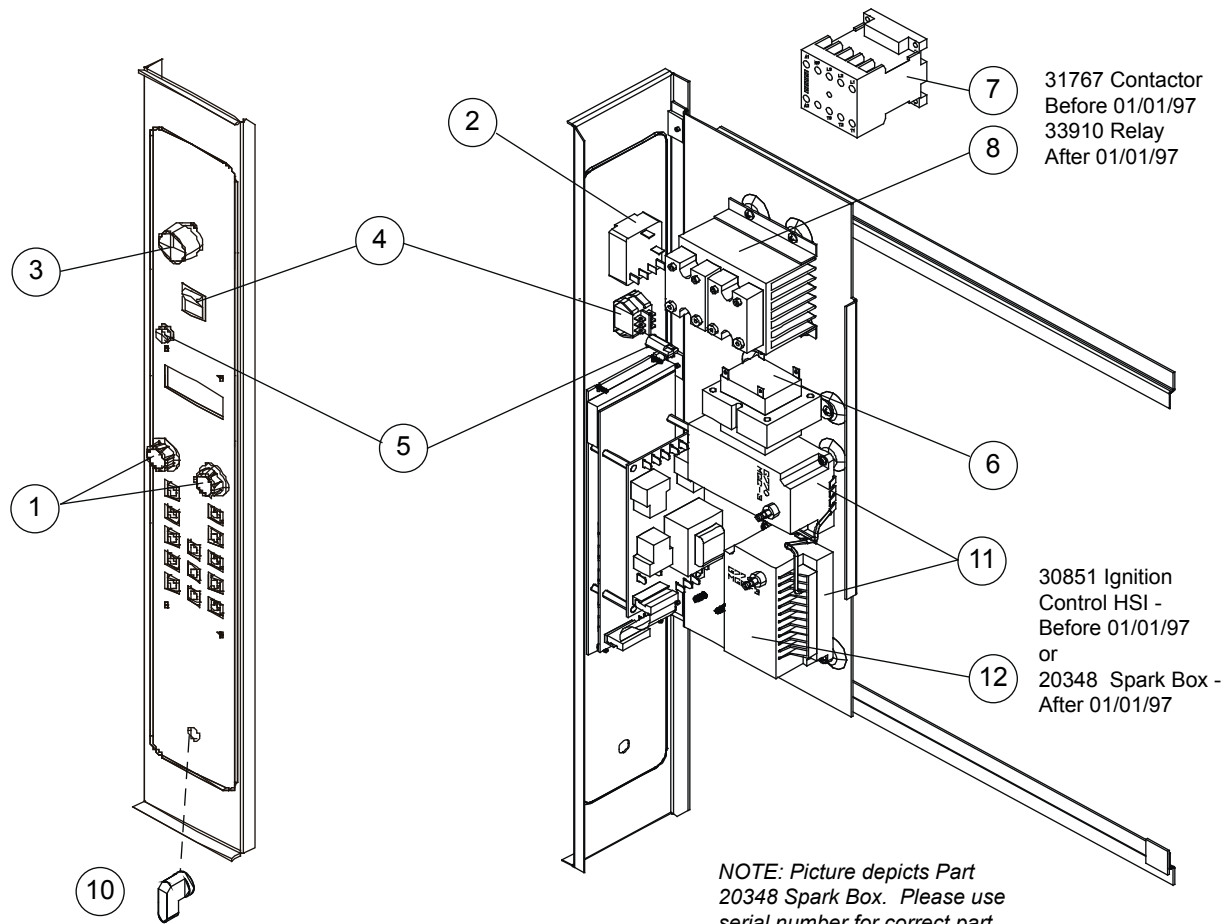
NOTE: Picture depicts Part 20348 Spark Box. Please use serial number for correct part.

Ref. No.	Part No.	Description
1	30658	Controller, Time & Temperature (Qty 1)
	30712	Probe, Temperature (Qty 1)
2	24685	Knob, Adjust Temperature (Qty 1)
3	21068	Mode Selector Switch (4 Position) (Qty 1)
4	24684	Knob, Mode Selector (Qty 1)
5	19620	Light Switch, Rocker (Momentary) (Qty 1)
	36755	Thermal Switch SPDT, Units after 06/01/2003
6	31274	Transformer, 120V to 24V (Units before 01/01/97 use Qty 2 and Units after 01/01/97 use Qty 1)
7	31767	Contactor, 3 Pole, 120V Coil (Qty 1) Units before 01/01/97
8	33910	Relay Assy (Qty 1) Units after 01/01/97
10	30851	Ignition Control, Hot Surface Ignition Units before 01/01/97
11	20348	Spark Box Units after 01/01/97
12	R0364	Knob, Square D, controls manual gas valve
	R4435	Gas Valve, manual

NOTE: Gas valves are pictured on page 3

INTELLIPLUS CONTROL

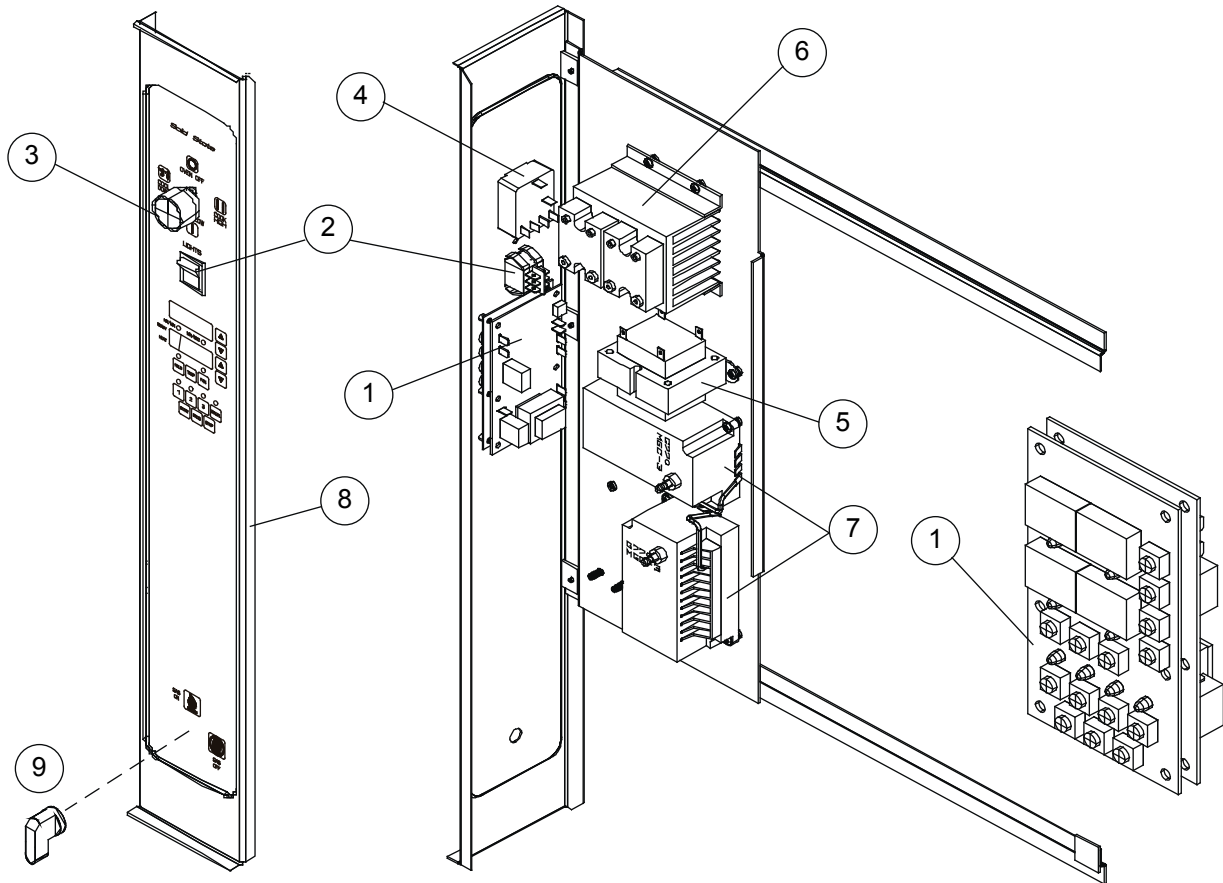
13 KEY



Ref. No.	Part No.	Description
	31901	Probe, Temperature (Qty 1)
1	24181	Knob, Control Time or Temperature (Qty 2)
2	18868	Mode Selector Switch (3 Position) (Qty 1)
3	24684	Knob, Mode Selector (Qty 1)
4	19620	Light Switch, Rocker, Momentary (Qty 1)
5	18265	Indicator Light, 28V, Red, Round (Qty 1)
6	31274	Transformer, 120V to 24V (Units before 01/01/97 use Qty 2 and Units after 01/01/97 use Qty 1)
7	31767	Contactor, 3 Pole, 120V Coil (Qty 1) Units before 01/01/97
8	33910	Relay Assy (Qty. 1) Units after 01/01/97
10	R0364	Knob, Square D, controls manual gas valve
	R4435	Gas Valve, manual Units before 01/01/97
	R6490	Pilot Valve Units after 01/01/97
NOTE: Gas valves are pictured on page 3		
11	30851	Ignition Control, Hot Surface Ignition Units before 01/01/97
12	20348	Spark Box Units after 01/01/97

CH102 FAST CONTROLS

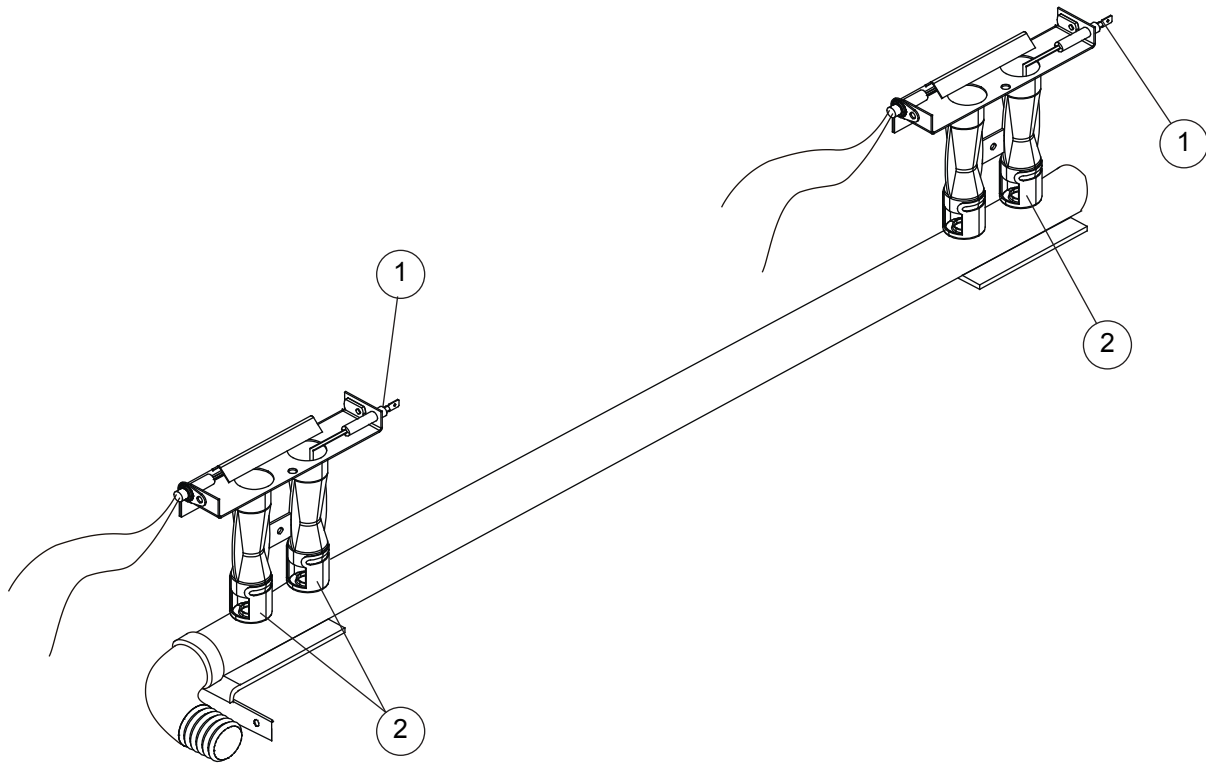
14 KEY (WITH LIGHTS)



Ref. No.	Part No.	Description
1	37087	Controller, CH102 (14 Key)
	34472	Probe, RTD 12"
2	19620	Light Switch, Rocker, DPST, Momentary
3	24685	Knob, Adjust (Qty 1)
4	21068	Mode Selector Switch (4 Position) (Qty 1)
5	31274	Transformer, 120V to 24V (Qty 1)
	36755	Thermal Switch SPDT, Units after 06/01/2003
6	33910	Relay Assy (Qty 1)
7	20348	Spark Box Assy, Nat & LP (Qty 2)
	34689	Capacitor Assy, Snubber CH102 control
8	36056	Control Panel & Decal Assy, CH102
9	R0364	Knob, Square D, controls manual gas valve

GAS MANIFOLD ASSEMBLY

MANUFACTURED BEFORE 11/25/1998
SERIAL NUMBER 112598RF008T

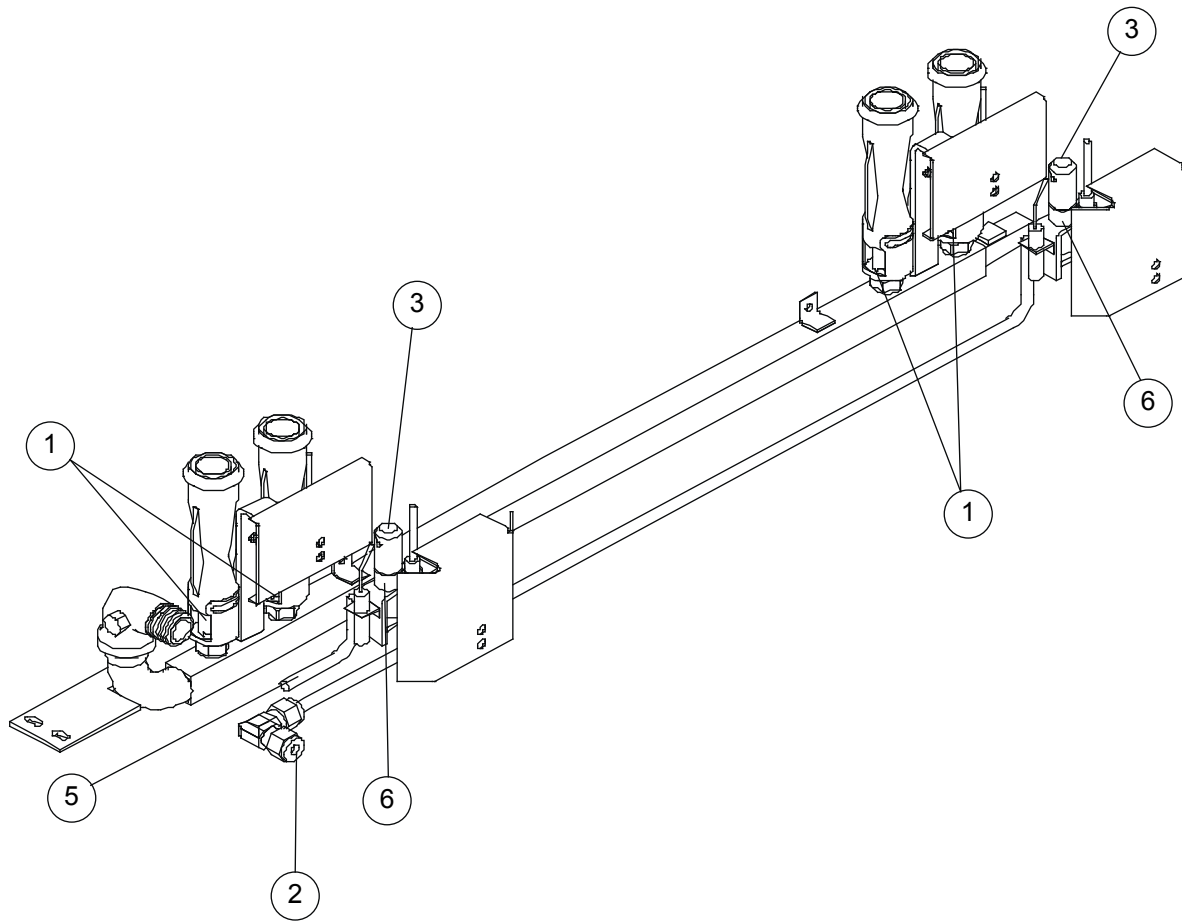


Ref. No.	Part No.	Description
1	31331	Probe, Flame Sensing (Qty 2)
2	30943	Orifice, Main Burner, Nat (MTD #46) (Qty 4)
2	31828	Orifice, Main Burner, LP (MTD #55) (Qty 4)
	33052	Relay & Hardware 24V, for Gas sytem shutoff

GAS MANIFOLD ASSEMBLY

MANUFACTURED AFTER 11/25/1998

SERIAL NUMBER 112598RF008T

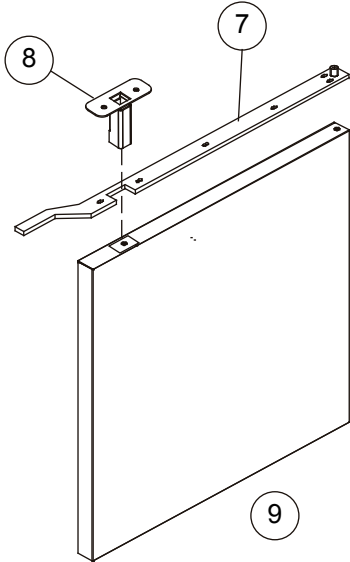


Ref. No.	Part No.	Description
1	30943	Orifice, Main Burner, Nat (MTD #46) (Qty 4)
1	31828	Orifice, Main Burner, LP (MTD #55) (Qty 4)
2	M2799	Elbow, Union Compression
3	34282	Pilot Ignitor Assy (Qty 2)
5	33488	Tubing, Flex 12" (Qty 1)
6	M0697	Pilot Orifice Nat (Qty 2)
6	M2690	Pilot Orifice LP (Qty 2)

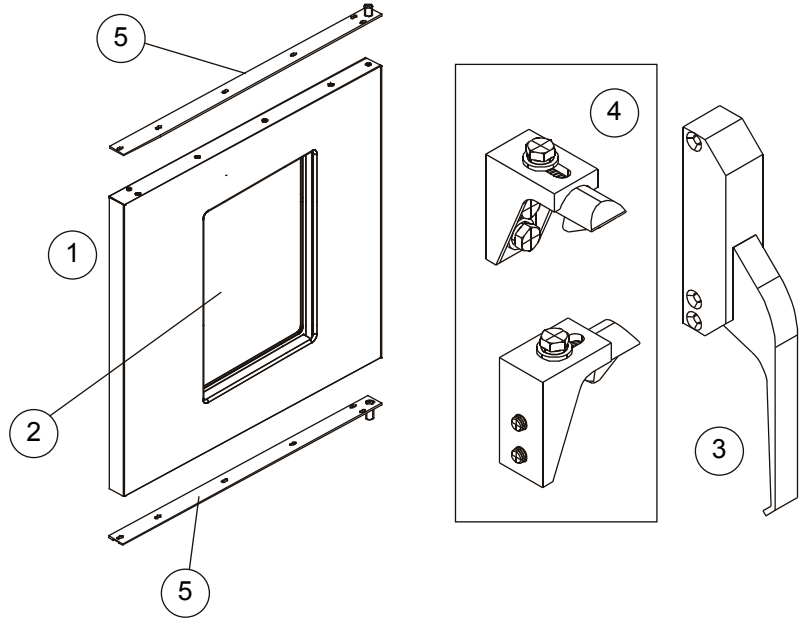
DOOR COMPONENTS

SINGLE DOOR OPTION

OLD - Before 01/01/97



NEW - After 01/01/97



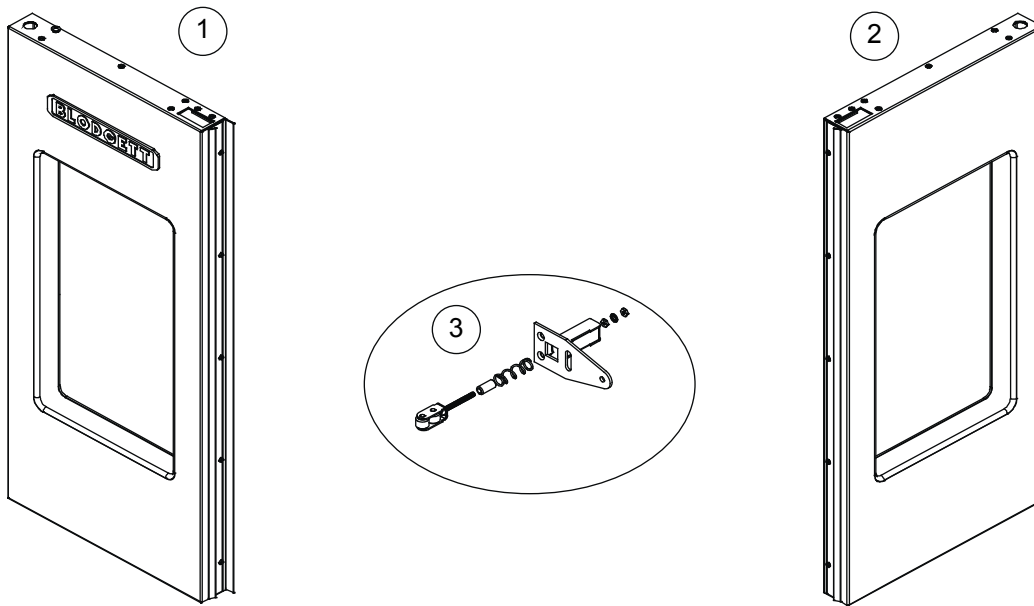
◆ Doors are not returnable

Ref. No.	Part No.	Description
<u>AFTER JANUARY 01, 1997</u>		
1	◆ 33886	Door Assy, Glass (Qty 1)
2	31704	Glass Assy, Door (14" x 20") (Qty 1)
3	R6313	Handle
4	R2296	Catch & Latch Assy
	20734	Microswitch Assy, Pictured on page 12
	33907	Bracket, Door Switch
5	30761	Arm, Door Upper &/or Lower (Qty 2)
	31919	Gasket Assy, Perimeter Door (4 Piece) (Qty 1)
	16470	Nameplate Assy., Blodgett 10" (Qty 1)

Ref. No.	Part No.	Description
<u>BEFORE JANUARY 01, 1997</u>		
2	31704	Glass Assy, Door (14" x 20") (Qty 1)
7	17946	Catch Assy, Door (Qty 2)
NOTE: One is located on the top of the door and the other is located on the bottom of the door		
	31206	Plate, Striker Door Latch (Qty 2)
	31240	Microswitch Assy, Door Pictured on page 12
8	35883	Arm, Door Upper (Qty 1)
	90004	Bushings, Door Hinge (Set of 2)
	31919	Gasket Assy, Perimeter Door (4 Piece) (Qty 1) Pictured on page 12
	16470	Nameplate Assy., Blodgett 10" (Qty 1)

DOOR COMPONENTS

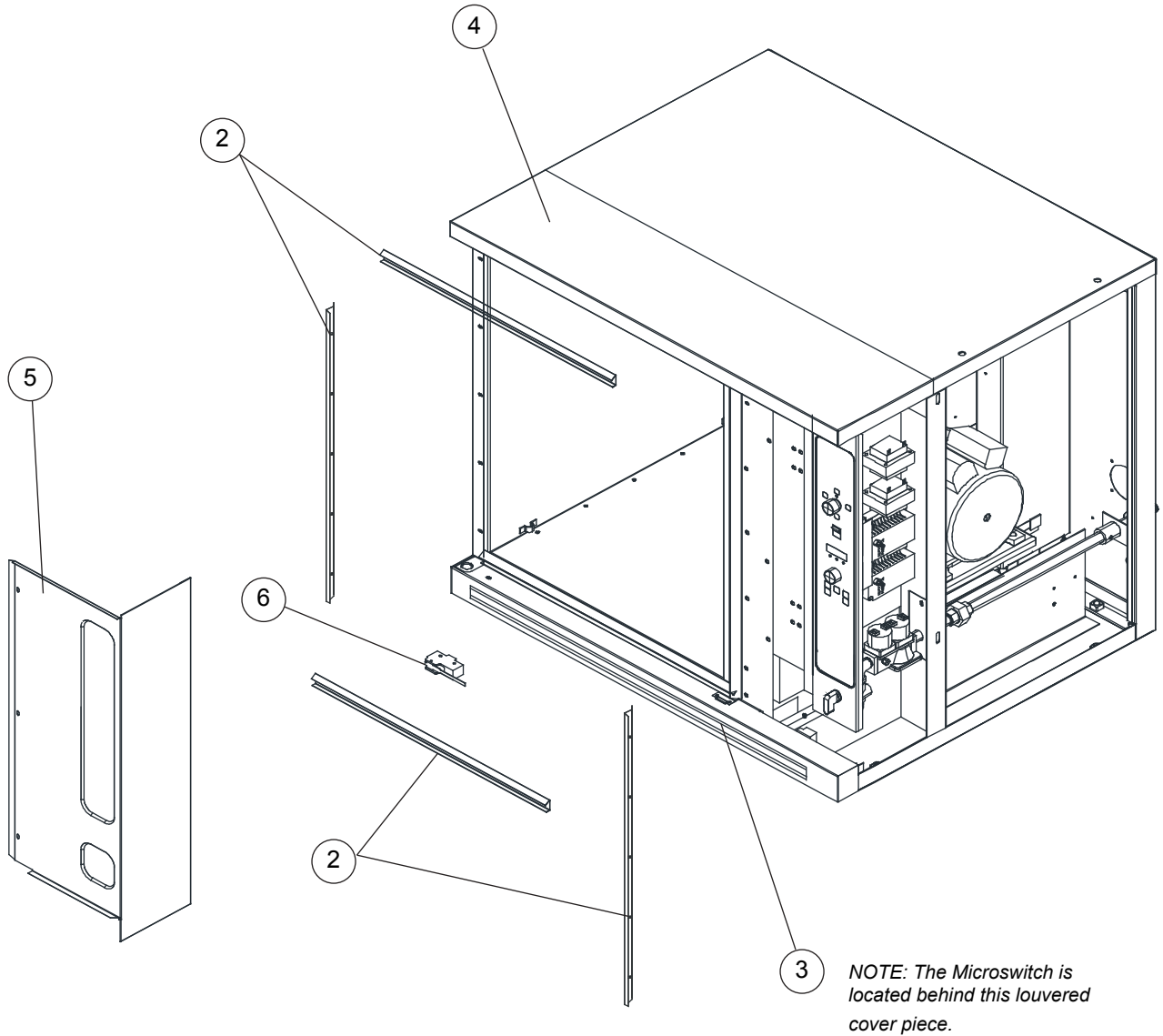
SPECIFIC TO DOUBLE DOOR OPTION



<u>Ref. No.</u>	<u>Part No.</u>	<u>Description</u>
1	◆ 31721	Door Assy, LH Glass (Qty 1)
2	◆ 36113	Door Assy, RH Glass (Qty 1)
3	31753	Catch Assy, Door
	37305	Microswitch Assy
	31919	Gasket Assy, Perimeter
	37304	Gasket Assy, Center

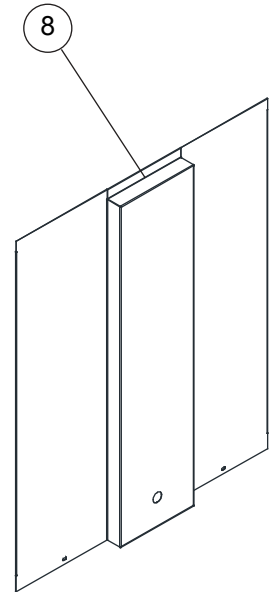
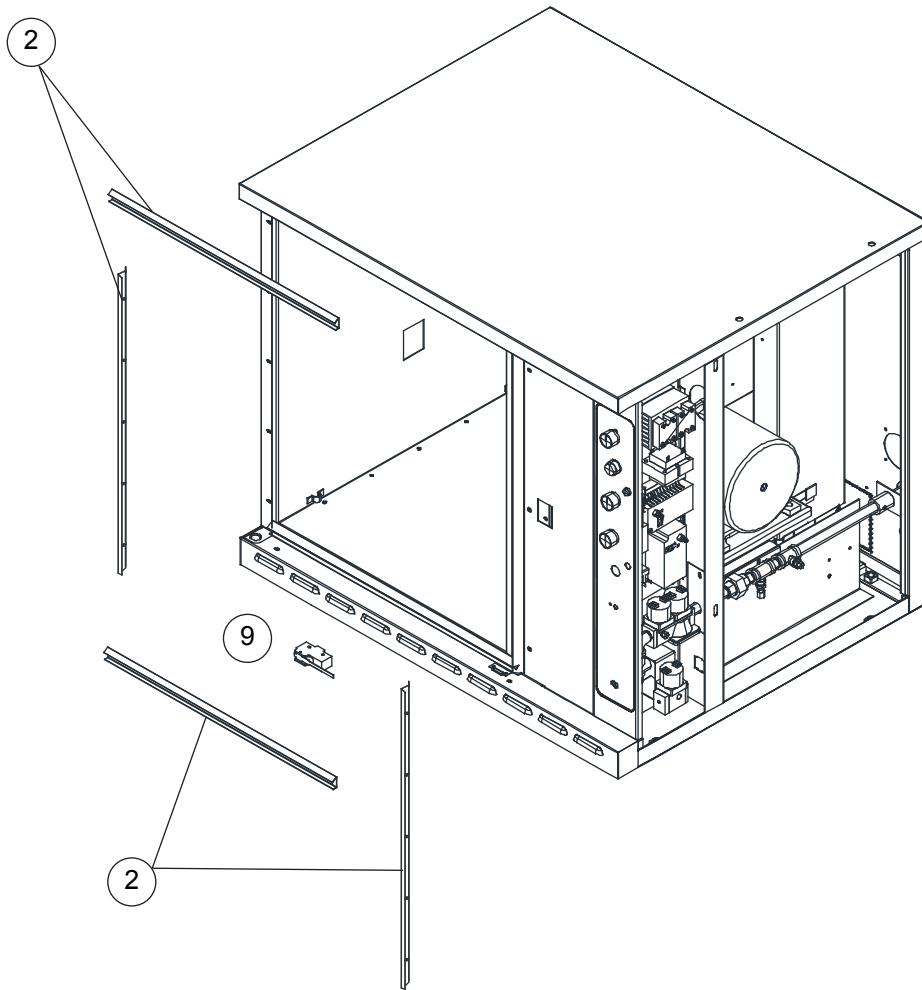
EXTERIOR COMPONENTS

"OLD STYLE" BEFORE 01/01/97



EXTERIOR COMPONENTS

"NEW STYLE" AFTER 01/01/97

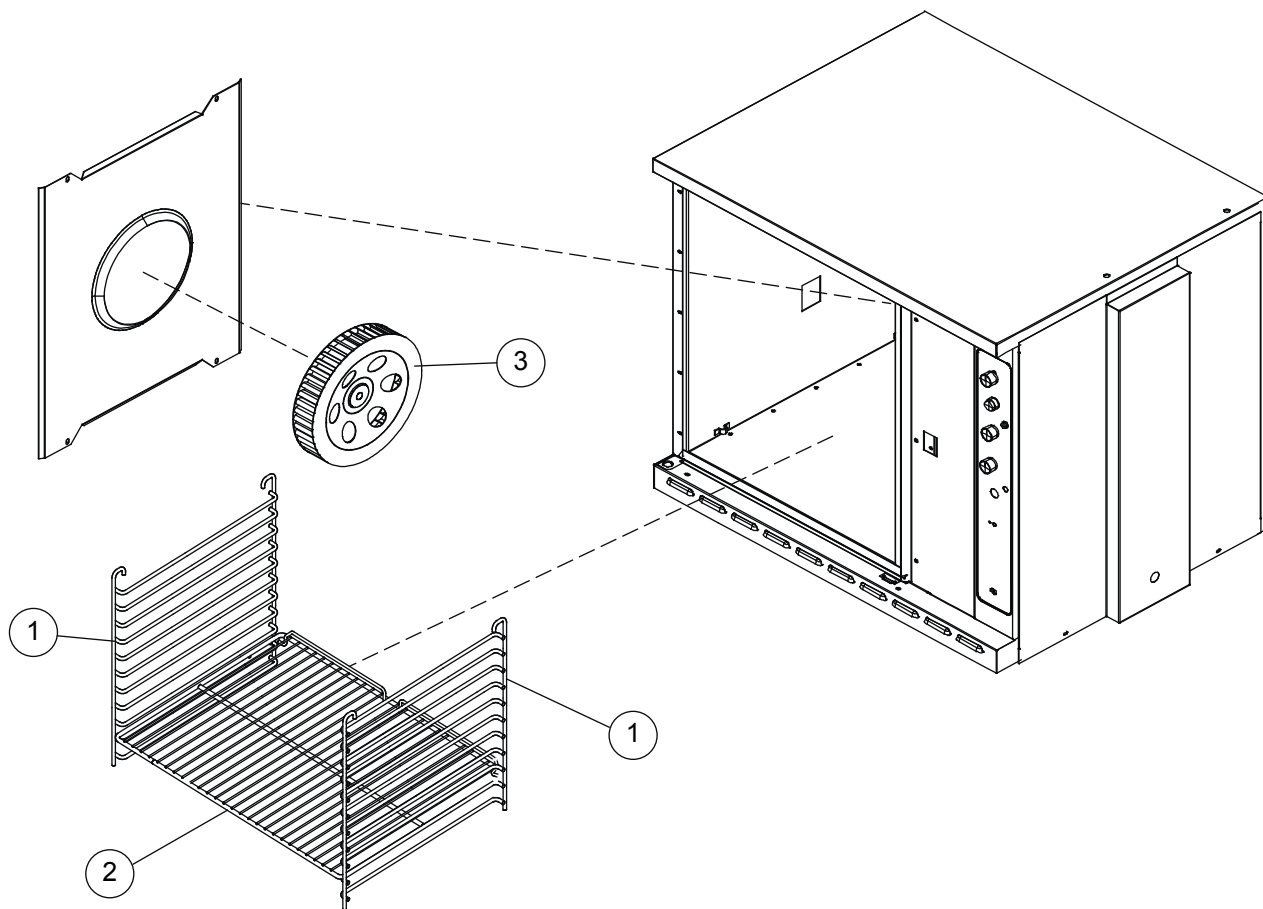


NOTE: The Microswitch is located behind this louvered cover piece.

Ref. No.	Part No.	Description
	7839	Draffhood, Direct Venting, S/S (Qty 1)
	7840	Draft Diverter, Canopy Venting, S/S (Qty 1)
2	31919	Gasket Assy, Perimeter
	21826	Installation Hose, 36"
	21242	Installation Hose, 48"
	31595	Cord Set Assy, 6 Feet (Qty 1)
	8598	Legs, 25" w/ Bolts, S/S (Set of 4)
	92000	Studs, Leg (Set of 4)
	7847	Bolts, Leg (Set of 8)
	16002	Casters (Sgl Oven) (Set of 4)
	19528	Casters, Low Profile (Dbl Oven) (Set of 4)
	33425	Casters, Adjustable Low Profile (Dbl Oven) (Set of 4)

Ref. No.	Part No.	Description
<u>BEFORE JANUARY 01, 1997</u>		
2	30975	Cover Assy, Combustion Compartment (Qty 1)
4	30974	Body Top, Front (Qty 1)
5	30718	Cover, Control (Qty 1)
<u>AFTER JANUARY 01, 1997</u>		
8	33891	Body Side, RH S/S (Qty 1)
11	20734	Microswitch Assy, Door (Qty 1) Units after 01/01/97

INTERIOR VIEW



Ref. No.	Part No.	Description
	30988	Retainer, Probe Wire (Qty 2)
1	30677	Rack Support (Qty 2)
2	30676	Rack, Wire (27-3/8" x 23-5/16") (Each)
3	30649	Blower Wheel (Qty 1)
	31741	Bulb, Light 25W, 120V, (Qty 2)
	35791	Lens, Cover Light (Qty 2)

EXCLUSIVE TO EXPORT

Ref. No.	Part No.	Description
	32241	Motor, 240V, 2 SP, 50/60 HZ
	16037	Indicator Light, 250V, Red, Round (Qty 1) CE
	20084	Timer, 60 Minute, 240V, 50 HZ (Qty 1) CE
	18581	Timer, Adjustable, 240V (Qty 1) CE
	18439	Potentiometer, Control (Humidaire) CE (Qty 1)
	20350	Buzzer, 240V (Qty 1) CEE
	R4435	Gas Valve, Manual 1/2" (Qty 1) CE
	53009	Control, Hot Surface Ignitor (Qty 2) CE
	M2841	Fitting, Pressure Tap (Qty 1) CE