



ZEPHAIRE-240G PLUS

CONVECTION OVEN

INSTALLATION – OPERATION – MAINTENANCE

ZEPHAIRE-240G PLUS

FOURS À CONVECTION

MANUEL D'INSTALLATION – FONCTIONNEMENT – ENTRETIEN



BLODGETT OVEN COMPANY

www.blodgett.com

44 Lakeside Avenue, Burlington, Vermont 05401 USA Telephone (802) 658-6600 Fax: (802)864-0183

PN 52898 Rev B (5/11)

© 2011 – G.S. Blodgett Corporation

IMPORTANT

WARNING: IMPROPER INSTALLATION, ADJUSTMENT, ALTERATION, SERVICE OR MAINTENANCE CAN CAUSE PROPERTY DAMAGE, INJURY OR DEATH. READ THE INSTALLATION, OPERATING AND MAINTENANCE INSTRUCTIONS THOROUGHLY BEFORE INSTALLING OR SERVICING THIS EQUIPMENT

AVERTISSEMENT: UNE INSTALLATION, UN AJUSTEMENT, UNE ALTÉRATION, UN SERVICE OU UN ENTRETIEN NON CONFORME AUX NORMES PEUT CAUSER DES DOMMAGES À LA PROPRIÉTÉ, DES BLESSURES OU LA MORT. LISEZ ATTENTIVEMENT LES DIRECTIVES D'INSTALLATION, D'OPÉRATION ET D'ENTRETIEN AVANT DE FAIRE L'INSTALLATION OU L'ENTRETIEN DE CET ÉQUIPEMENT.

INSTRUCTIONS TO BE FOLLOWED IN THE EVENT THE USER SMELLS GAS MUST BE POSTED IN A PROMINENT LOCATION. THIS INFORMATION MAY BE OBTAINED BY CONTACTING YOUR LOCAL GAS SUPPLIER.

LES INSTRUCTIONS À RESPECTER AU CAS OÙ L'UTILISATEUR PERÇOIT UNE ODEUR DE GAZ DOIVENT ÊTRE AFFICHÉES DANS UN ENDROIT BIEN VISIBLE. VOUS POUVEZ VOUS LES PROCURER AUPRÈS DE VOTRE FOURNISSEUR DE GAZ LOCAL.

FOR YOUR SAFETY

Do not store or use gasoline or other flammable vapors or liquids in the vicinity of this or any other appliance.

AVERTISSEMENT

Ne pas entreposer ni utiliser de l'essence ni d'autres vapeurs ou liquides inflammables dans le voisinage de cet appareil, ni de tout autre appareil.

The information contained in this manual is important for the proper installation, use, and maintenance of this oven. Adherence to these procedures and instructions will result in satisfactory baking results and long, trouble free service. Please read this manual carefully and retain it for future reference.

Les informations données dans le présent manuel sont importantes pour installer, utiliser et entretenir correctement ce four. Le respect de ces instructions et procédures permettra d'obtenir de bons résultats de cuisson et une longue durée de service sans problèmes. Veuillez lire le présent manuel et le conserver pour pouvoir vous y reporter à l'avenir.

Errors: Descriptive, typographic or pictorial errors are subject to correction. Specifications are subject to change without notice.

Erreurs: Les erreurs de description, de typographie ou d'illustration font l'objet de corrections. Les caractéristiques sont sujettes à modifications sans préavis.



***THE REPUTATION YOU CAN COUNT ON
UNE RÉPUTATION SUR LAQUELLE VOUS POUVEZ COMPTER***

For over a century and a half, The Blodgett Oven Company has been building ovens and nothing but ovens. We've set the industry's quality standard for all kinds of ovens for every foodservice operation regardless of size, application or budget. In fact, no one offers more models, sizes, and oven applications than Blodgett; gas and electric, full-size, half-size, countertop and deck, convection, Cook'n Hold, Combi-Ovens and the industry's highest quality Pizza Oven line. For more information on the full line of Blodgett ovens contact your Blodgett representative.

Cela fait maintenant dessus un siècle et demi que Blodgett se spécialise dans la fabrication de fours. Nous avons établi les normes de qualité qui s'appliquent dans l'industrie à tous les types de fours utilisés dans les services alimentaires, quel qu'en soit la taille, l'exploitation ou le budget. En fait, ni n'offre plus de modèles, de tailles et d'applications de fours que Blodgett. À gaz et électriques. De tailles différentes, sur plan de travail et superposables. Qu'il s'agisse de fours à convection, des modèles Cook'n Hold et Combi-Oven, ou de la gamme de fours à pizzas de la plus haute qualité offerte sur le marché. Pour de plus amples informations sur la gamme complète de fours Blodgett, veuillez contacter votre représentant Blodgett.

Your Service Agency's Address:
Adresse de votre agence de service:



Model/Modèle:

Serial Number/Numéro de série:

Your oven was installed by/
Installateur de votre four:

Your oven's installation was checked by/
Contrôleur de l'installation de votre four:

Table of Contents/Table des Matières

Installation		Installation	
Oven Description and Specifications	2	Description et Spécifications du Four	24
Delivery and Location	3	Livraison et Implantation	25
Utility Connections – Standards and Codes	4	Branchements de Service – Normes et Codes	26
Oven Assembly	5	Montage du Four	27
NSF Bolts	5	Boulons NSF	27
Leg Attachment	6	Assemblage des Pieds	28
Caster Assembly	6	Montage des Roulettes	28
Double Section Assembly	7	Montage de la Section Double	29
Oven Leveling	7	Mise à Niveau du Four	29
Ventilation	8	Ventilation	30
Canopy Type Exhaust Hood	8	Hotte D'évacuation Type Voûte	30
Direct Flue Arrangement	9	En Prise Directe	31
Gas Connection	10	Branchement de Gaz	32
Electrical Connection	13	Raccordement Électrique	35
Initial Startup	14	Mise en Marche Initiale	36
Operation		Utilisation	
Safety Information	15	Informations de Sécurité	37
Standard Control	16	Commandes Standard	38
Solid State Digital Control	17	Commandes Numériques à Semi-Conducteurs	40
General Guidelines for Operating Personnel	19	Consignes Générales à l'Intention des Utilisateurs	43
Suggested Times and Temperatures	20	Durées et Températures Suggérées	44
Maintenance		Entretien	
Cleaning and Preventative Maintenance .	21	Nettoyage et Entretien Préventif	45
Troubleshooting Guide	22	Guide de Détection des Pannes	46



Installation

Oven Description and Specifications

Cooking in a convection oven differs from cooking in a conventional deck or range oven since heated air is constantly recirculated over the product by a fan in an enclosed chamber. The moving air continually strips away the layer of cool air surrounding the product, quickly allowing the heat to penetrate. The result is a high quality product, cooked at a lower temperature in a shorter amount of time.

Blodgett convection ovens represent the latest advancement in energy efficiency, reliability, and ease of operation. Heat normally lost, is recirculated within the cooking chamber before being vented from the oven: resulting in substantial reductions in energy consumption and enhanced oven performance.

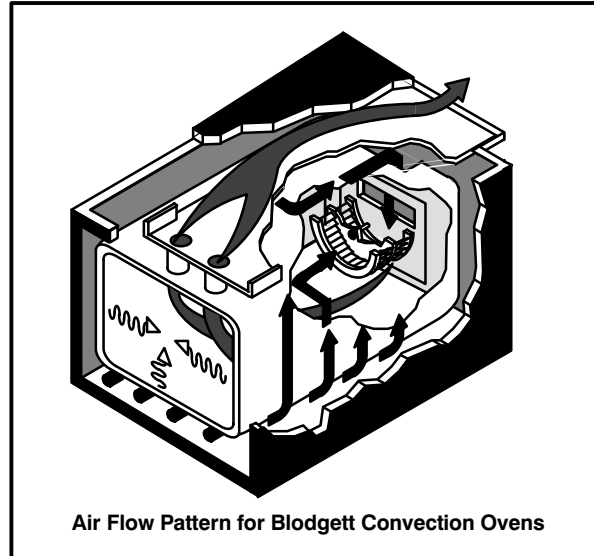


Figure 1

GAS SPECIFICATIONS – ZEPHAIRE–240G				
	Natural Gas		Propane Gas	
	US Units	SI Units	US Units	SI Units
Heating Value	1000 BTU/cu. ft.	37.3 MJ/m ³	2550 BTU/cu. ft.	95.0 MJ/m ³
Specific Gravity (air=1.0)	0.63	0.63	1.53	1.53
Oven Input	50,000 BTU/hr	14.6 kW	50,000 BTU/hr	14.63 kW
Main Burner Orifice Size	42 MTD*	2.4 mm	0.055 dia	1.4 mm

* MTD – Multiple Twist Drill



Delivery and Location

DELIVERY AND INSPECTION

All Blodgett ovens are shipped in containers to prevent damage. Upon delivery of your new oven:

- Inspect the shipping container for external damage. Any evidence of damage should be noted on the delivery receipt which must be signed by the driver.
- Uncrate the oven and check for internal damage. Carriers will accept claims for concealed damage if notified within fifteen days of delivery and the shipping container is retained for inspection.

The Blodgett Oven Company cannot assume responsibility for loss or damage suffered in transit. The carrier assumed full responsibility for delivery in good order when the shipment was accepted. We are, however, prepared to assist you if filing a claim is necessary.

OVEN LOCATION

The well planned and proper placement of your oven will result in long term operator convenience and satisfactory performance.

The following clearances must be maintained between the oven and any combustible or non-combustible construction.

- Oven body right side – 2” (51 cm)
- Oven body left side – 2” (51 cm)
- Oven body back – 0” (0 cm)

The following clearances must be available for servicing.

- Oven body sides – 12” (30 cm)
- Oven body back – 12” (30 cm)

NOTE: On gas models, routine servicing can usually be accomplished within the limited movement provided by the gas hose restraint. If the oven needs to be moved further from the wall, the gas must first be turned off and disconnected from the oven before removing the restraint. Reconnect the restraint after the oven has been returned to its normal position.

It is essential that an adequate air supply to the oven be maintained to provide a sufficient flow of combustion and ventilation air.

- Place the oven in an area that is free of drafts.
- Keep the oven area free and clear of all combustibles such as paper, cardboard, and flammable liquids and solvents.
- Do not place the oven on a curb base or seal to a wall. This will restrict the flow of air and prevent proper ventilation. Tripping of the blower motor’s thermal overload device is caused by an excessive ambient temperature on the right side of the oven. This condition must be corrected to prevent permanent damage to the oven.
- The location must provide adequate clearance for the air opening into the combustion chamber.

Before making any utility connections to this oven, check the rating plate to be sure the oven specifications are compatible with the gas and electrical services supplied for the oven.

1. Remove the combustion compartment cover. The rating plate is attached to the frame on the left side of the combustion compartment.



Installation

Utility Connections – Standards and Codes

THE INSTALLATION INSTRUCTIONS CONTAINED HEREIN ARE FOR THE USE OF QUALIFIED INSTALLATION AND SERVICE PERSONNEL ONLY. INSTALLATION OR SERVICE BY OTHER THAN QUALIFIED PERSONNEL MAY RESULT IN DAMAGE TO THE OVEN AND/OR INJURY TO THE OPERATOR.

Qualified installation personnel are individuals, a firm, a corporation, or a company which either in person or through a representative are engaged in, and responsible for:

- the installation or replacement of gas piping and the connection, installation, repair or servicing of equipment.
- the installation of electrical wiring from the electric meter, main control box or service outlet to the electric appliance.

Qualified installation personnel must be experienced in such work, familiar with all precautions required, and have complied with all requirements of state or local authorities having jurisdiction.

U.S. and Canadian installations

Installation must conform with local codes, or in the absence of local codes, with the *National Fuel Gas Code, NFPA54/ANSI Z223.1—Latest Edition, the Natural Gas Installation Code CAN/CGA-B149.1* or the *Propane Installation Code, CAN/CGA-B149.2* as applicable.

Installation must conform with local codes, or in the absence of local codes, with the *National Electrical Code, ANSI/NFPA 70—Latest Edition and/or Canadian National Electric Code C22.2* as applicable.

Appliance is to be installed with backflow prevention in accordance with applicable federal, province and local codes.

General export installations

Installation must conform with Local and National installation standards. Local installation codes and/or requirements may vary. If you have any questions regarding the proper installation and/or operation of your Blodgett oven, please contact your local distributor. If you do not have a local distributor, please call the Blodgett Oven Company at 0011-802-860-3700.



Oven Assembly

NSF BOLTS

These bolts are required by NSF to block any exposed hole on the back of an oven. This includes:

- any unit, single or stacked, without a back panel.

- any holes in stacked units not used for mounting stacking brackets.

1. Locate the 5/16" bolts that were shipped with the oven.
2. Install the bolts as shown in Figure 2.

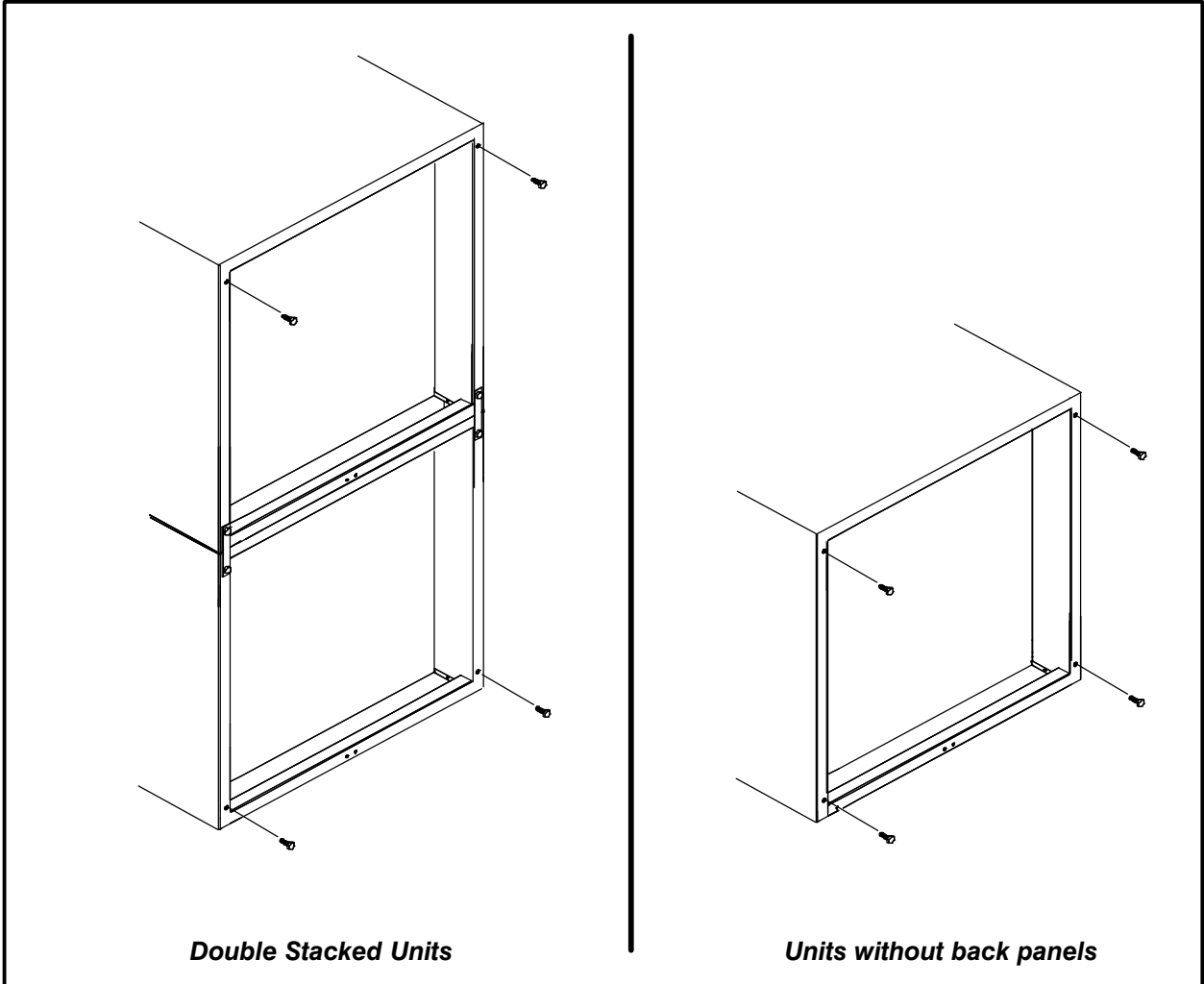


Figure 2



Installation

Oven Assembly

LEG ATTACHMENT

1. Push the oven onto a lift with the bottom of the oven down.
2. Align the threaded stud in each leg with the nut located inside each bottom corner of the oven frame. Turn the legs clockwise and tighten to the nearest full turn.
3. Align the two leg plate holes in each leg with those in the oven bottom. Secure each leg using two 1/2" bolts.

NOTE: If using casters see CASTER ASSEMBLY before proceeding.

4. Level the oven by screwing the adjustable leg feet in or out as necessary.

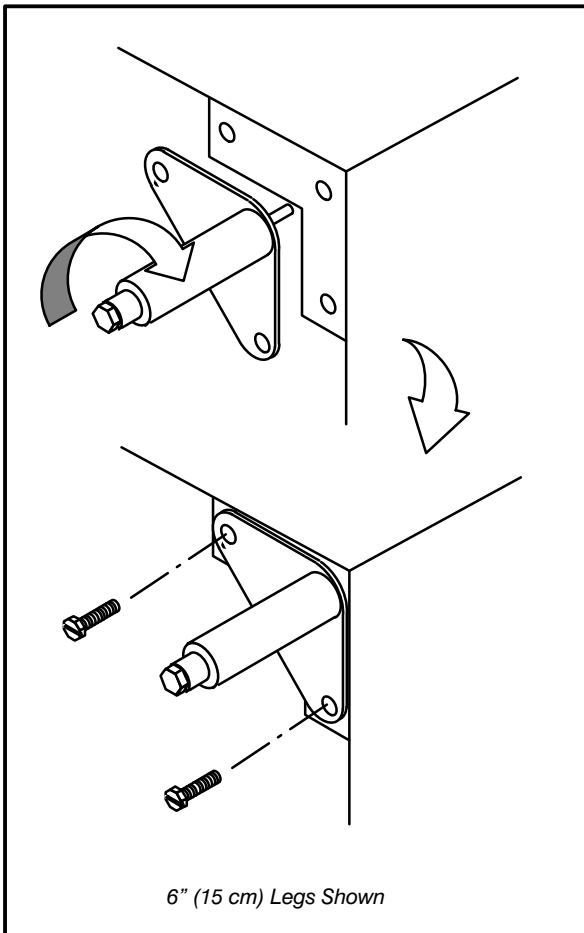


Figure 3

CASTER ASSEMBLY

NOTE: Install the locking casters on the front of the oven. Install the non-locking casters on the back of the oven.

NOTE: Use a gas hose restraint on all units with casters. See page 12.

Castors for Single and Double Stacked Ovens:

1. Attach the legs as described.
2. Pry the adjustable feet out of the legs.
3. Insert one caster into each leg as shown. Tighten the large hex nut to secure the casters.

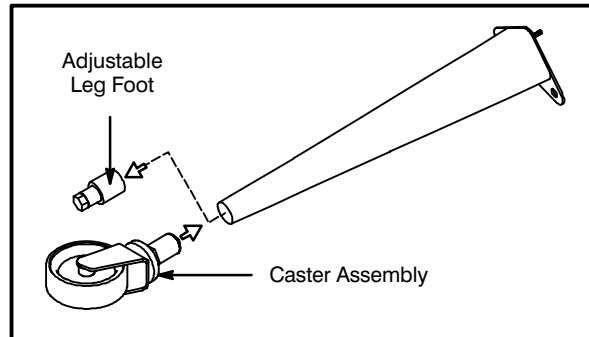


Figure 4

Low Profile Casters for Double Stacked Ovens:

1. Align the three holes in each caster assembly plate with those in the oven bottom. Secure each caster using three 1/2" bolts.

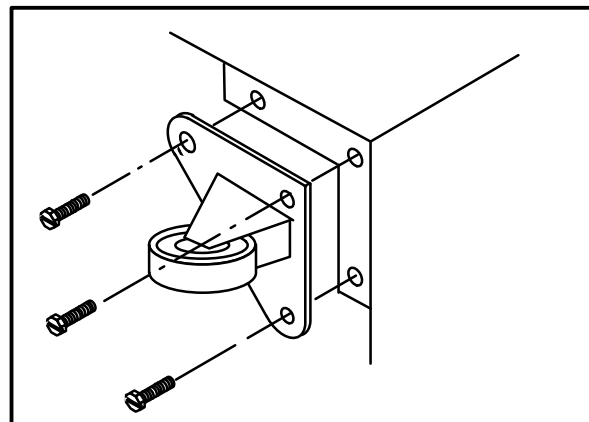


Figure 5



Oven Assembly

DOUBLE SECTION ASSEMBLY

1. Secure the short legs to the bottom sections as described.
2. Place the upper section in position on top of the lower oven.
3. Attach the stacking brackets using the remaining 5/16" bolts shipped with the ovens.
4. Attach the flue connector.



WARNING!!

When stacking ovens be sure to remove the single oven flue boxes prior to attaching three-piece connector.

OVEN LEVELING

After assembly, the oven should be leveled and moved to the operating location.

1. The oven can be leveled by adjusting the feet or casters located on the bottom of each leg.

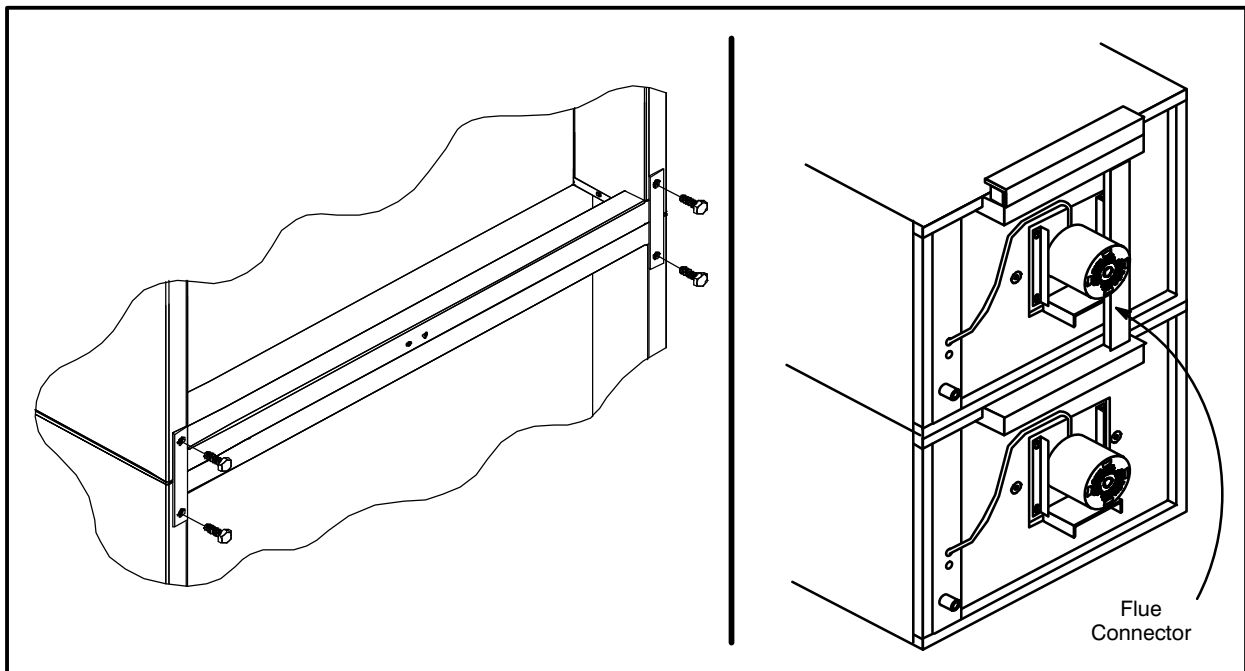


Figure 6



Installation

Ventilation

On gas models the installation of a proper ventilation system cannot be over emphasized. This system removes unwanted vapors and products of combustion from the operating area.

This oven may be vented using either:

- A mechanically driven, canopy type, exhaust hood, or
- A direct flue arrangement.

U.S. and Canadian installations

Refer to your local ventilation codes. In the absence of local codes, refer to the National ventilation code titled, *“Standard for the Installation of Equipment for the Removal of Smoke and Grease Laden Vapors from Commercial Cooking Equipment”*, NFPA-96-Latest Edition.

Australia and general export installations

Installation must conform with Local and National installation standards. Local installation codes and/or requirements may vary. If you have any questions regarding the proper installation and/or operation of your Blodgett oven, please contact your local distributor. If you do not have a local distributor, please call the Blodgett Oven Company at 0011-802-860-3700.



WARNING:

Failure to properly vent the oven can be hazardous to the health of the operator and may result in operational problems, unsatisfactory baking and possible damage to the equipment.

Damage sustained as a direct result of improper ventilation will not be covered by the manufacturer’s warranty.

CANOPY TYPE EXHAUST HOOD

A mechanically driven, canopy type exhaust hood is the preferred method of ventilation.

The hood should be sized to completely cover the equipment plus an overhang of at least 6” (15 cm) on all sides not adjacent to a wall. The distance from the floor to the lower edge of the hood should not exceed 7’ (2.1m).

The total makeup and exhaust air requirements for hood capacity should be approximately 30 CFM (.85 m³) for each oven section.

Installing the canopy hood draft diverter

Ovens ordered for hood venting are supplied with a draft diverter. Install the draft diverter as follows:

1. Place the diverter over the flue connector with the open area facing the front of the oven. See Figure 7.
2. Secure both ends with the sheet metal screws provided.

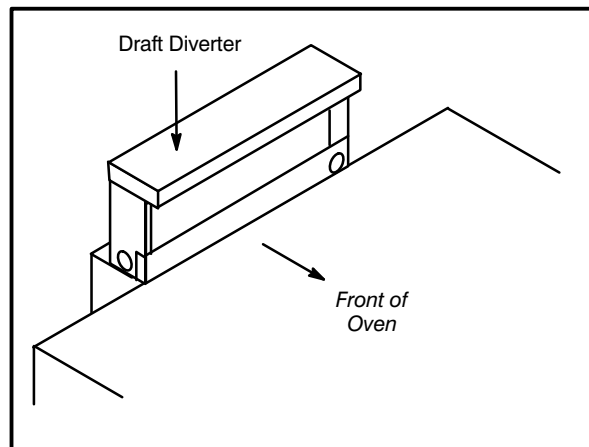


Figure 7



DIRECT FLUE ARRANGEMENT

When the installation of a mechanically driven exhaust hood is impractical the oven may be vented by a direct flue arrangement.



WARNING!!

It is essential that the direct flue be installed as follows. Incorrect installation will result in unsatisfactory baking and oven damage.

The flue must be class B or better with a diameter of 6" (15 cm). The height of the flue should rise 6-8 ft (2-2.5 m) above the roof of the building or any proximate structure. Never direct vent the oven into a hood. The flue should be capped with a UL Listed type vent cap to isolate the unit from external environmental conditions.

The direct vent cannot replace air consumed and vented by the oven. Provisions must be made to supply the room with sufficient make-up air. Total make-up air requirements for each oven section should be approximately 30 CFM (.85m³) per section. To increase the supply air entering the room, a ventilation expert should be consulted.

Installing the draft hood

Ovens ordered for direct venting are supplied with a draft hood. Install the draft hood as follows:

1. Place the draft hood over the flue connector. See Figure 8.
2. Secure both ends with the sheet metal screws provided.

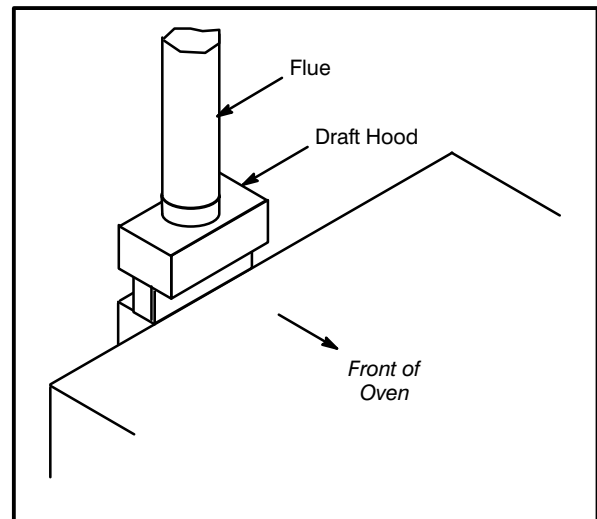


Figure 8



Installation

Gas Connection

GAS PIPING

A properly sized gas supply system is essential for maximum oven performance. Piping should be sized to provide a supply of gas sufficient to meet the maximum demand of all appliances on the line without loss of pressure at the equipment.

Example:

NOTE: BTU values in the following example are for natural gas.

You purchase a Zephaire-G convection oven to add to your existing cook line.

- Add the BTU rating of your current appliances.

Pitco Fryer	120,000 BTU
6 Burner Range	60,000 BTU
Deck Oven	<u>50,000 BTU</u>
Total	230,000 BTU

- Add the BTU rating of the new oven to the total.

Previous Total	230,000 BTU
Zephaire-240G	<u>50,000 BTU</u>
New Total	280,000 BTU

- Measure the distance from the gas meter to the cook line. This is the pipe length. Let's say the pipe length is 40' (12.2 m) and the pipe size is 1" (2.54 cm).

- Use the appropriate table to determine the total capacity of your current gas piping.

The total capacity for this example is 320,000 BTU. Since the total required gas pressure, 280,000 BTU is less than 320,000 BTU, the current gas piping will not have to be increased.

NOTE: The BTU capacities given in the tables are for straight pipe lengths only. Any elbows or other fittings will decrease pipe capacities. Contact your local gas supplier if you have any questions.

Maximum Capacity of Iron Pipe in Cubic Feet of Natural Gas Per Hour
(Pressure drop of 0.5 Inch W.C.)

Pipe Length (ft)	Nominal Size, Inches				
	3/4"	1"	1-1/4"	1-1/4"	2"
10	360	680	1400	2100	3950
20	250	465	950	1460	2750
30	200	375	770	1180	2200
40	170	320	660	990	1900
50	151	285	580	900	1680
60	138	260	530	810	1520
70	125	240	490	750	1400
80	118	220	460	690	1300
90	110	205	430	650	1220
100	103	195	400	620	1150

From the National Fuel Gas Code Part 10 Table 10-2

Maximum Capacity of Pipe in Thousands of BTU/hr of Undiluted L.P. Gas at 11" W.C.
(Pressure drop of 0.5 Inch W.C.)

Pipe Length (ft)	Outside Diameter, Inches		
	3/4"	1"	1-1/2"
10	608	1146	3525
20	418	788	2423
30	336	632	1946
40	287	541	1665
50	255	480	1476
60	231	435	1337
70	215	404	1241
80	198	372	1144
90	187	351	1079
100	175	330	1014

From the National Fuel Gas Code Part 10 Table 10-15

Gas Connection

PRESSURE REGULATION AND TESTING

Zephaire-240G ovens are rated at 50,000 BTU/Hr. (14.6 kW) (53 MJ) per section. Each oven has been adjusted at the factory to operate with the type of gas specified on the rating plate.

Inlet Pressure				
	Natural		Propane	
	Min	Max	Min	Max
W.C.	7.0	10.5	11.0	13.0
kPa	1.43	2.61	2.74	3.23
Manifold Pressure				
	Natural		Propane	
	W.C.			
	3.5		10.0	
kPa	.87		2.49	

- **Inlet Pressure** – the pressure of the gas before it reaches the oven.
- **Manifold Pressure** – the pressure of the gas as it enters the main burner(s).
- **Min** – the minimum pressure recommended to operate the oven.
- **Max** – the maximum pressure at which the manufacturer warrants the oven's operation.

Each oven is supplied with a regulator to maintain the proper gas pressure. **The regulator is essential to the proper operation of the oven and should not be removed.** It is preset to provide the oven with 3.5" W.C. (0.87 kPa) for natural gas and 10.5" W.C. (2.50 kPa) for Propane at the manifold.

DO NOT INSTALL AN ADDITIONAL REGULATOR WHERE THE OVEN CONNECTS TO THE GAS SUPPLY UNLESS THE INLET PRESSURE IS ABOVE MAXIMUM.

Prior to connecting the oven, gas lines should be thoroughly purged of all metal filings, shavings, pipe dope, and other debris. After connection, the oven should be checked for correct gas pressure.

The oven and its individual shutoff valve must be disconnected from the gas supply piping system during any pressure testing of that system at test pressures in excess of 1/2 psig (3.45kPa).

The oven must be isolated from the gas supply piping system by closing its individual manual shutoff valve during any pressure testing of the gas piping system at test pressures equal or less than 1/2 psig (3.45kPa).

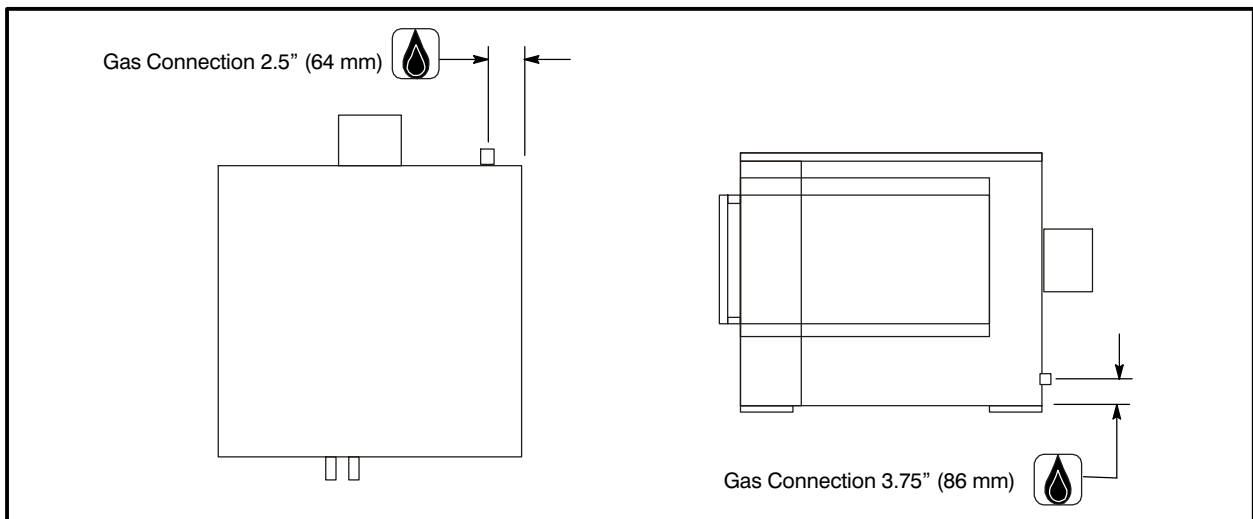


Figure 9



Installation

Gas Connection

GAS HOSE RESTRAINT

If the oven is mounted on casters, a commercial flexible connector with a minimum of 3/4" (1.9 cm) inside diameter must be used along with a quick connect device.

The restraint, supplied with the oven, must be used to limit the movement of the unit so that no strain is placed upon the flexible connector. With the restraint fully stretched the connector should be easy to install and quick connect.

The restraint (ie: heavy gauge cable) should be 1,000 lb. (453 kg) test load and should be attached without damaging the building. DO NOT use the gas piping or electrical conduit for the attachment of the permanent end of the restraint! Use anchor bolts in concrete or cement block. On wooden walls, drive hi test wood lag screws into the studs of the wall.

1. Mount the supplied bracket to the leg bolt just below the gas inlet. See Figure 10.
2. Attach the clip on restraining cable to the mounting bracket.

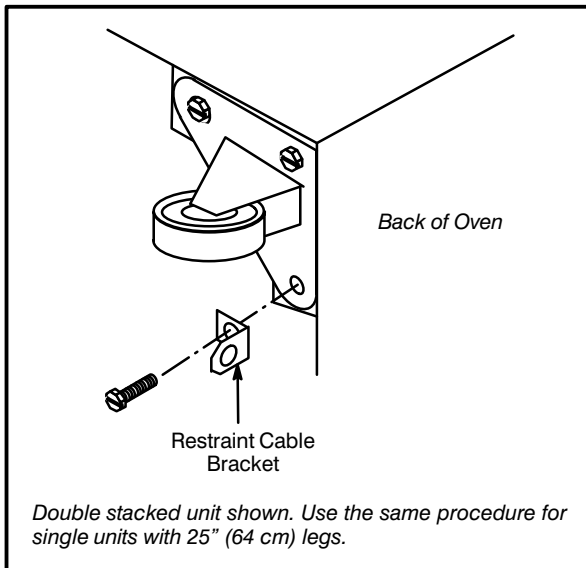


Figure 10



WARNING!!

If the restraint is disconnected for any reason it must be reconnected when the oven is returned to its original position.

U.S. and Canadian installations

The connector must comply with the *Standard for Connectors for Movable Gas Appliances, ANSI Z21.69* or *Connectors For Moveable Gas Appliances CAN/CGA-6.16-M87* and a quick disconnect device that complies with the *Standard for Quick-Disconnect Devices for Use With Gas Fuel, ANSI Z21.41* or *Quick Disconnect For Use With Gas Fuel CAN 1-6.9*. Adequate means must be provided to limit the movement of the appliance without depending on the connection and the quick disconnect device or its associated piping.

Australia and general export installations

The restraint and quick connect must conform with Local and National installation standards. Local installation codes and/or requirements may vary. If you have any questions regarding the proper installation and/or operation of your Blodgett oven, please contact your local distributor. If you do not have a local distributor, please call the Blodgett Oven Company at 0011-802-860-3700.

Electrical Connection

Wiring diagrams are located in the control compartment and on the back of the oven.

This oven is supplied for connection to 115 volt grounded circuits. The electric motor, indicator lights and related switches are connected through the 6' electric supply cord found at the rear of the oven.



WARNING!!

This appliance is equipped with three prong grounding type plug for your protection against shock hazard and should be plugged directly into a properly grounded three prong receptacle. DO NOT cut or remove the grounding prong from this plug.

THE BLODGETT OVEN COMPANY CANNOT ASSUME RESPONSIBILITY FOR LOSS OR DAMAGE SUFFERED AS A RESULT OF IMPROPER INSTALLATION.

ELECTRICAL SPECIFICATIONS					
Model	Hz	Volts	Phase	Amps	Electrical Connection (minimum size)
U.S. and Canadian Installations					
Zephaire-240G Plus	60	115	1	6	Cord set provided



Installation

Initial Startup

The following is a check-list to be completed by qualified personnel prior to turning on the appliance for the first time.

- Open the manual shut-off valve at the rear of the oven.
- Remove the control panel and combustion covers.
- Turn the combination valve's manual shut-off to the on position.
- Turn the selector switch to Cook, and the thermostat to 500°F (260°C).

The oven main burner lights, and the Oven Ready Light comes on. With the main burner on, check the following.

- Verify there are no gas leaks, by checking all gas connections with a soapy water solution.
- Verify that the inlet pressure is correct. The inlet pressure can be checked at the pressure tap located on the combination valve's inlet side.
- Verify that the manifold pressure is correct. The manifold pressure can be checked at the pressure tap located on the combination valve's outlet side.
- If the above pressure readings are set to the recommended pressure requirements, allow the oven to burn-off for 2 hours. If the pressure readings are not set correctly, turn off the oven and readjust accordingly.



WARNING

The break in procedure burns off excess oils present in the metals during fabrication. Smoke may be produced. Proper ventilation is required.

ADJUSTMENTS ASSOCIATED WITH INITIAL INSTALLATION

Each oven, and its component parts, have been thoroughly tested and inspected prior to shipment. However, it is often necessary to further test or adjust the oven as part of a normal and proper installation. These adjustments are the responsibility of the installer, or dealer. Since these adjustments are not considered defects in material or workmanship, they are not covered by the Original Equipment Warranty. They include, but are not limited to:

- calibration of the thermostat
- adjustment of the doors
- burner adjustments
- leveling
- testing of gas pressure
- tightening of fasteners.

No installation should be considered complete without proper inspection, and if necessary, adjustment by qualified installation or service personnel.



Safety Information

THE INFORMATION CONTAINED IN THIS SECTION IS PROVIDED FOR THE USE OF QUALIFIED OPERATING PERSONNEL. QUALIFIED OPERATING PERSONNEL ARE THOSE WHO HAVE CAREFULLY READ THE INFORMATION CONTAINED IN THIS MANUAL, ARE FAMILIAR WITH THE FUNCTIONS OF THE OVEN AND/OR HAVE HAD PREVIOUS EXPERIENCE WITH THE OPERATION OF THE EQUIPMENT DESCRIBED. ADHERENCE TO THE PROCEDURES RECOMMENDED HEREIN WILL ASSURE THE ACHIEVEMENT OF OPTIMUM PERFORMANCE AND LONG, TROUBLE-FREE SERVICE.

Please take the time to read the following safety and operating instructions. They are the key to the successful operation of your Blodgett conveyor oven.



SAFETY TIPS

For your safety read before operating

What to do if you smell gas:

- DO NOT try to light any appliance.
- DO NOT touch any electrical switches.
- Use an exterior phone to call your gas supplier immediately.
- If you cannot reach your gas supplier, call the fire department.

What to do in the event of a power failure:

- Turn all switches to off.
- DO NOT attempt to operate the oven until the power is restored.

NOTE: In the event of a shut-down of any kind, allow a five (5) minute shut off period before attempting to restart the oven.

General safety tips:

- DO NOT use tools to turn off the gas control. If the gas cannot be turned off manually do not try to repair it. Call a qualified service technician.
- If the oven needs to be moved for any reason, the gas must be turned off and disconnected from the unit before removing the restraint cable. Reconnect the restraint after the oven has been returned to its original location.
- DO NOT remove the control panel cover unless the oven is unplugged.



Operation

Standard Control

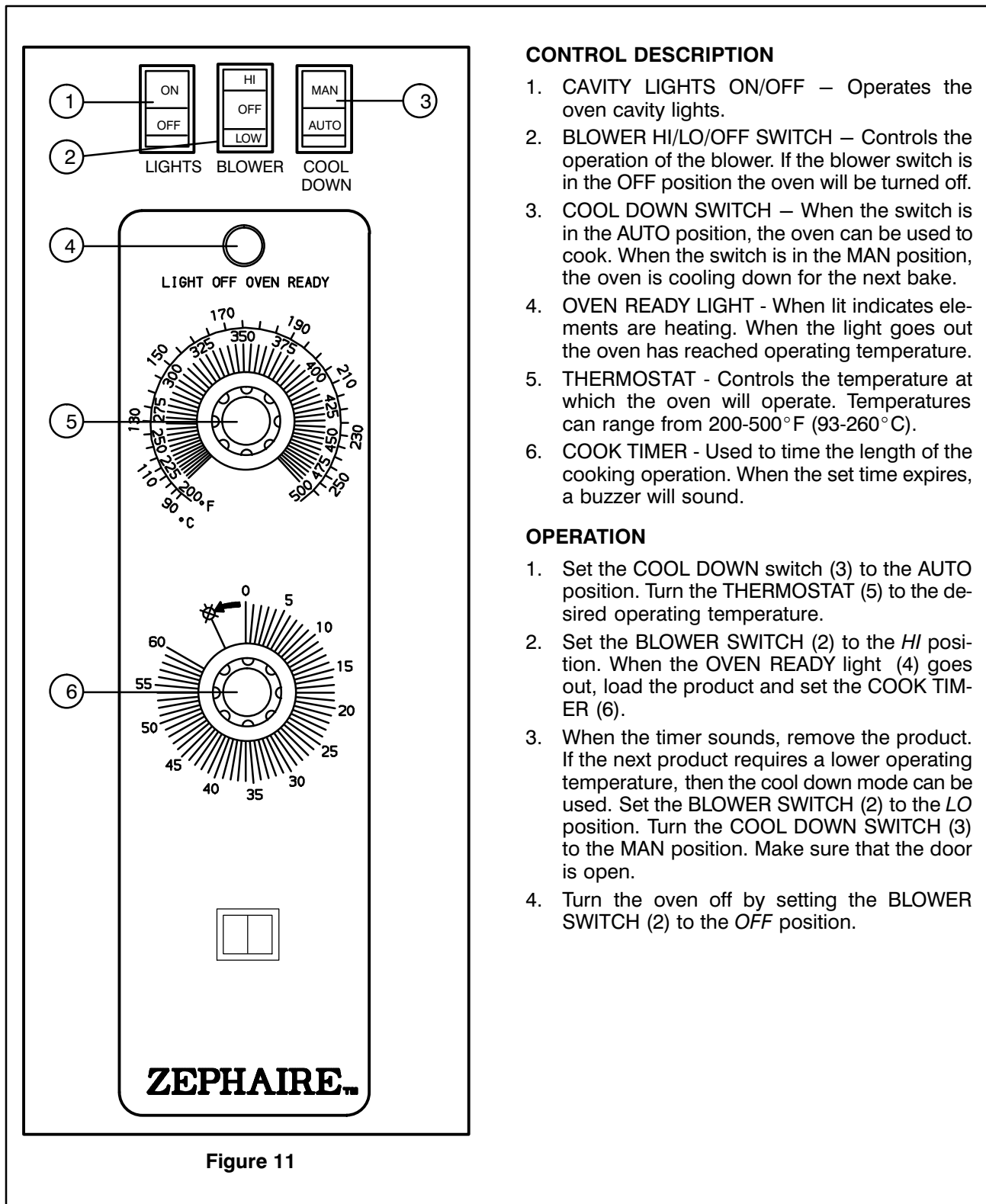


Figure 11

Solid State Digital Control

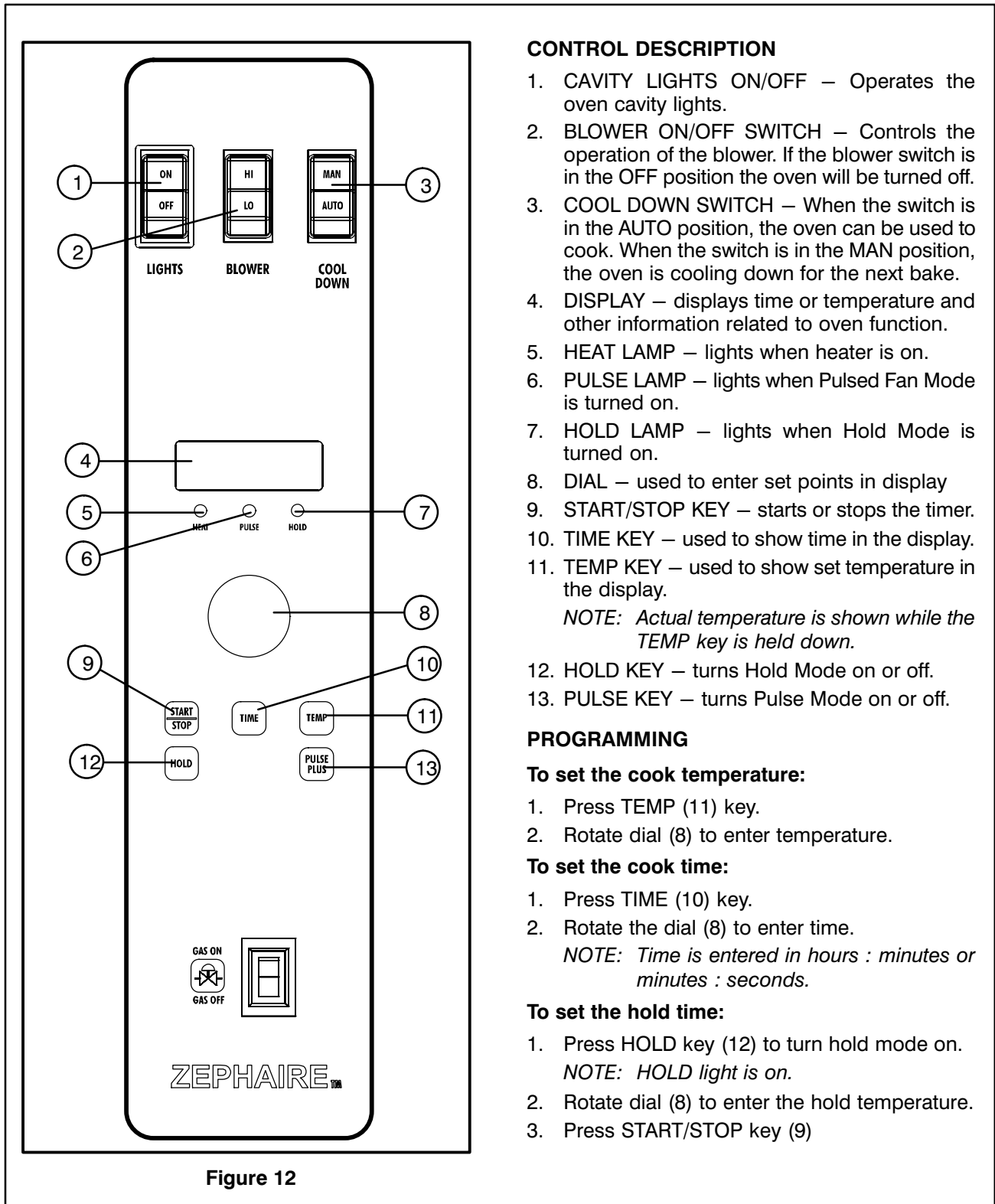


Figure 12



Operation

Solid State Digital Control

To set the pulse time:

1. Press PULSE KEY (13) to turn pulse mode on.
NOTE: Pulse light is on.
2. Rotate DIAL (8) to enter the pulse time. Pulse time is a portion of the pre-set cook time.

OPERATION

Cook Only:

1. Turn the BLOWER switch (2) to the desired position.
2. Enter the cook time and temperature.
3. Load product into the oven.
NOTE: The display reads LOAD when the oven is near the set temperature.
4. Press the START/STOP key (9). The timer begins to count down.
5. When the cook timer reaches 00:00 the buzzer sounds and the display reads *DONE*.
6. Press the START/STOP key (9) to silence the buzzer.
7. Remove the product.

Cook with Hold:

NOTE: HOLD light is on when hold mode is on and off when hold mode is off.

1. Turn the BLOWER switch (2) to the desired position.
2. Enter the cook time and temperature.
3. Press the HOLD key (12). Enter the hold temperature.
4. Load product into the oven.
NOTE: The display reads LOAD when the oven is near the set temperature.
5. Push the START/STOP (9) key. Timer begins to count down.
6. When the cook timer reaches 00:00 the buzzer sounds and the display reads *DONE*. The buzzer turns off after a few seconds. The display reads *HOLD* until the oven reaches the hold temperature. Then the timer begins to count up.
7. Push the START/STOP key (9) to stop timer.
8. Remove the product.
9. Push HOLD (12) key to turn off hold mode.

Cook with Pulse:

NOTE: PULSE light is on when pulse mode is on and off when pulse mode is off.

1. Turn the BLOWER switch (2) to the desired position.
2. Enter cook time and cook temperature.
3. Press PULSE KEY (13). Enter the pulse time.
NOTE: Pulse time is a portion of the cook time and does not increase the previously entered cook time.
4. Load product into the oven.
NOTE: The display reads LOAD when the oven is near the set temperature.
5. Push START/STOP KEY (9). The timer begins to count down the cook time. The oven will be in pulse mode for the set pulse time. Once the set time has expired, the unit will automatically switch to cook mode and continue counting down.
6. When the cook timer reaches 00:00 the buzzer sounds and the display reads *DONE*.
7. Push the START/STOP KEY (9) to turn the buzzer off.
8. Remove the product.



WARNING!!

A complete five minute shutdown must be observed before the oven is relighted.

General Guidelines for Operating Personnel

COOK TIMES AND TEMPERATURES

Preheating the oven

Always preheat the oven before baking or roasting. We recommend preheating 50°F (28°C) above the cook temperature to offset the drop in temperature when the doors are opened and cold product is loaded into the oven. Set the thermostat to the cook temperature after the product is loaded.

NOTE: For frozen product, preheat the oven 100°F (56°C) above the cook temperature.

Cook Temperatures

Generally, cook temperatures should be 50°F (28°C) lower than deck or range oven recipes. Use this as a starting point and adjust the temperature as necessary. If the edges of the product are done but the center is raw, or if there is color variation, reduce the thermostat setting another 15-25°F (10-15°C). Continue to reduce the cook temperature on successive loads until the desired results are achieved.

NOTE: Cooking at excessive temperatures will not reduce cook time, it will produce unsatisfactory baking and roasting results.

Cook Time

Check the product in about half the time recommended for deck or range oven recipes. Record times and temperatures which provide best results for future reference.

NOTE: Cook time will vary with the amount of product loaded, the type of pan and the temperature.

OPERATING TIPS

Pans and Racks

Product or pan height determines how many racks are used. The oven holds up to 10 18" x 26" (45.7 x 66.0 cm) bun pans.

Load the oven from the bottom, centering the pans on the rack. Never place a pan or aluminum foil on the bottom of the oven. This obstructs the flow of air and results in uneven baking and roasting.

Roasting

To reduce shrinkage when roasting, place meat directly on the racks. Place a sheet pan one-half full of water in the bottom rack position. The water evaporates, increasing humidity in the oven chamber. The pan catches grease from the meat, making oven cleaning easier.

Baking

Weigh the product to ensure equal distribution in each pan. Varying amounts of product will cause uneven baking results.

Fans

The fan must be operating for the oven to heat. Use the Pulse Plus feature to allow light or liquid product to set in the pan and to avoid rippling towards the fan. If your oven is not equipped with this feature use the following procedure.

1. Preheat the oven 25°F (15°C) above the baking temperature.
2. Load the oven with product. Close the doors.
3. Set the thermostat to the baking temperature.
4. Turn the oven off.
5. Allow the product to set for 5-7 minutes with the fan off. The residual heat in the oven sets the product.
6. Turn the oven on for the remainder of the bake.

Lights

Turn the oven lights off when not viewing the product. Leaving the lights on for extended periods of time shortens the bulb life considerably.



Operation

Suggested Times and Temperatures

Product	Temperature	Time	# Shelves
Meats			
Hamburger Patties (5 per lb)	400°F (205°C)	8-10 mins.	10
Steamship Round (80 lb. quartered)	275°F (135°C)	2 hrs 45 mins.	2
Standing Rib Choice (20 lbs, trimmed, rare)	235°F (115°C)	2 hrs 45 mins.	2
Banquet Shell Steaks (10 oz. meat)	450°F (235°C)	7-8 mins.	5
Swiss Steak after Braising	275°F (135°C)	1 hr.	5
Baked Stuffed Pork Chop	375°F (190°C)	25-30 mins.	5
Boned Veal Roast (15 lbs.)	300°F (150°C)	3 hrs. 10 mins.	2
Lamb Chops (small loin)	400°F (205°C)	7-8 mins.	5
Bacon (on racks in 18" x 26" pans)	400°F (205°C)	5-7 mins.	10
Poultry			
Chicken Breast & Thigh	350°F (175°C)	40 mins.	5
Chicken Back & Wing	350°F (175°C)	35 mins.	5
Chicken (2 ¹ / ₂ lbs. quartered)	350°F (175°C)	30 mins.	5
Turkey Rolled (18 lb. rolls)	310°F (155°C)	3 hrs 45 mins.	3
Fish and Seafood			
Halibut Steaks, Cod Fish (frozen 5 oz)	350°F (175°C)	20 mins.	5
Baked Stuffed Lobster (2 ¹ / ₂ lb.)	400°F (205°C)	10 mins.	3
Lobster Tails (frozen)	425°F (220°C)	9 mins.	5
Cheese			
Macaroni & Cheese Casserole	350°F (175°C)	30 mins.	5
Melted Cheese Sandwiches	400°F (205°C)	8 mins.	10
Potatoes			
Idaho Potatoes (120 ct.)	400°F (205°C)	50 mins.	5
Oven Roasted Potatoes (sliced or diced)	325°F (165°C)	10 mins.	5
Baked Goods			
Frozen Berry Pies (22 oz)	325°F (150°C)	35 mins.	5 (30 pies)
Fresh Apple Pie (20 oz.)	350°F (175°C)	25-30 mins.	5 (30 pies)
Pumpkin Pies (32 oz.)	300°F (150°C)	30-50 mins.	5 (20 pies)
Fruit Crisp	300°F (150°C)	25 mins.	5
Bread (24 - 1 lb. loaves)	325°F (155°C)	30 mins.	3
Southern Corn Bread	375°F (190°C)	15-20 mins.	5
Baking Soda Biscuits	400°F (205°C)	6 mins.	5
Brown & Serve Rolls	350°F (175°C)	15 mins.	5
Sheet Cakes (5 lb. mixed batter per pan)	325°F (160°C)	16-18 mins.	5
Chocolate Cake	325°F (160°C)	20 mins.	5
Brownies	325°F (150°C)	15 mins.	5

NOTE: Actual times and temperatures may vary considerably from those shown above. They are affected by weight of load, temperature of the product, recipe, type of pan and calibration of thermostat. Should your recipe vary, write in your proven time and temperature for ready reference.



Cleaning and Preventative Maintenance

CLEANING THE OVEN



WARNING!!

Always clean the unit when it is cold.



WARNING!!

Be sure to read and follow the MSDS or safety instructions on the bottle for your oven cleaner.

Cleaning the Exterior

1. Saturate a cloth with stainless steel cleaner and wipe down the exterior.

NOTE: Heat tint and heavy discoloration may be removed with any non-caustic commercial oven cleaner.

2. Dry the oven with a clean cloth.

Cleaning the Oven Interior

1. Remove the racks, rack supports and blower wheel cover (back panel) from the oven. Soak the parts in a solution of ammonia and water.

NOTE: To remove the blower wheel cover loosen the screws in each corner. Then lift up and out.

2. The porcelain interior can be cleaned with any commercial oven cleaner. Be sure caustic cleaning compounds DO NOT come in contact with the temperature probe, heating element, and blower wheel. Let the cleaner sit for 10-20 minutes or the length of time recommended on your cleaner.
3. Wipe out the cleaner with a wet cloth.
4. Reinstall the racks, rack supports and blower wheel cover.

Weekly Cleaning

Be sure the air intake (cooling fan) behind the oven is free of all lint, grease or other air flow inhibitors. Keeping the air intake free of obstructions will extend the life of the oven components.

PREVENTATIVE MAINTENANCE

The best preventative maintenance measures are, the proper installation of the equipment and a program for routinely cleaning the ovens.

Annual Maintenance

This oven requires no lubrication, however, the venting system should be checked annually for possible deterioration resulting from moisture and corrosive flue products.

If maintenance or repairs are required, contact your local Blodgett service company, a factory representative or the Blodgett Oven company.



WARNING!!

Always disconnect the appliance from the power supply before servicing or cleaning.



Maintenance

Troubleshooting Guide

POSSIBLE CAUSE(S)	SUGGESTED REMEDY
SYMPTOM: Oven will not fire.	
<ul style="list-style-type: none"> • Gas turned off. • Oven not plugged in. • Power switch on the control panel is off. • Control set below ambient temperature. • Doors are open. 	<ul style="list-style-type: none"> • Turn the gas valve to ON. • Plug in electrical supply cord. • Set the control panel to COOK or OVEN ON. • Set to desired cook temperature. • Close doors.
SYMPTOM: Oven does not come to ready.	
<ul style="list-style-type: none"> • The oven has not reached preheat temperature. • Gas valve not turned on completely. • The quick disconnect is not connected. • Gas pressure to oven is too low. • Internal problem with main temperature control. 	<ul style="list-style-type: none"> • Wait for oven to reach preheat temperature. • Check the gas valve, turn on fully if necessary. • Reconnect the quick connect. Check all gas connections. • Call your local gas representative. • *
SYMPTOM: Convection fan does not run.	
<ul style="list-style-type: none"> • Oven is not plugged in. • Circuit breaker tripped. • Doors are open 	<ul style="list-style-type: none"> • Plug in electrical supply cord. • Reset the breaker. • Close doors.
SYMPTOM: General baking problems.	
<ul style="list-style-type: none"> • Thermostat out of calibration. • Improper oven venting. 	<ul style="list-style-type: none"> • * • *
<p>*Denotes remedy is a difficult operation and should be performed by qualified personnel only. It is recommended, however, that All repairs and/or adjustments be done by your local Blodgett service agency and not by the owner/operator. Blodgett cannot assume responsibility for damage as a result of servicing done by unqualified personnel.</p>	



WARNING!!

Always disconnect the power supply before cleaning or servicing the oven.

Zephaire-G240
Fours à Convection
Manuel D'Installation – Utilisation – Entretien

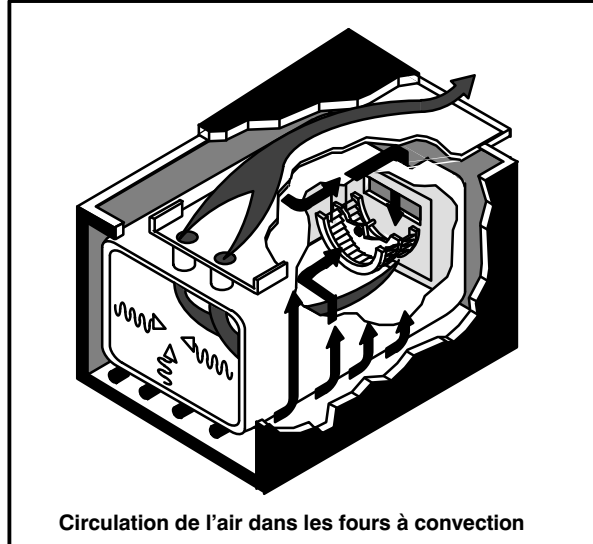


Installation

Description et Spécifications du Four

La cuisson dans un four à convection diffère de la cuisson dans un four de cuisine ordinaire en ce sens que de l'air chaud circule en permanence autour de l'aliment cuit, sous l'effet d'un ventilateur enfermé dans une enceinte spéciale. Le mouvement continu de l'air, en éliminant constamment la couche d'air froid qui se formerait autrement autour de l'aliment, permet la pénétration plus rapide de la chaleur. Il en résulte un aliment de qualité comparable à ceux préparés dans un four ordinaire, mais cuit à température inférieure et en moins de temps.

Le four à convection représente ce qu'il y a de plus perfectionné en termes de rendement énergétique, de fiabilité et de facilité d'emploi. Comme la source thermique se trouve à l'intérieur même de la chambre de cuisson, d'importantes économies d'énergie peuvent être réalisées en même temps que d'excellents résultats de cuisson.



Circulation de l'air dans les fours à convection

Figure 1

SPECIFICATIONS POUR DE ZEPHAIRE-240G PLUS				
	Gaz Naturel		Gaz Propane	
	Unités US	Unités SI	Unités US	Unités SI
Valeur de Chauffe	1000 BTU/cu. ft.	37.3 MJ/m ³	2550 BTU/cu. ft.	95.0 MJ/m ³
Gravité Spécifique (air=1.0)	0.63	0.63	1.53	1.53
Consommation Four	50,000 BTU/hr	14.6 kW	50,000 BTU/hr	14.6 kW
Brûleur principal taille orifice	42 MTD*	2.4 mm	0.055 dia	1.4 mm

* *Mèche hélicoïdale multiple*



LIVRAISON ET INSPECTION

Tous les fours sont expédiés en conteneurs. A la réception de votre four Blodgett vous devez:

- Vérifier que les emballages ne sont pas abîmés. Toute défection dans l'emballage doit être notée sur l'accusé de réception de la marchandise; celui-ci doit être signé par le chauffeur.
- Sortir le four de son emballage et vérifier son bon état. Les transporteurs n'acceptent les réclamations et plaintes que si elles sont faites dans les quinze jours qui suivent la livraison et si l'emballage a été conservé afin d'être inspecté.

La Blodgett Oven Co., n'est pas responsable des dégâts subis pendant le transport. Le transporteur est seul responsable de la livraison du matériel en bon état lorsque l'expédition a été acceptée. Néanmoins, nous sommes à votre disposition pour vous aider à composer votre dossier de réclamation.

IMPLANTATION DU FOUR

L'implantation correcte et bien étudiée du four sera à l'avantage à long terme de l'opérateur et permettra d'obtenir un rendement satisfaisant.

Les espaces de dégagement ci-dessous doivent être prévus entre le four et toute construction combustible ou non.

- Côté droit du four – 2 cm (51")
- Côté gauche du four – 2 cm (51")
- Arrière du four – 0 cm (0")

Les espaces de dégagement ci-dessous doivent être possible pour permettre l'entretien.

- Côtés du four – 30 cm (12")
- Arrière du four – 30 cm (12")

REMARQUE: L'entretien régulier peut en général être effectué dans les limites du déplacement que permet la chaîne de retenue. Si le four doit être plus écarté du mur, l'alimentation en gaz doit être coupée et la canalisation débranchée du four avant d'enlever la chaîne. Celle-ci doit être utilisée pour empêcher d'exercer toute contrainte sur le coupleur de gaz.

Il est essentiel qu'une circulation d'air adéquate au four soit maintenue pour apporter un débit d'air de combustion et de ventilation suffisant.

- L'emplacement ne doit pas avoir de courants d'air.
- Maintenez la zone du four libre et dégagée de tous matériaux combustibles tels que le papier, le carton, ainsi que les liquides et solvants inflammables.
- NE placez PAS le four sur un socle à bordure. L'une comme l'autre de ces installations gênera la circulation d'air vers le compartiment de combustion et empêchera une bonne ventilation des moteurs de soufflantes. Le déclenchement du dispositif de surchauffe de ces moteurs indique une température ambiante excessive à l'arrière du four. Une telle situation doit être rectifiée si l'on veut empêcher que le four ne soit définitivement endommagé.
- L'emplacement doit permettre un dégagement adéquat pour l'ouverture de ventilation dans la chambre de combustion.

Veillez vérifier le tableau de spécifications avant d'effectuer tout branchement sur ce four afin de vous assurer que les spécifications de ce four sont compatibles avec le gaz d'arrivée au four.

1. Retirer la porte du compartiment de combustion. La plaque signalétique est fixée sur le bâti du côté gauche du compartiment de combustion



Installation

Branchements de Service – Normes et Codes

LES CONSEILS D'INSTALLATION ET D'ENTRETIEN CONTENUS DANS CE MANUEL NE S'ADRESSENT QU'À UN PERSONNEL QUALIFIÉ. UN PERSONNEL NON QUALIFIÉ PEUT SE BLESER ET/OU ABÎMER LE FOUR LORS DE SON INSTALLATION ET/OU SON ENTRETIEN.

Un personnel d'installation qualifié est représenté soit par des personnes physiques, soit par un société, une usine, une corporation qui en personne ou par l'intermédiaire d'un représentant s'engage à et est responsable de:

- l'installation ou le remplacement de conduits de gaz, ou le branchement, l'installation, la réparation ou l'entretien de l'équipement.
- l'installation du câblage électrique reliant le compteur d'électricité, l'armoire électrique ou la prise de courant à l'appareil électrique.

Le personnel d'installation qualifié doit être expérimenté dans ce type de travail, s'être familiarisé avec toutes les précautions requises et respecter tous les règlements promulgués par les autorités provinciales ou locales compétentes.

Installation aux États-Unis et au Canada

Les branchements de gaz doivent être en accord avec les codes locaux, ou en l'absence de codes locaux, avec le *Code National du Gaz de Chauffage, ANSI Z223.1* le *Code d'Installation du Gaz Naturel CAN/CGA-B149.1* ou le *Code d'Installation du Propane CAN/CGA-B149.2* si applicable.

L'installation doivent être en accord avec les codes locaux, ou en l'absence de codes locaux, avec le *Code Électrique National (National Electrical Code), ANSI/NFPA 70—Dernière édition et/or Code Électrique Canadien CSA C22.2* si applicable.

L'appareil doit être installé avec l'empêchement de refoulement selon les codes fédérale, provinciale et locaux.

Généralités concernant les installations à l'exportation

Les installations doivent être conformes avec les normes d'installation locales et nationales. Les codes locaux d'installation peuvent varier. Pour toute question concernant l'installation et/ou le fonctionnement correct du four Blodgett, prendre contact avec le distributeur local. S'il n'y a pas de distributeur local, appeler la Blodgett Oven Company au 0011-802-860-3700.





Montage du Four

BOULONS NSF

La NSF exige la pose de boulons dans tous les trous vides situés à l'arrière du four, notamment dans les cas suivants :

- tout appareil, seul ou superposé, ne comportant aucun panneau arrière
- tout trou d'appareils superposés ne servant pas à maintenir une ferrure de montage superposé.

1. Repérez les boulons de 5/16 po expédiés avec le four.
2. Posez les boulons comme l'illustre la Figure 2.

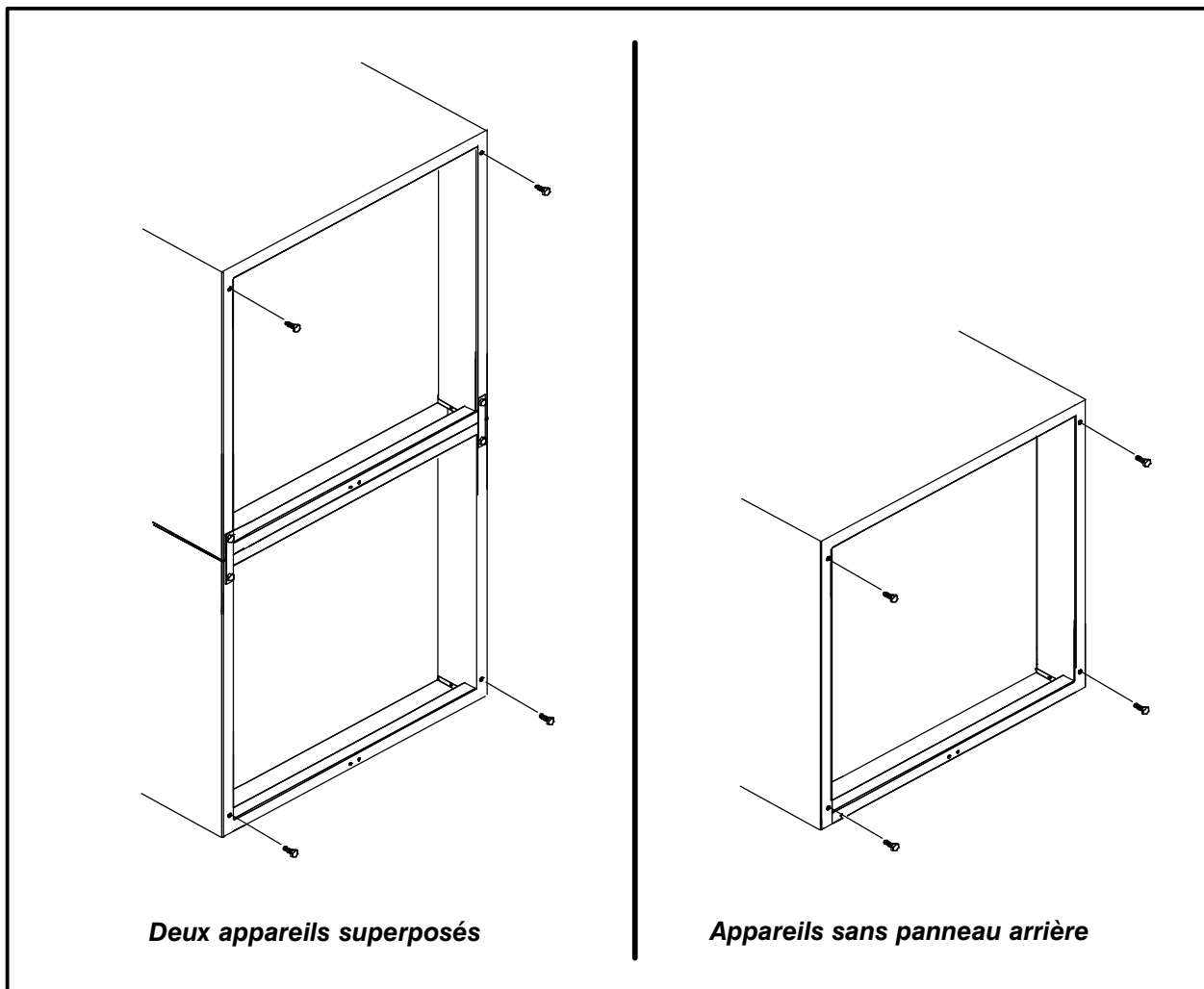


Figure 2



Installation

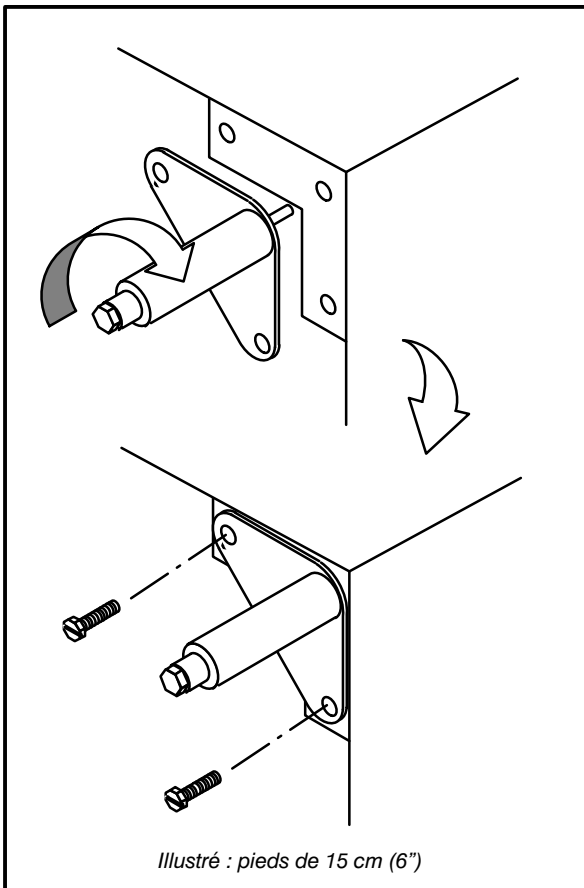
Montage du Four

ASSEMBLAGE DES PIEDS

1. Pousser le four, couché sur le dos, sur un élévateur.
2. Alignez le goujon fileté du pied sur le trou de vis prévu dans le coin avant du fond de caisse. Vissez le pied, dans le sens des aiguilles d'une montre, jusqu'au dernier tour complet possible.
3. Alignez les deux orifices de la plaque du pied sur les trous prévus au bas du four. Fixez le pied à l'aide de deux boulons de 12.7 mm (1/2 po).

REMARQUE: Si des roulettes sont utilisées, voir MONTAGE DES ROULETTES avant de continuer.

4. Si nécessaire, mettez le four de niveau en visant ou en dévissant la vis de niveau des pieds réglables.



Illustré : pieds de 15 cm (6")

Figure 3

MONTAGE DES ROULETTES

REMARQUE: Installer les roulettes à frein sur le devant du four. Installer les roulettes sans frein à l'arrière.

REMARQUE: Si le four est monté sur roulettes, un connecteur commercial flexible doit être utilisé. Voir le page 34.

Roulettes pour four simple ou pour four superposés :

1. Placer les pieds comme décrit.
2. Desserrer l'écrou de blocage des embouts au bas de chaque pied réglable. Retirer les embouts.
3. Insérer une roulette dans chaque pied, comme illustré. Serrer les écrous de blocage pour fixer les roulettes.

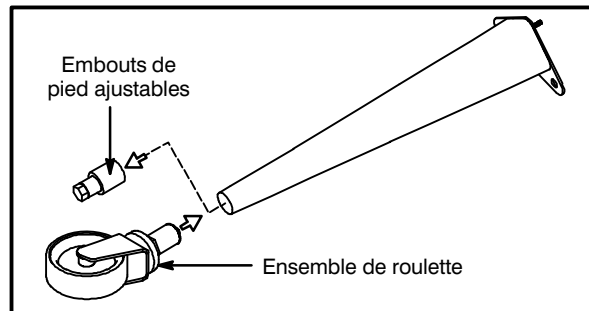


Figure 4

Roulettes de bas profile pour deux fours superposés :

1. Aligner les trois trous dans chaque plaque de l'ensemble de roulette avec les trous dans le fond du four. Fixer chaque roulette à l'aide de trois boulons de 12.7 mm (1/2 po).

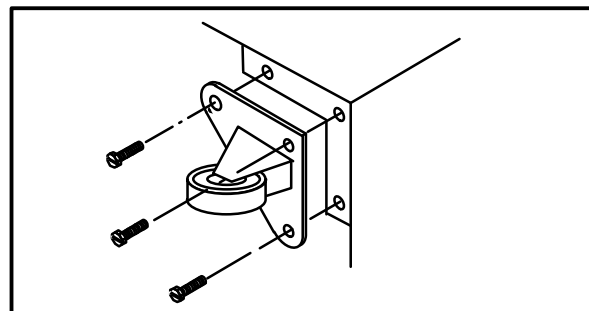


Figure 5



Montage du Four

MONTAGE DE LA SECTION DOUBLE

1. Fixez les pieds de courte longueur au bas de la section inférieure comme décrit.
2. Posez la section supérieure par-dessus la section inférieure.
3. Fixez les ferrures de montage superposé au moyen des autres boulons de 5/16 po expédiés avec les fours.
4. Raccordez le connecteur de carneau.



AVERTISSEMENT!!

Lors de la superposition de deux fours simples, il est nécessaire d'enlever les boîtes de carneau des unités simples avant l'installation du connecteur à trois pièces.

MISE À NIVEAU DU FOUR

Après assemblage le four doit être mis à niveau et installé à son emplacement d'utilisation.

1. Le four peut être mis à niveau en ajustant les vis de mise à niveau ou les roulettes en bas de chaque pied.

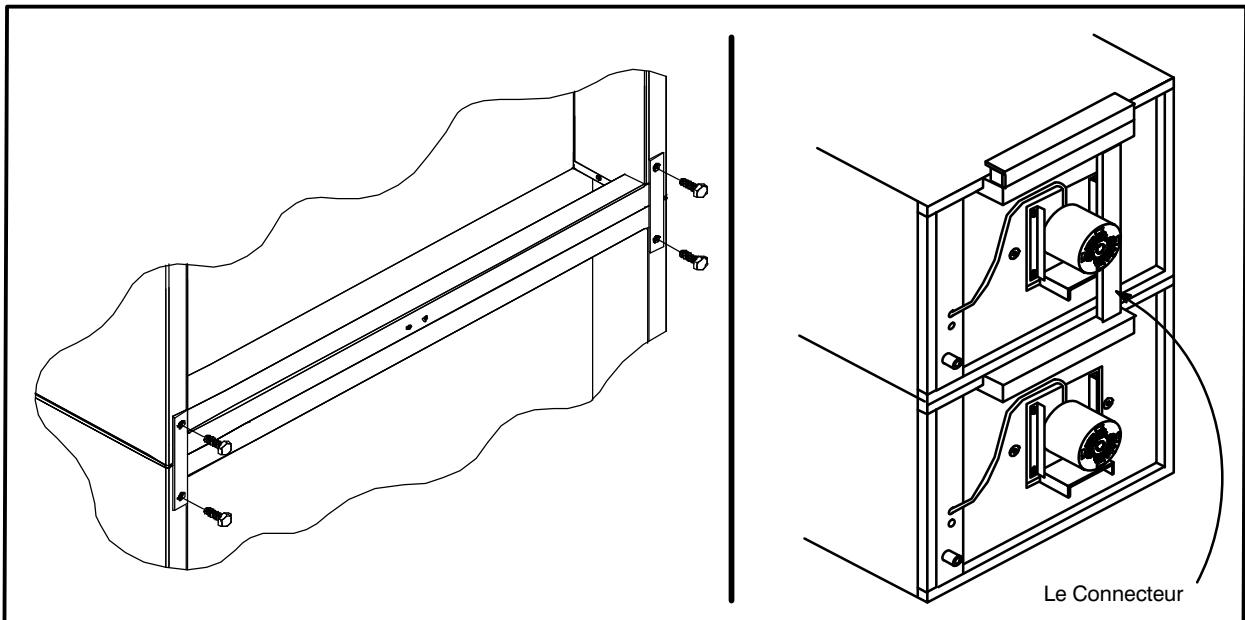


Figure 6



Installation

Ventilation

Un système de ventilation planifié et installé est absolument nécessaire car il permet un bon fonctionnement du four tout en débarrassant la surface de travail des buées et résidus de combustion.

Il y a deux méthodes de ventilation acceptables pour le four:

- Soit une hotte d'évacuation, de type voûte mécanique.
- Soit une installation à prise directe.

Installation aux États-Unis et au Canada

Se reporter aux codes locaux de la ventilation. En l'absence de codes locaux, se reporter au code national de la ventilation intitulé "Normes pour l'installation d'équipements pour l'enlèvement des fumées et vapeurs grasses provenant d'équipements commerciaux pour la cuisine", NFPA-96- Édition la plus récente.

Généralités concernant les installations à l'exportation

Les installations doivent être conformes avec les normes d'installation locales et nationales. Les codes locaux d'installation peuvent varier. Pour toute question concernant l'installation et/ou le fonctionnement correct du four Blodgett, prendre contact avec le distributeur local. S'il n'y a pas de distributeur local, appeler la Blodgett Oven Company au 0011-802-860-3700.



AVERTISSEMENT:

Un mauvais système d'aération peut aboutir à un mauvais fonctionnement du four, des résultats de cuisson peu satisfaisants; il peut également abîmer l'appareil.

Les dégâts causés par une mauvaise ventilation ne sont pas couverts par la garantie du fabricant.

HOTTE D'ÉVACUATION TYPE VOÛTE

La méthode de ventilation la meilleure est celle qui utilise une hotte de ventilation adéquate à mécanique.

La hotte doit être conçue pour couvrir la totalité de l'appareil à ventiler avec en plus un surplomb se 15 cm (6") de chaque côté de l'appareil non adjacent au mur. La distance du plancher à l'extrémité la plus basse de la hotte ne doit pas dépasser sept 2.1m (7').

Le volume total d'air neuf et d'évacuation à considérer lors de la détermination de la capacité de hotte nécessaire est d'environ 30 CFM (.85m³) pour chaque section de four.

Installation du déviateur de tirage

Les fours commandés pour hotte d'évacuation sont fournis avec un déviateur de tirage. Installer le déviateur de tirage comme suit :

1. Placer le déviateur au-dessus du connecteur de cheminée avec la partie ouverte tournée vers l'avant du four. Voir Figure 7.
2. L'assujettir des deux côtés avec les vis à tête fournies.

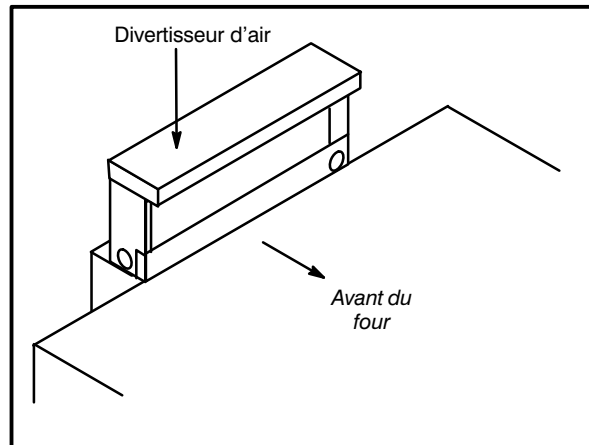


Figure 7



EN PRISE DIRECTE

Quand l'installation d'une hotte aspirante mécanique est impossible ou peu pratique à réaliser, on peut ventiler le four au moyen d'une installation en prise directe.



AVERTISSEMENT!!

Quand on utilise un système à prise directe il faut absolument suivre le schéma. Une installation de ventilation à prise directe qui est défectueuse donnera des résultats de cuisson peu satisfaisants et causera des dégâts prématurés aux éléments brûleurs.

La cheminée doit être de classe B ou mieux avec un diamètre de 15 cm (6"). La hauteur de la cheminée doit dépasser de 2 à 2,5 m (6–8') le haut du toit du bâtiment ou autre structure proche. Ne jamais diriger la ventilation du four dans une hotte. La cheminée doit être chapeauté avec une coiffe de type homologué UL, pour isoler la cheminée des intempéries extérieures.

Dans ce cas il est important de fournir assez d'air secondaire car l'installation à pris directe ne peut pas renouveler l'air absorbé et ventilé par le four. Le volume total d'air neuf et d'évacuation à considérer lors de la détermination de la capacité de hotte nécessaire est d'environ 30 CFM (.85m³) pour chaque section de four. Pour augmenter la circulation d'air dans la pièce, un expert en ventilation doit être consulté.

Installation de la hotte de tirage

Les four commandés pour la ventilation directe sont fournis avec une hotte de tirage. Installer la hotte de tirage comme suit :

1. Placer la hotte de tirage au-dessus du connecteur de cheminée. Voir Figure 8.
2. L'assujettir des deux côtés avec les vis à tête fournies.

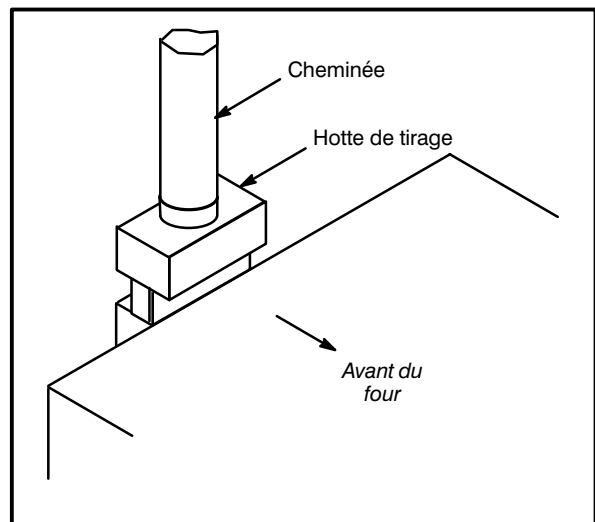


Figure 8



Installation

Branchement de Gaz

CONDUIT DE GAZ

Un système d'alimentation en gaz de bon calibre est essentiel pour obtenir le meilleur rendement du four. Les conduits doivent être calibrés pour fournir suffisamment de gaz pour alimenter tous les appareils sur le conduit sans perte de pression à l'équipement.

Exemple:

REMARQUE: Les valeurs en BTU de l'exemple suivant sont pour le gaz naturel.

Achat d'un four à convection Zephair-G qui doit être ajouté sur la conduite de cuisson existante.

1. Additionner les valeurs nominales en BTU des appareils utilisés.

Friteuse Pitco	120,000 BTU
Cuisinière 6 brûleurs	60,000 BTU
Four	<u>50,000 BTU</u>
Total	230,000 BTU

2. À ce total, ajouter la valeur nominale en BTU du nouveau four.

Total précédent	230,000 BTU
Zephair-240G Plus	<u>50,000 BTU</u>
Nouveau total	280,000 BTU

3. Mesurer la distance entre le compteur à gaz et la conduite de cuisson. Ceci est la longueur de tuyau. Disons que la longueur de tuyau est de 12,2 mètres (40') et le calibre du tuyau est de 2,54 cm (1").

4. Se reporter au tableau approprié pour déterminer la capacité totale de la conduite de gaz actuelle.

Pour cette exemple, la capacité totale est de 320,000 BTU, la conduite de gaz actuelle n'a pas besoin d'être augmentée.

REMARQUE: Les capacités en BTU données sur les tableaux sont uniquement pour des longueurs droites de tuyaux. Tous les coudes et autres raccords diminuent la capacités de la conduite. Pour toute autre question, prendre contact avec la compagnie locale de distribution du gaz.

Maximum Capacity of Iron Pipe in Cubic Feet of Natural Gas Per Hour

(chute de pression de 13 mm (0,5 po) à la colonne d'eau)

Longueur de conduit pieds	Dimensions nominales				
	3/4"	1"	1-1/4"	1-1/4"	2"
10	360	680	1400	2100	3950
20	250	465	950	1460	2750
30	200	375	770	1180	2200
40	170	320	660	990	1900
50	151	285	580	900	1680
60	138	260	530	810	1520
70	125	240	490	750	1400
80	118	220	460	690	1300
90	110	205	430	650	1220
100	103	195	400	620	1150

Du Code national du gaz carburant Partie 10 Tableau 10-2

Maximum Capacity of Pipe in Thousands of BTU/hr of Undiluted L.P. Gas at 11" W.C.

(chute de pression de 13 mm (0,5 po) à la colonne d'eau)

Longueur de conduit pieds	Diamètre extérieur		
	3/4"	1"	1-1/2"
10	608	1146	3525
20	418	788	2423
30	336	632	1946
40	287	541	1665
50	255	480	1476
60	231	435	1337
70	215	404	1241
80	198	372	1144
90	187	351	1079
100	175	330	1014

Du Code national du gaz carburant Partie 10 Tableau 10-15

Branchement de Gaz

RÉGLAGE ET TEST DE PRESSION

Chaque section du four opère à régime nominal de 50,000 BTU/heure (14.6 kW) (53 MJ). Tous les fours sont réglés en usine en fonction du type de gaz spécifié sur la plaque signalétique.

Pression à l'entrée				
	Gaz Naturel		Gaz Propane	
	Min	Max	Min	Max
W.C.	7.0	10.5	11.0	13.0
kPa	1.43	2.61	2.74	3.23
Pression au collecteur				
	Gaz Naturel		Gaz Propane	
	W.C.		10.0	
kPa		.87	2.49	

- **Pression à l'entrée** – Pression du gaz d'arrivée, avant l'entrée du four.
- **Pression au Collecteur** – Pression du gaz à l'entrée du ou des brûleurs principaux.
- **Min** – Pression recommandée pour le fonctionnement du four.
- **Max** – Pression maximale à laquelle le fabricant garantit le fonctionnement du four.

Pour maintenir la bonne pression de gaz, chaque four est livré avec un régulateur. Le régulateur est essentiel pour le fonctionnement correct du four et il ne doit pas être retiré. Il est préréglé pour alimenter le four avec une pression de gaz naturel au collecteur de 0,87 kPa (3,5" WC [à la colonne d'eau]) et une pression de propane au collecteur de 2,50 kPa (10,5 WC).

NE PAS INSTALLER DE RÉGULATEUR SUPPLÉMENTAIRE OÙ LE FOUR SE CONNECTE SUR L'ALIMENTATION DE GAZ SAUF SI LA PRESSION D'ENTRÉE EST AU-DESSUS DU MAXIMUM.

Avant le raccordement du four, veillez à bien purger les conduites de gaz de toutes rognures métalliques, limaille, bavures d'enduit et autres débris. Après le raccordement, vérifiez la pression du gaz.

Le four et sa vanne d'arrêt individuelle doivent être déconnectés du système d'alimentation en cas de test des conduites à pression manométrique supérieure à 1/2 psi (13.85 po à la colonne d'eau ou 3.45 kPa).

En cas de test à pression manométrique de 1/2 psi (13.85 po à la colonne d'eau ou 3.45 kPa) ou moindre, le four doit être isolé du système par la fermeture de sa vanne d'arrêt manuelle individuelle.

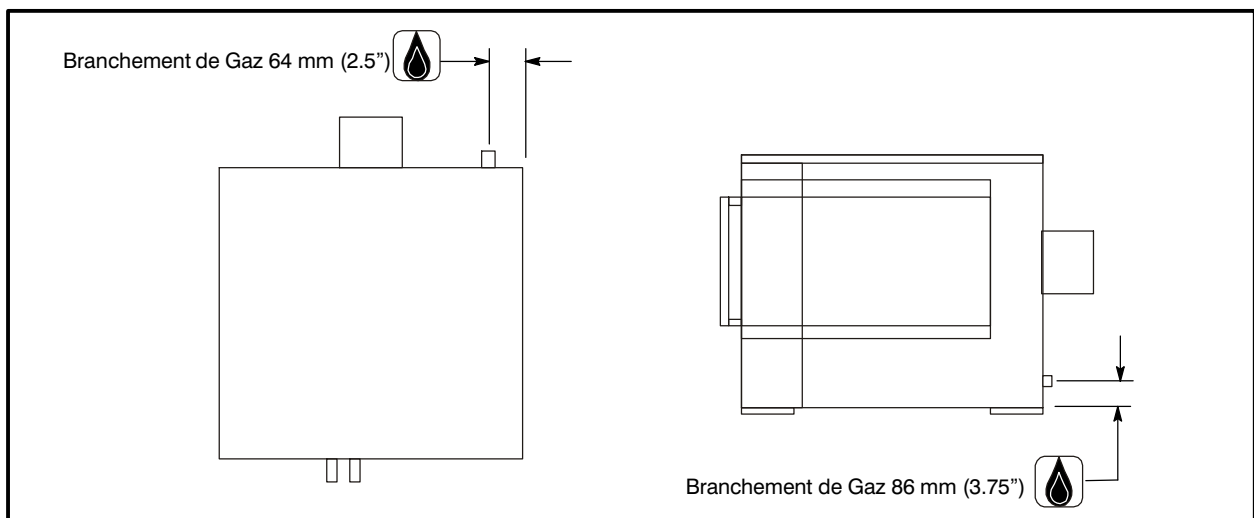


Figure 9



Installation

Branchement de Gaz

RETENUE DU TUYAU DE GAZ

Si le four est monté sur roulettes, un connecteur commercial flexible ayant un diamètre intérieur minimum de 1,9 cm (3/4") doit être utilisé avec un dispositif de connexion rapide.

La retenue, fournie avec le four, doit servir à limiter les mouvements de l'unité de façon qu'aucune tension ne soit placée sur le connecteur flexible. Quand la retenue est entièrement étendue, le connecteur doit être facile à installer et à connecter rapidement.

Ce dispositif (qui consiste en un câble de gros calibre) doit supporter une charge d'épreuve de 1,000 lb. (453 kg) et doit être accroché au mur pour empêcher d'endommager celui-ci. NE vous servez PAS de la canalisation de gaz ni d'une canalisation d'électricité pour y accrocher l'extrémité fixée à demeure du dispositif de retenue ! Servez-vous de boulons d'ancrage dans le béton ou les parpaings. Sur les murs en bois, utilisez des tire-fond à bois à résistance élevée que vous enfoncez dans les montants du mur.

1. Monter la cornière fournie sur le boulon du pied juste au-dessous de l'arrivée de gaz. Voir Figure 10.
2. Fixer l'attache sur le câble de retenue sur la cornière.

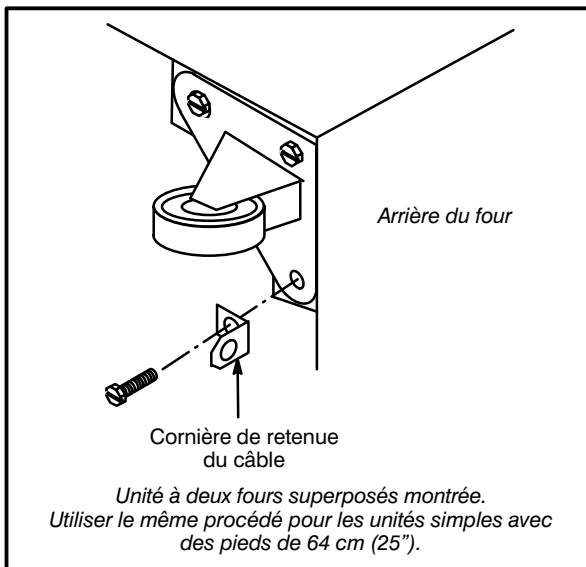


Figure 10



AVERTISSEMENT!!

Si la retenue est déconnectée, quelqu'en soit la raison, elle doit être reconnectée quand le four est remis à sa position d'origine.

Installations aux États-Unis et au Canada

Le coupleur doit être conforme à la *Norme Applicable aux Coupleurs pour Appareils à Gaz Mobiles, ANSI Z21.69* ou *Coupleurs pour Appareils à Gaz Mobiles CAN/CGA-6.16*. Il convient d'utiliser également un dispositif de débranchement rapide conforme à la *Norme Applicable aux Dispositifs de Débranchement Rapide pour Combustibles Gazeux, ANSI Z21.41* ou *Dispositifs de Débranchement Rapide pour Combustibles Gazeux CAN 1-6.9*. Une entrave fixée à une surface immobile doit être prévue pour limiter le mouvement du four et éviter les tensions au niveau du connecteur.

Généralités concernant les installations à l'exportation

Les installations doivent être conformes avec les normes d'installation locales et nationales. Les codes locaux d'installation peuvent varier. Pour toute question concernant l'installation et/ou le fonctionnement correct du four Blodgett, prendre contact avec le distributeur local. S'il n'y a pas de distributeur local, appeler la Blodgett Oven Company au 0011-802-860-3700.



Raccordement Électrique

Les diagrammes de câblage se trouvent dans le coffret de commande et à l'arrière du four.

Ce four est équipé pour connexion sur un circuit de prise de terre de 115 volts. Le moteur électrique, les voyants lumineux et les commutateurs apparentés sont connectés par le fil de branchement de 1,8 m (6') qui se trouve à l'arrière du four.



AVERTISSEMENT!!

Pour votre protection contre les risques d'électrocution, cet appareil est doté d'une fiche à trois broches avec fil de terre et doit être branché directement dans une prise à trois trous adéquatement mise à la terre. Ne coupez ou ne retirez en aucun cas la broche de terre de la fiche.

LA SOCIÉTÉ BLODGETT NE SAURAIT ÊTRE TENUE POUR RESPONSABLE DES PERTES OU DOMMAGES SUBI PAR SUITE DE L'INSTALLATION INCORRECTE DE FOURS.

SPÉCIFICATIONS ÉLECTRIQUES

Modèle	Hz	Volts	Phase	Amps	Connexion électrique (calibre minimum)
Installation É-U et Canada					
Zephaire-240G Plus	60	115	1	6	Ensemble du cordon électrique fourni



Installation

Mise en Marche Initiale

Les points de la liste qui suit doivent être contrôlés par un personnel qualifié avant la première mise en marche de l'appareil.

- Ouvrez la vanne d'arrêt manuelle combinée à l'arrière du four.
- Enlevez les couvercles du tableau de commande et de combustion.
- Tourner la vanne d'arrêt manuel à combinaison sur la position marche.
- Mettez le sélecteur en position Cook (cuisson) et la température à 260°C (500°F).

Les voyants du brûleur principal du four et le voyant du four prêt s'allument. Quand le brûleur principal est en marche, vérifiez ce qui suit.

- Vérifiez l'absence de fuites de gaz par l'application d'une solution d'eau savonneuse sur tous les raccords des conduites de gaz.
- Vérifiez si la pression à l'entrée est conforme au niveau recommandé. Cette pression se vérifie au niveau de la prise de pression prévue du côté à vanne de combinaison.
- Vérifiez si la pression au collecteur est conforme au niveau recommandé. Cette pression se vérifie au niveau de la prise de pression prévue du côté sortie des brûleurs principaux.
- Si le relevé de pression sont conformes du valeur recommandé, laissez chauffer le four pendant deux heures. S'il est inacceptable, procédez aux réglage requis.



AVERTISSEMENT

Les ruptures dans le procédé brûlent les excès d'huile présents dans le métal pendant la fabrication. De la fumée peut en résulter. Une ventilation correcte est requise.

RÉGLAGES À FAIRE LORS DE L'INSTALLATION INITIALE

Chaque four ainsi que ses composants ont été soigneusement testés et inspectés avant d'être expédiés. Cependant, il est bien souvent nécessaire de faire des vérifications et des réglages sur place au moment de l'installation initiale. Ceci est un procédé normal. De tels réglages sont sous la responsabilité du vendeur ou de l'installateur et ne sont pas imputables à des défauts de fabrication ou de matériau. Par conséquent, ces réglages ne sont pas couverts par la garantie de l'équipement d'origine. Ces réglages comprennent, sans s'y limiter:

- le calibrage du thermostat
- le réglage des portes
- réglage du brûleur
- la mise de niveau
- la vérification de la pression du gaz
- le serrage des boulons.

On ne peut considérer une installation achevée tant qu'un personnel qualifié n'a pas procédé à sa vérification complète et fait les réglages nécessaires s'il en est besoin.



LES INFORMATIONS CONTENUES DANS CETTE SECTION SONT DESTINÉES AU PERSONNEL QUALIFIÉ APPELÉ A UTILISER LE FOUR. ON ENTEND PAR PERSONNEL QUALIFIÉ LE PERSONNEL QUI AURA LU ATTENTIVEMENT LES INFORMATIONS CONTENUES DANS CE MANUEL, CONNAIT BIEN LES FONCTIONS DU FOUR ET/OU POSSEDE UNE EXPÉRIENCE ANTÉRIEURE DE L'EMPLOI DE L'ÉQUIPEMENT DÉCRIT. LE RESPECT DES PROCÉDURES RECOMMANDÉES DANS CETTE SECTION PERMETTRA D'ATTEINDRE LES PERFORMANCES OPTIMALES DU SYSTÈME ET D'EN OBTENIR UN SERVICE DURABLE ET SANS ENCOMBRES.

Prenez le temps de lire attentivement les instructions qui suivent. Vous y trouverez la clé du succès du four à convection Blodgett.



CONSEILS DE SÉCURITÉ

Pour la sécurité, lire avant d'utiliser l'appareil

Que faire s'il y a une odeur de gaz :

- NE PAS essayer d'allumer l'appareil.
- NE PAS toucher d'interrupteur électrique.
- Utiliser un téléphone extérieur pour appeler immédiatement la compagnie du gaz.
- Si la compagnie du gaz ne répond pas, appeler les pompiers.

Que faire en cas de panne de secteur :

- Fermer tous les interrupteurs.
- NE PAS tenter d'utiliser le four avant que l'électricité soit revenue.

REMARQUE: Dans le cas d'un arrêt de l'appareil, quel qu'il soit, attendre cinq (5) minutes avant de remettre le four en marche.

Conseils généraux de sécurité :

- NE PAS utiliser d'outil pour fermer les commandes du gaz. Si le gaz ne peut pas être fermé manuellement ne pas tenter de réparer. Appeler un technicien de service qualifié.
- Si le four doit être déplacé, quel qu'en soit la raison, le gaz doit être fermé et déconnecté de l'unité avant de retirer le câble de retenue. Reconnecter la retenue quand le four a été remis à son emplacement d'origine.
- NE PAS retirer le couvercle du panneau de contrôle sauf si le four est débranché.



Utilisation

Commandes Standard

DESCRIPTION DES COMMANDES

1. LUMIÈRES DE CAVITÉ MARCHE/ARRÊT – actionne les lumières dans la cavité du four.
2. INTERRUPTEUR SOUFFLERIE HAUT/BAS/ARRÊT – contrôle le fonctionnement de la soufflerie. Si l'interrupteur de la soufflerie est en position ARRÊT (OFF), le four est mis à l'arrêt.
3. INTERRUPTEUR REFROIDIR – en position AUTO, le four peut être utilisé pour cuire. Si l'interrupteur est en position MANuelle, le four se refroidit avant la prochaine cuisson.
4. VOYANT D'ÉTAT DU FOUR - indique l'opération de réchauffeur. Le voyant s'éteint lorsque le four atteint la température demandée
5. THERMOSTAT – contrôle la température à laquelle le four fonctionne. La gamme de température va de 93 et 260°C (200–500°F).
6. MINUTERIE DE CUISSON – sert à minuter le temps de cuisson. Actionne un ronfleur quand le temps de cuisson se termine.

Figure 11



UTILISATION

1. Régler l'interrupteur de REFROIDIR (3) sur AUTO. Tourner le THERMOSTAT (5) sur la température de cuisson désirée.
2. Régler l'INTERRUPTEUR DE SOUFFLERIE (2) sur la position HI (HAUT). Quand le VOYANT FOUR PRÊT (4) s'éteint, charger le produit et régler la MINUTERIE DE CUISSON (6).
3. Quand le ronfleur se déclenche, retirer le produit. Si le produit suivant demande une température de cuisson plus basse, le mode de "refroidir" peut être utilisé. Régler l'INTERRUPTEUR DE SOUFFLERIE (2) sur la position LO (BAS). Passer l'INTERRUPTEUR REFROIDIR (3) sur la position MANUELLE. S'assurer que la porte est ouverte.
4. Arrêter le four en passant l'INTERRUPTEUR MARCHE/ARRÊT DE LA SOUFFLERIE (2) sur la position OFF (ARRÊT).



Utilisation

Commandes Numériques à Semi-Conducteurs

The diagram shows the control panel of a ZEPHAIRE oven. At the top, there are three vertical switches: 'LIGHTS' (ON/OFF), 'BLOWER' (HI/LO), and 'COOL DOWN' (MAN/AUTO). Below these is a large rectangular digital display (4). Under the display are three indicator lights: 'HEAT' (5), 'PULSE' (6), and 'HOLD' (7). In the center is a circular dial (8). Below the dial are several buttons: 'START STOP' (9), 'TIME' (10), 'TEMP' (11), 'HOLD' (12), and 'PULSE PLUS' (13). At the bottom left, there is a 'GAS ON' and 'GAS OFF' indicator with a flame icon. The brand name 'ZEPHAIRE' is printed at the bottom of the panel.

DESCRIPTION DES COMMANDES

1. LUMIÈRES DE CAVITÉ MARCHE/ARRÊT – actionne les lumières dans la cavité du four.
2. INTERRUPTEUR MARCHE/ARRÊT DE SOUFFLERIE – contrôle la mise en marche de la soufflerie. Si l'interrupteur est en position ARRÊT (OFF) le four s'arrête.
3. INTERRUPTEUR REFROIDIR – en position AUTO, le four peut être utilisé pour cuire. Si l'interrupteur est en position MANuelle, le four se refroidit avant la prochaine cuisson.
4. AFFICHAGE - indique la durée et la température, ainsi que d'autres informations relatives au fonctionnement du four.
5. VOYANT "HEAT" - s'allume lorsque les brûleurs sont allumés.
6. VOYANT "PULSE" - s'allume lorsque le mode de ventilateur par impulsions est activé.
7. VOYANT "HOLD" - s'allume lorsque le mode de maintien est actif.
8. CADRAN - permet l'entrée des réglages voulus sur l'affichage.
9. TOUCHE "START/STOP" - démarre ou arrête la minuterie.
10. TOUCHE "TIME" - indique la durée sur l'affichage.
11. TOUCHE "TEMP" - indique le réglage de température sur l'affichage.

REMARQUE: Pour afficher la température actuelle du four, tenez la touche TEMP enfoncée.

12. TOUCHE "HOLD" - active ou désactive le mode de maintien.
13. TOUCHE "PULSE" - active ou désactive le mode par impulsions.

Figure 12

Commandes Numériques à Semi-Conducteurs

PROGRAMMATION

Pour régler la température de cuisson

1. Appuyez sur la touche TEMP (11).
2. Choisissez la température voulue à l'aide du CADRAN (8).

Pour régler la durée de cuisson

1. Appuyez sur la touche TIME (10).
2. Choisissez la durée voulue à l'aide du CADRAN (8).

REMARQUE: Le temps est entré en heures/minutes ou en minutes/secondes.

Pour régler le mode de maintien

1. Appuyez sur la touche HOLD (12).
- REMARQUE: Le voyant HOLD s'allume.*
2. Choisissez la température de maintien à l'aide du CADRAN (8).
 3. Appuyez sur la touche START/STOP (9).

Pour régler le mode par impulsions

1. Appuyez sur la touche PULSE (13).
- REMARQUE: Le voyant PULSE s'allume.*
2. Choisissez la durée de pulse à l'aide du CADRAN (8). Le mode d'impulsion est une portion du temps de cuisson.

UTILISATION

Cuisson:

1. Placez l'INTERRUPTEUR MARCHE/ARRÊT DE SOUFFLERIE (2) à la position désirée.
2. Entrez la durée de cuisson et la température de cuisson.
3. Chargez l'aliment dans le four.

REMARQUE: Le message LOAD apparaît sur l'affichage lorsque la température du four approche la température demandée.

4. Appuyez sur START/STOP (9). La minuterie se met en marche.
5. Le vibreur retentit et le message *DONE* s'affiche lorsque la minuterie arrive à 00:00.
6. Appuyez sur START/STOP (9) pour arrêter le vibreur.
7. Enlevez l'aliment du four.



Utilisation

Commandes Numériques à Semi-Conducteurs

Cuisson et Maintien:

REMARQUE: Le voyant **HOLD** s'allume lorsque le mode est actif et s'éteint lorsqu'il ne l'est pas.

1. Placez l'INTERRUPTEUR MARCHE/ARRÊT DE SOUFFLERIE (2) à la position désirée.
2. Entrez la durée de cuisson et la température de cuisson.
3. Appuyez sur **HOLD** (12). Entrez la température de maintien.
4. Chargez l'aliment dans le four.

REMARQUE: Le message **LOAD** apparaît sur l'affichage lorsque la température du four approche la température demandée.

5. Appuyez sur **START/STOP** (9). La minuterie se met en marche.
6. Le vibreur retentit et le message **DONE** s'affiche lorsque la minuterie arrive à 00:00. Le vibreur s'arrête après quelques secondes. Le message **HOLD** s'affiche jusqu'à ce que le four atteigne la température de maintien demandée, puis la minuterie se met à compter le temps écoulé.
7. Appuyez sur **START/STOP** (9) pour arrêter la minuterie.
8. Enlevez l'aliment du four.
9. Appuyez deux fois sur **HOLD** (12) pour désactiver le mode de maintien.

Cuisson par Impulsions

REMARQUE: Le voyant **PULSE** s'allume lorsque le mode est actif et s'éteint lorsqu'il ne l'est pas.

1. Placez l'INTERRUPTEUR MARCHE/ARRÊT DE SOUFFLERIE (2) à la position désirée.
2. Entrez la durée de cuisson et la température de cuisson.
3. Appuyez sur **PULSE** (13). Entrez la température d'impulsions.

REMARQUE: Le mode d'impulsion est une portion du temps de cuisson. Elle n'augmentera pas la durée de cuisson déjà entrer.

4. Chargez l'aliment dans le four.

REMARQUE: Le message **LOAD** apparaît sur l'affichage lorsque la température du four approche la température demandée.

5. Appuyez sur **START/STOP** (9). La minuterie se met en marche. Le four sera au mode d'impulsion pour le temps déjà régler. Une fois le temps régler est expirer, l'unité changera qu mode de cuisson automatiquement et continuera le déconte.
6. Le vibreur retentit et le message **DONE** s'affiche lorsque la minuterie arrive à 00:00.
7. Appuyez sur **START/STOP** (9) pour arrêter le vibreur.
8. Enlevez l'aliment du four.



AVERTISSEMENT!!

Une période d'arrêt complet de 5 minutes doit être observée avant le rallumage du four.

Consignes Générales à l'Intention des Utilisateurs

TEMPS ET TEMPÉRATURES DE CUISSON

Préchauffage du four

Toujours préchauffer le four avant de cuire ou de rôtir. Nous recommandons un préchauffage de 28°C (50°F) supérieur à la température de cuisson pour compenser la chute de température quand les portes sont ouvertes et qu'un produit froid est chargé dans le four. Régler le thermostat sur la température de cuisson une fois que le produit est chargé.

REMARQUE: Pour les produits congelés, préchauffer le four de 56°C (100°F) au-dessus de la température de cuisson.

La Température de Cuisson

Généralement, les températures de cuisson doivent être de 28°C (50°F) plus basses que les températures de recettes pour four de cuisinière ou plateforme. Si les bords du produit sont cuits mais que le centre est cru, ou s'il y a des variations de couleur, réduire le réglage du thermostat de 10-15°C (15-25°F) de plus. Continuer à réduire la température de cuisson sur des charges successives jusqu'à ce que des résultats satisfaisants soient obtenus.

REMARQUE: Une température excessive, ne réduit pas la durée de cuisson, mais produit des résultats insatisfaisants.

La Durée de Cuisson

Vérifiez l'aliment après une durée de cuisson représentant environ la moitié de la durée recommandée pour les fours ordinaires. Notez vos durées et températures optimales pour référence future.

REMARQUE: La durée de cuisson varie en fonction de la quantité cuite, du type de plat utilisé et de la température sélectionnée.

CONSEILS

Plats et grilles

La hauteur de l'aliment ou du plat détermine le nombre de grilles utilisables. Le four peut recevoir

un maximum de 10 plaques à petits pains de 18 x 26 po (457 x 660 mm).

Charger le four en commençant par le bas, centrer les plats sur la grille. Ne jamais placer un plat ou une feuille d'aluminium sur le fond du four. Ceci obstrue la circulation d'air et résulte en cuissons ou en rôtissages irréguliers.

Rotissage

Pour réduire la contraction des viandes rôties, placez la viande directement sur les grilles et placez un plat en métal à moitié rempli d'eau au niveau de la grille du bas. En s'évaporant, l'eau du plat augmente l'humidité dans la chambre de cuisson. Le plat sert, de plus, à recueillir la graisse de la viande et le nettoyage du four s'en trouve facilité.

Cuisson

Peser le produit pour assurer une distribution égale dans chaque plat. Des quantités variables de produits causeront des cuissons inégaux.

Ventilateurs

Pour que le four chauffe, le ventilateur doit fonctionner. Utiliser la caractéristique Pulse Plus pour empêcher les produits légers ou liquides de "moutonner" vers le ventilateur. Si le four n'est pas équipé de cette caractéristique, suivre le procédé ci-après.

1. Préchauffer le four 15°C (25°F) au-dessus de la température de cuisson.
2. Charger le four avec le produit. Fermer les portes.
3. Régler le thermostat sur la température de cuisson.
4. Arrêter le four.
5. Laisser le produit reposer pendant 5 à 7 minutes sans ventilateur. La chaleur résiduelle dans le four fige le produit.
6. Allumer le four pour le reste du temps de cuisson.

Lumières

Éteindre les lumières du four quand on ne regarde pas le produit. Laisser les lumières allumées pendant de longues périodes raccourci considérablement la durée utile des ampoules.



Utilisation

Durées et Températures Suggérées

Aliment	Température	Durée	Étagères
Viandes			
Hamburgers (5 pâtés/lb)	400°F (205°C)	8-10 mins.	10
Gîte (80 lbs, en quartiers)	275°F (135°C)	2 hrs 45 mins.	2
Côte de choix (20 lbs, dégraissé, saignant)	235°F (115°C)	2 hrs 45 mins.	2
Contre-filet (portions de 10 oz)	450°F (235°C)	7-8 mins.	5
Steak suisse après braisage	275°F (135°C)	1 hr.	5
Côtelette de porc farcie	375°F (190°C)	25-30 mins.	5
Rôti de veau désossé (15 lbs)	300°F (150°C)	3 hrs. 10 mins.	2
Côtelettes d'agneau (premières)	400°F (205°C)	7-8 mins.	5
Lard (sur grilles en plats de 18 x 26 po)	400°F (205°C)	5-7 mins.	10
Volailles			
Blanc et cuisse de poulet	350°F (175°C)	40 mins.	5
Dos et aile de poulet	350°F (175°C)	35 mins.	5
Poulet (2 1/2 lbs, en quartiers)	350°F (175°C)	30 mins.	5
Roulé de dinde (roulés de 18 lbs)	310°F (155°C)	3 hrs 45 mins.	3
Poisson et Fruits de Mer			
Steaks de flétan, morue (surgelés, 5 oz)	350°F (175°C)	20 mins.	5
Homard farci (2-1/2 lbs)	400°F (205°C)	10 mins.	3
Queues de homard (surgelées)	425°F (220°C)	9 mins.	5
Fromages			
Macaroni au gratin	350°F (175°C)	30 mins.	5
Croque-Monsieur	400°F (205°C)	8 mins.	10
Pommes de Terre			
Au four (120 ct)	400°F (205°C)	50 mins.	5
Pommes de terre rôties	325°F (165°C)	10 mins.	5
Pains et Pâtisseries			
Tourtes aux baies, surgelées (22 oz)	325°F (150°C)	35 mins.	5 (30 tourtes)
Tourte aux pommes, fraîche (20 oz)	350°F (175°C)	25-30 mins.	5 (30 tourtes)
Tartes au potiron (32 oz.)	300°F (150°C)	30-50 mins.	5 (20 tourtes)
Croquant aux fruits	300°F (150°C)	25 mins.	5
Pain (24 - 1 lb)	325°F (155°C)	30 mins.	3
Pain à la farine de maïs (cornbread)	375°F (190°C)	15-20 mins.	5
Petits pains au lait	400°F (205°C)	6 mins.	5
Petits pains à chauffer	350°F (175°C)	15 mins.	5
Grands gâteaux (5 lbs de pâte par plaque)	325°F (160°C)	16-18 mins.	5
Gâteau au chocolat	325°F (160°C)	20 mins.	5
Brownies	325°F (150°C)	15 mins.	5

REMARQUE: Les durées et températures de cuisson peuvent varier grandement par rapport à celles indiquées ci-dessus. Le poids de la charge, la température des aliments, la recette, le type de plat et l'étalonnage du thermostat entrent tous en jeu. Notez les durées et températures avérées de vos recettes pour référence future.



Nettoyage et Entretien Préventif

NETTOYAGE DES FOURS



AVERTISSEMENT !!

Toujours nettoyer l'appareil lorsqu'il est froid.



AVERTISSEMENT !!

S'assurer de lire et de suivre les directives indiquées sur la fiche signalétique ou les consignes de sécurité inscrites sur la bouteille contenant le produit à utiliser pour nettoyer votre four.

Nettoyage de l'extérieur du four

1. Saturer un chiffon d'un nettoyant pour acier inoxydable et bien essuyer l'extérieur du four.

REMARQUE: la coloration de recuit et la lourde décoloration peuvent être éliminées au moyen d'un produit commercial non caustique pour nettoyer les fours.

2. Essuyer le four au moyen d'un linge propre afin de le sécher.

Nettoyage de l'intérieur du four

1. Retirer les grilles, les supports de grilles et le couvercle de la roue du ventilateur (panneau arrière) de l'intérieur du four. Tremper les pièces dans une solution d'ammoniac et d'eau.

REMARQUE: pour retirer le couvercle de la roue du ventilateur, desserrer les vis situées dans chaque coin du four, puis soulever et sortir le couvercle.

2. L'intérieur en porcelaine peut être nettoyé au moyen d'un produit nettoyant pour four commercial. S'assurer que les composants à net-

toyer caustiques n'ENTRENT PAS en contact avec la sonde de température, l'élément chauffant et la roue du ventilateur. Laisser reposer le nettoyant de 10 à 20 minutes ou pendant la période de temps recommandée sur le contenant.

3. Enlever le produit nettoyant avec un linge mouillé.
4. Réinstaller les grilles, les supports de grilles et le couvercle de la roue du ventilateur.

Nettoyage Hebdomadaire

S'assurer que la bouche d'entrée d'air (le ventilateur de refroidissement) situé derrière le four soit libre de tout inhibiteur de débit d'air tel que la peluche ou la graisse. Garder la bouche d'entrée d'air libre de toute obstruction afin de prolonger la durée de vie des éléments du four.

ENTRETIEN PRÉVENTIF

Il doit être assuré par une installation initiale correcte et un programme de nettoyage régulier des fours.

Maintenance annuelle

Les fours n'ont pas besoin d'être graissés. Il faut cependant vérifier annuellement le système de ventilation afin d'éviter la détérioration provenant de l'humidité et de la corrosion des produits évacués.

Si des réparations ou de la maintenance est nécessaire, prendre contact avec une entreprise de service Blodgett locale, avec le représentant de l'usine ou avec l'usine.



AVERTISSEMENT!!

Toujours débrancher le four avant toute intervention de nettoyage, d'entretien ou de réparation.



Entretien

Guide de Détection des Pannes

CAUSE(S) PROBABLE(S)	SUGGESTION
SYMPTOME: Le four ne s'allume pas.	
<ul style="list-style-type: none">• Le gaz est fermé.• Le four n'est pas branché.• L'interrupteur électrique du panneau de contrôle est sur arrêt.• Contrôle réglé au-dessous de la température ambiante.• Portes ouvertes.	<ul style="list-style-type: none">• Tourner la vanne de gaz sur ON (MARCHE).• Brancher le fil dans la prise.• Régler le panneau de contrôle sur COOK (CUISSON) ou OVEN ON (FOUR MARCHE).• Régler la température désirée.• Fermer les portes.
SYMPTOME: Le four n'atteint pas "Prêt".	
<ul style="list-style-type: none">• Le four n'a pas terminé son cycle de préchauffage.• La vanne de gaz n'est pas complètement ouverte.• La déconnexion rapide n'est pas connectée.• La pression du gaz au four est trop basse.• Problème interne avec le contrôle de température principal.	<ul style="list-style-type: none">• Attendre que le four est atteint sa température de préchauffage.• Vérifier la vanne de gaz et l'ouvrir si nécessaire.• Reconnecter la connexion rapide. Vérifier toutes les connexions de gaz.• Appeler un technicien de la compagnie du gaz.• *
SYMPTOME: Le ventilateur de convection ne tourne pas.	
<ul style="list-style-type: none">• Le four n'est pas branché.• Le disjoncteur est déclenché.• Les portes sont ouvertes.	<ul style="list-style-type: none">• Brancher le fil dans la prise.• Réenclencher le disjoncteur.• Fermer les portes.
SYMPTOME: Problèmes courants de cuisson au four.	
<ul style="list-style-type: none">• Calibrage du thermostat hors service.• Mauvaise ventilation du four.	<ul style="list-style-type: none">• *• *

*Indique un type d'intervention délicate qui devrait être confiée uniquement à un personnel qualifié. Plutôt que d'intervenir personnellement, en tant qu'utilisateur ou acheteur de l'appareil, il est conseillé de confier TOUT réglage et/ou TOUTE réparation à un agent commercial ou représentant local Blodgett. Blodgett ne saura être tenu responsable d'un dommage résultant d'une réparation ou d'un service d'entretien effectué par un personnel non qualifié.



AVERTISSEMENT!!

Toujours débrancher le four avant toute intervention de nettoyage, d'entretien ou de réparation.

**INSERT
WIRING DIAGRAM
HERE**

**PLACER
SCHÉMA DE CÂBLAGE
ICI**