

Norton®

Since 1880 • The American Original™



1700 Series Light Commercial Door Closers

An ASSA ABLOY Group company

ASSA ABLOY

OVERVIEW

Norton® 1700 Series Door Closers are multi-feature closers whose compact design is ideal for application on interior doors. This narrow-stile closer has distinctive lines that harmonize with most decors. It is available with a full cover to provide an installation with compatible appearance to other door closers with covers. The Norton 1700 Series Door Closer offers an economical alternative for those installations where a more heavy-duty closer is not necessary.


Standard Features

- Tri-Style® packaging: closer tri-packed for regular arm, top jamb or parallel arm installation.
- Non-Handed
- Aluminum Alloy Shell
- Rack & Pinion Operation
- Adjustable Closing Speed
- Adjustable Latch Speed
- Non-Hold Open

Optional Features

- Adjustable Backcheck Cushioning: independent regulating valve; order 1700BC Series.
- Full Molded Cover: order 1700COV/1700BCCOV.
- Hold open optional, order 1700H/1700BCH

Compliance Standards

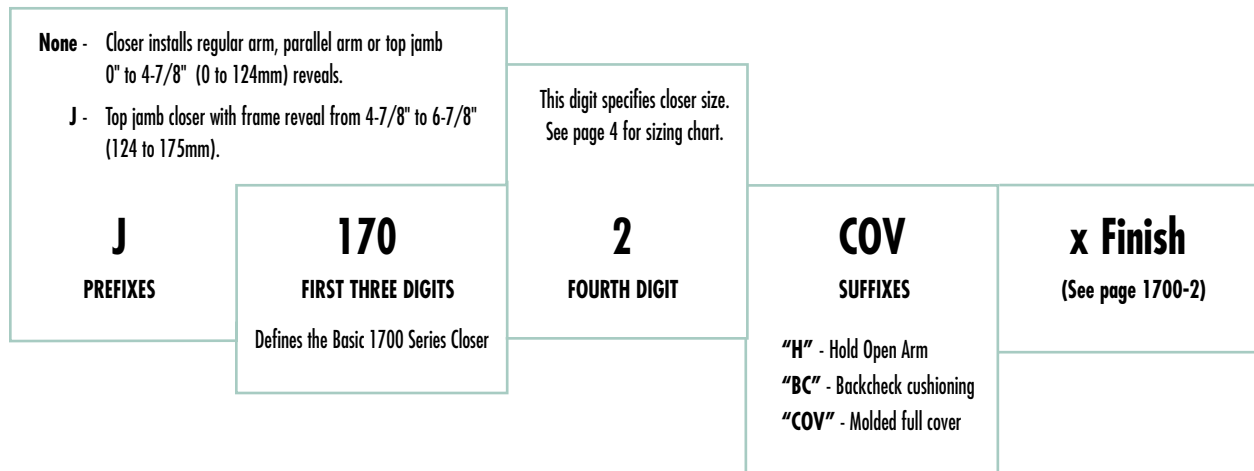
All series 1700 comply with ANSI/BHMA A156.4 Grade 2 specification.  All Norton series 1700 closers with non-hold open arms are listed by Underwriters' Laboratories for labeled fire doors. This includes compliance to UL10C and UBC-72 (1997) for 3-hour assemblies. The product is manufactured in an ISO 9001 facility.

Sprayed Finishes

Description	Specify Norton (BHMA) Designation	Complements the following finishes	Old Norton Designation
Aluminum	689	628, 625, 629, 630, 651, 652	AL
Statuary Bronze	690	640, 613	STAT
Dull Bronze	691	612, 637, 639	DB
Black	693	315	315
Medium Amber	694	312	312
Gold	696	605, 606, 632, 633	GB
Prime Coat (Beige)*	600		SRI

* Available at extra cost. Closers can be ordered prime coated only, i.e. # (SRI) or Prime Coated with finish, i.e. SRI x 690.

Introduction	2
Features	2
Finishes	2
Compliance Standards	2
How To Order	3
Suggested Specifications	3
Accessories/Sizing Chart	4
Regular Arm Installation	5
Top Jamb Installation	6
Parallel Arm Installation	7



Packing Information

Norton® 1700 Series Door Closers are packed for Tri-Style® Installation one to a box and include the closer, appropriate arm for Regular Arm or Top Jamb mounting, soffit bracket for Parallel Arm mounting, cap for the pinion, hex key for valve adjustment, installation instructions and self-drilling, self-tapping and machine screws for mounting. When a Full Molded Cover is ordered, it will be included in the box with the closer.

Tri-Style® Installation closers, installed Top Jamb, will accommodate reveals to 4-7/8" (124mm). "J" prefixed closer for reveals from 4-7/8" to 6-7/8" (124 to 175mm) will be packaged with the top jamb arm only.

Through-bolts, grommet nuts and sex nuts are available to special order.

Suggested Specifications

Closers for interior doors shall be full rack-and-pinion type with cast aluminum alloy shell. Closer shall be non-handed to permit installation on either hand of door. Closer to be supplied with brackets to allow regular arm, parallel arm or top jamb mounting. Closer to have non-critical valves to independently regulate sweep speed (and) latch speed (and backcheck cushioning.) The forearm bracket shall permit a 15% power adjustment by rotating the forearm and bracket 180° at the door or frame. (Closer shall be enclosed in a molded full cover.) Closer to be Norton 1700/1700BC Series, 1700COV/1700BCCOV Series.

ACCESSORIES & SIZING CHART

Door Plates

For narrow top rails, narrow frame faces, and top jamb hold open installations. Plates vary in size when the closer is ordered with or without a Molded Full Cover. Order Drop Plates from the chart. Specify finish when ordering separately.

Type of Installation	Drop Plate Model Number	
	Without Cover	With Cover
Regular Arm	1746	1756
Top Jamb	1746	1757
Parallel Arm	1748	1758

For drop plate requirements, see Dimensional Information pages 5-7.

Molded Full Cover

Molded of high-impact U.L. Listed material for completely enclosing the closer body, mounting screws and the unused pinion shaft. This cover is non-handed. It has two notches; one for clearance of the pinion shaft. An insert is included for insertion into the unused notch. Four molded catches engage the closer body for easy yet secure installation. To order this cover separately, specify 17P x Finish.

Door Sizing Chart

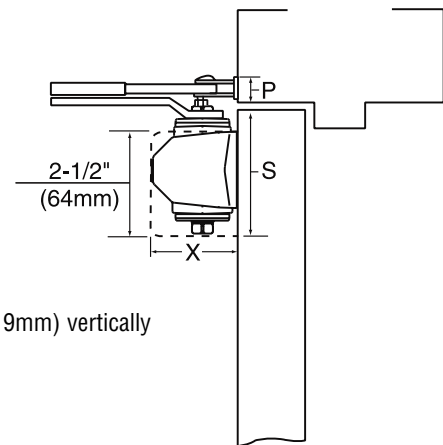
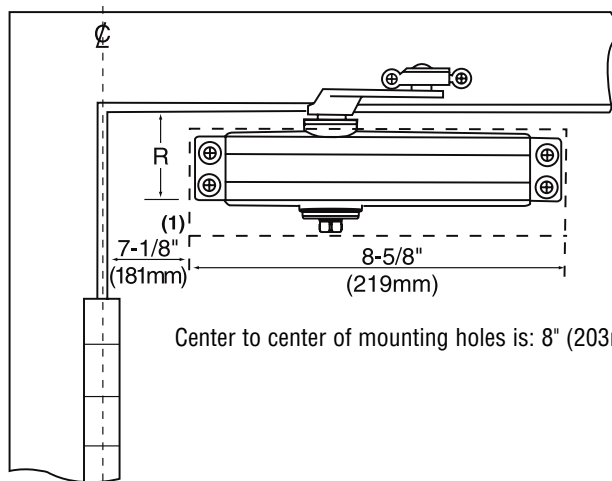
Model Number		Interior Doors: Maximum Size Wood or Metal (cm)		
		Type of Installation		
Non-Hold Open	Hold Open	Regular Arm	Parallel Arm	Top Jamb
1701(BC)	1701(BC)H	The 1701 closer (size 1) is intended for use on doors with a minimum clear opening width of 2'8" (81cm) to provide less than 5.0 lbs. (22.2N) of door opening resistance.		
1702(BC)	1702(BC)H	30" (76)	30" (76)	30" (76)
1703(BC)	1703(BC)H	36" (91)	32" (81)	36" (91)
1704(BC)	1704(BC)H	42" (107)	36" (91)	42" (107)

Door width information is based on 1-3/4" (44mm) x 7" (2.13m) standard weight doors swinging 110°. Other conditions (such as door height, weight, or draft conditions) may require a larger size closer.

1700 Series Door Closer

REGULAR ARM INSTALLATION

CLOSER MOUNTS ON PULL
SIDE OF DOOR; ARM SHOE
ON FRAME FACE.



Center to center of mounting holes is: 8" (203mm) horizontally x 3/4" (19mm) vertically

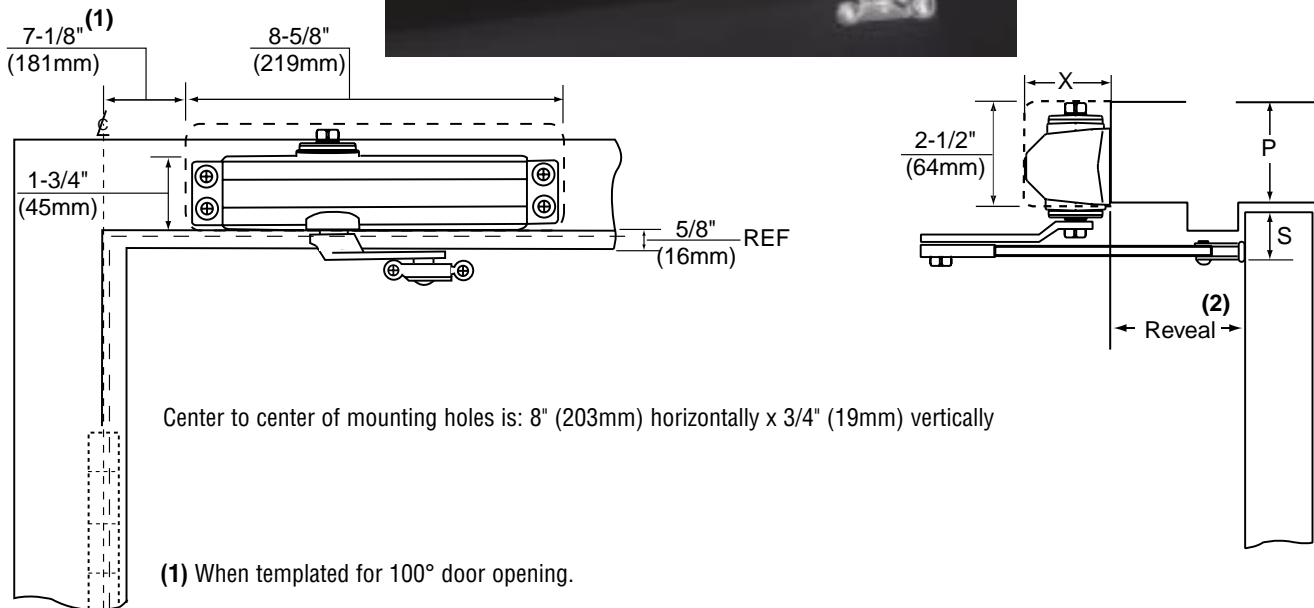
(1) When templated for 100° door opening.

R Minimum Top Rail				S Minimum Top Rail Clearance		P Minimum Ceiling Clearance Without Drop Plate		X Closer Projection	
Without Drop Plate		With 1746/1756 Drop Plate		Non-Hold Open	Hold Open	Non-Hold Open	Hold Open	Without Cover	With Cover
Non-Hold Open	Hold Open	Non-Hold Open	Hold Open						
2" (51)		1-1/4" (32)		3" (76)	2-7/8" (73)	1" (25)	1-3/8" (35)	1-15/16" (49)	2-1/16" (52)

See Sizing Chart on page 1700-4.

TOP JAMB INSTALLATION

**CLOSER MOUNTS ON PUSH
SIDE OF FRAME; ARM SHOE
MOUNTS TO DOOR.**



S Minimum Top Rail Clearance			P Minimum Ceiling Clearance				X Closer Projection	
Without Drop Plate	With 1746/1757 Drop Plate		Without Drop Plate		With 1746/1757 Drop Plate		Without Cover	With Cover
Non-Hold Open	Non-Hold Open	Hold Open	Non-Hold Open	Hold Open	Non-Hold Open	Hold Open		
1-1/4" (32)	2-1/4" (57)	2-5/8" (67)	2-1/2" (64)	N/A**	1-3/4" (44)		1-15/16" (49)	2-1/16" (52)

See Sizing Chart on page 1700-4.

Note: Use of hold open arm requires use of a drop plate.

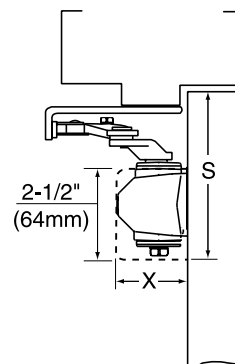
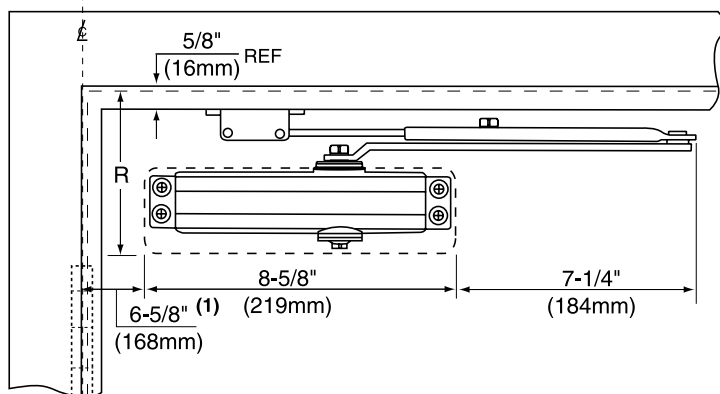
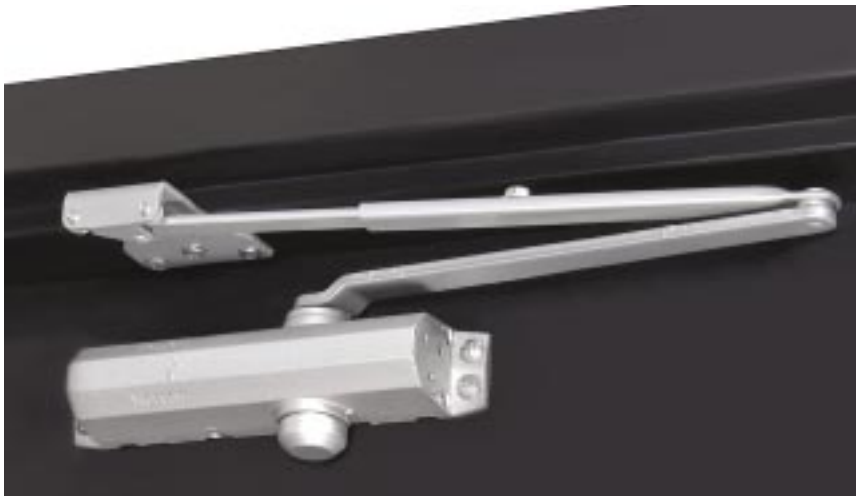
Reveal Information

(2) The standard 1700 Series non-hold open closers and 1700H Series hold open closers (Top Jamb mount) accommodate frame reveals for 0" to 4-7/8" (0 to 124mm).

J1700 Series non-hold open closers and J1700H Series hold open closers accommodate frame reveals from 4-7/8" to 6-7/8" (124 to 175mm). These closers are not supplied with Tri-Style® installation hardware.

PARALLEL ARM INSTALLATION

**CLOSER MOUNTS ON
PUSH SIDE OF DOOR;
PARALLEL ARM BRACKET
ON FRAME SOFFIT.**




Center to center of mounting holes is: 8" (203mm) horizontally x 3/4" (19mm) vertically

(1) When templated for 100° door opening.

R Minimum Top Rail				S Minimum Top Rail Clearance		X Closer Projection	
Without Drop Plate		With 1748/1758 Drop Plate		Non-Hold Open	Hold Open	Without Cover	With Cover
Non-Hold Open	Hold Open	Non-Hold Open	Hold Open				
4" (102)	4-1/4" (108)	2-1/4" (57)		4-3/4" (121)	5" (127)	1-15/16" (49)	2-1/16" (52)

See Sizing Chart on page 1700-4.

Norton®



Only the best are imitated.

How flattering for us.

The most copied door closers on the planet.

Norton®
Since 1880 • The American Original™

Norton Door Controls

1902 Airport Road
Monroe, NC 28110
Telephone: 1.800.438.1951
Fax: 1.800.338.0965

Yale-Corbin Canada Ltd

6940 Edwards Boulevard
Mississauga, Ontario, Canada L5T 2W2
Telephone: 1.800.461.3007
Fax: 1.800.461.8989

For a complete listing of products and applications please visit our web site.

www.nortondoorcontrols.com

www.yalecorbin.on.ca

Norton® closers...still proudly manufactured in the United States with more than 75% U.S. content.

Norton®, Tri-Style® and Yale Security Inc.® are registered trademarks of Yale Security Inc. These materials are protected under U.S. copyright laws. All contents current at time of publication. Yale Security Inc. reserves the right to change availability of any item in this catalog, its design, construction, and/or its materials. Other products brand names may be trademarks or registered trademarks of their respective owners and are mentioned for reference purposes only. Copyright® 1999 - 2004 Yale Security Inc. All rights reserved.

The ASSA ABLOY Group is the world's leading manufacturer and supplier of locks and associated products, dedicated to satisfying end-user needs for security, safety and convenience.