

MOTOR SPECIFICATIONS:

MODEL	VOLTS	RPM	IN. OZ	AMP	SWITCHABLE	GRANGER
CJM-2407-122XG	24	8	80	.1	-	20UH03
CJM-2407-126G	24	14	320	.1	-	20UH04
CJM-2407-57G	24	20	120	.4	YES	20UH05

APPROVALS ENG: SHAY SALES: -

MOLON PART NO. CJM-GRANGER-SPECS

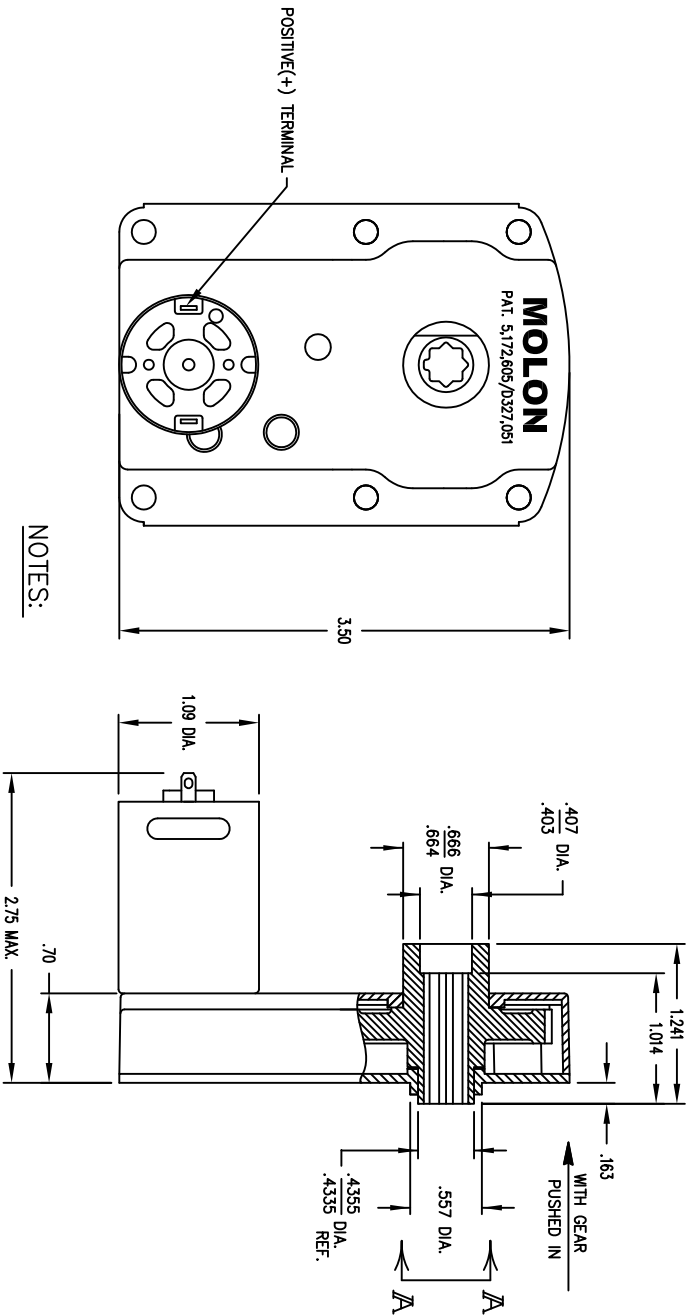
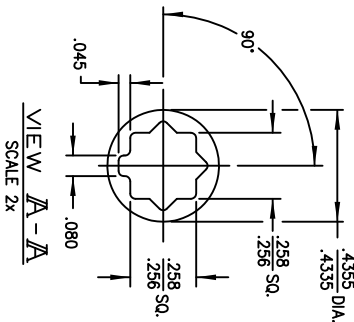
DESCRIPTION: SPES SHEET # PK-10484-CJM

CUSTOMER:

GRANGER

2014 INTRO

SCALE	DRWN BY	SHAY	CHK BY	DATE	BY	CK.
—	—	—	—	6/10/13	—	—
LET.	CHANGE	—	—	DATE	BY	CK.
A	RELEASE	—	—	1/22/14	SHAY	—



NOTES:

- 50% DUTY CYCLE
- REVERSABLE MOTOR
- DO NOT STALL MOTOR
- DO NOT BACKDRIVE GEAR BOX
- PLASTIC GEARBOX: COLOR BLACK
- OPEN BRUSH MOTOR
- OPTIONAL MICRO SWITCH TYPE SPDT-E-779

