



The material matters in material handling

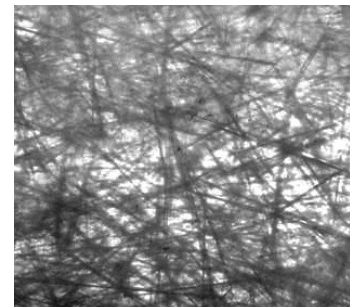


Product Benefits & Solutions

Thanks to their composite design, MFG Tray Toteline™ products offer substantial strength and weight-carrying capacity resulting in exceptional stacking capability under heavy loads. Thanks to their dimensional stability, they are also ideal for machine integration and robotic applications, and can be used continuously in temperatures ranging from -60° to 250° F (-51° to 121° C), and intermittently in temperatures 300° F and higher. Glass-reinforced thermosets increase in impact strength as temperatures decrease, and MFG products have performed well in temperatures as low as -190° F. Standard formulations are impervious to radiation, cutting oils, detergents, mild acids and alkaline solutions ranging from 3.0 to 10.0 pH. Models are available that may be used in chemical solutions from 3.0 to 12.0 pH. The standard formulation is approved for UL 94 HB flammability rating.

MFG Tray products bring an array of performance differentials to material handling applications, including high strength-to-weight ratios, corrosion resistance, temperature stability, and dimensional stability with high load-bearing capacities. MFG Tray products combine outstanding performance features with long service life to ensure exceptional value.

The MFG Tray material handling line is comprised of over 300 different containers for general and specific processing, conveying, transporting and storing requirements. In addition, MFG Tray offers modifications such as handholds, drain holes, drop handles, grommets, casters and dollies to meet specific application needs. Wire-rim reinforcement is available on certain products for added dimensional stability.



Fibers in MFG Tray products are multidirectional or random for optimal tensile and torsion strength of the finished part. Fiber lengths vary from 1" to 2". The composites can contain up to 35 percent of randomly oriented fibers by weight.

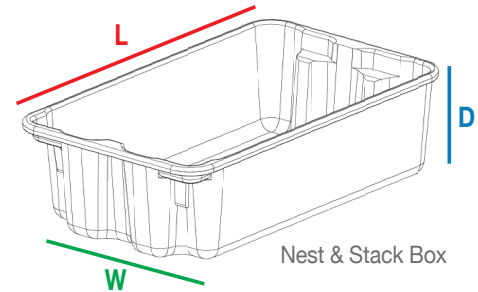




Heavy-Duty Fiberglass Stacking and Nesting Containers

- Fiberglass-reinforced thermoset composite construction
- Temp. range: -60° to 250° F constant

Bottom container can support a max. stack capacity of 3500 lb. Optional lids and fiberglass-reinforced dollies with 3" swivel casters are available separately.



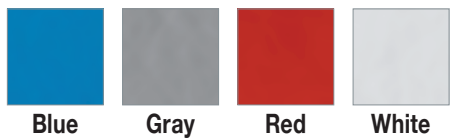
Nest & Stack Box

Stacking & Nesting Containers

L	Outside W	D	Load Cap.	Choose Container and Lid Color	Containers Item No.	Lids Item No.	Dollies Item No.
17 7/8"	10 5/8"	5"	300 lb.	Blue, Gray or Red	D5613	D5619	5EU71
19 3/4"	12 1/2"	6"	300 lb.	Blue, Gray or Red	D5614	D5621	5EU74
20 1/2"	12 7/8"	8"	300 lb.	Blue, Gray or Red	D5615	D5622	5EU76
24 1/4"	14 3/4"	8"	300 lb.	Blue, Gray or Red	D5616	D5623	5EU78
25 1/4"	18"	6"	500 lb.	Blue, Gray or Red	D5617	D5624	1NTL2
25 1/4"	18"	10"	500 lb.	Blue, Gray or Red	D5618	D5624	1NTL2

Stacking Containers

L	Outside W	D	Load Cap.	Choose Container and Lid Color	Containers Item No.	Lids Item No.	Dollies Item No.
25 3/4"	17 3/4"	3"	400 lb.	Gray or White	F8688	D5625	1UTZ7
25 3/4"	17 3/4"	4 1/2"	400 lb.	Gray or White	F8673	D5625	1UTZ7
25 3/4"	17 3/4"	6"	400 lb.	Gray or White	F8686	D5625	1UTZ7
33"	15 3/5"	—	—	White	—	—	—

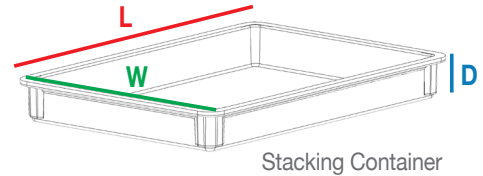




Toteline™ Fiberglass Stacking Containers

- Fiberglass-reinforced thermoset composite construction
- Load capacity: 50 to 200 lb.

Durable containers resist cutting oils, grease and solvents. Feature radius corners and integral molded-in handles for safe and easy handling. Easy to clean with hot water or steam using standard detergents. Ideal for forgings, machined parts, stampings, ceramics, rubber, and other hot parts emerging from molds or processing machines.



Stacking Containers

L	Outside W	D	Load Cap.	Choose Color	Stacking Container Item No.
16 1/2"	11 3/8"	4 5/8"	200 lb.	Gray or White	H3424
17 3/4"	10 1/2"	4 1/8"	200 lb.	Gray or White	H3425
18 3/4"	11 7/8"	1 3/4"	200 lb.	Blue, Gray or White	H3423
20 3/4"	11 1/4"	2 3/8"	150 lb.	Gray or White	H3421
22"	12"	1 1/4"	150 lb.	Gray or White	H3426
23 3/8"	12"	3 1/8"	200 lb.	Blue, Gray or White	H3427
23 3/8"	12"	6"	300 lb.	Blue, Gray or White	H3428
23 3/8"	12"	4 3/8"	225 lb.	Blue, Gray or White	H3429
30 3/8"	15 7/8"	2 3/4"	150 lb.	Gray or White	H3422
Container Lids					
For use with container Nos. H3426 to H3429			Blue, Gray or White	H3430	

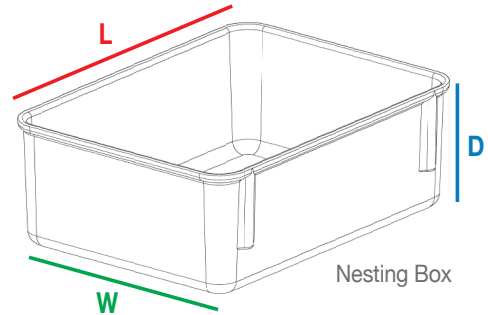




Nesting Boxes

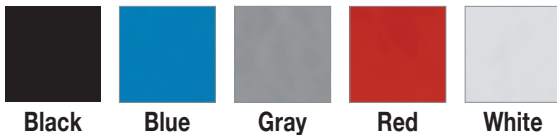
- Fiberglass-reinforced thermoset composite construction
- Load capacity: 50 to 200 lb.
- Temp. range: -60° to 250° F constant

Lightweight containers stack on the lids, and nest when empty to save storage space. Dimensionally stable; can be modified without destroying the structural integrity of the part (drain holes, slotted sides, dividers, handles, latches, etc.). Lids available separately.



Nesting Boxes

L	Outside W	D	Choose Box and Lid Color	Nesting Container Item No.	Lids Item No.
6 1/8"	4 7/8"	2 1/8"	Black, Blue, Gray, Red or White	E9326	E9331
9 3/4"	6 1/8"	2 1/8"	Black, Blue, Gray, Red or White	E9327	E9332
9 3/4"	6 1/8"	4 1/2"	Black, Blue, Gray, Red or White	E9329	E9332
9 3/4"	9 1/4"	2 1/8"	Gray or White	D5609	D5612
9 3/4"	9 1/4"	4 1/2"	Gray or White	D5611	D5612
11 3/8"	9 1/4"	3 3/8"	White	1NTR6	1NTR7
11 3/4"	8 3/4"	4 1/8"	Black, Blue, Gray, Red or White	E9325	E9330
12 3/8"	9 3/4"	2 1/8"	Black, Blue, Gray, Red or White	E9328	E9333



For more information contact your Grainger Representative or visit Grainger.com®.

