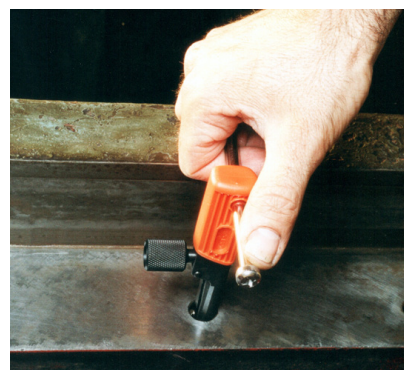
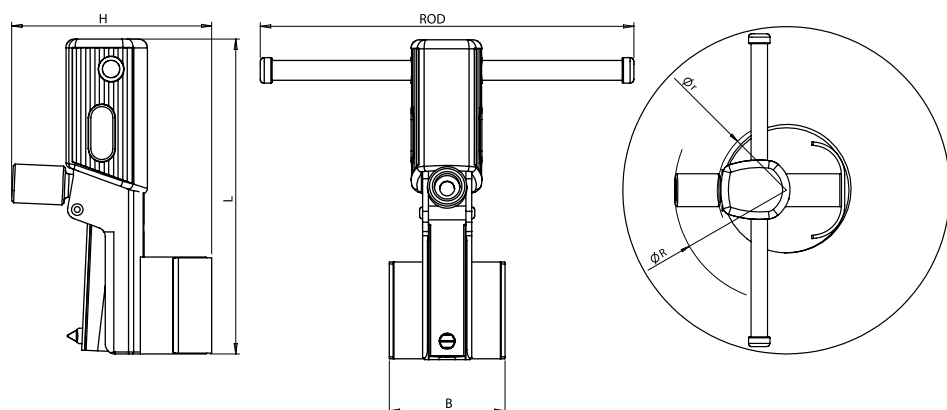


INTERNAL TOOLS



Nes 25 cat # 07251
Repair diameter Range **1 1/4" - 2 1/8" M32- M54**

Nes 25	ØD Range	Pipes	L	B	H	ROD	Ør	ØR	Package Size			Weight	
									L	W	H	lb	gm
inch	1 1/4-2 1/8	7/8-2 1/4	6 7/16	1 1/2	3 3/16	7 9/16	1 3/8	2 1/16	8 3/16	3 3/8	1 1/8	2.1	950
mm	32-54		163	38	81	192	35	62	208	85	42		



Nes 26 cat # 07263 (the tool includes Nes 25)
Repair diameter Range **1 1/4" - 2 5/8" M32- M68**

Nes 26	ØD Range	Pipes	L	B	H	ROD	Ør	ØR	Package Size			Weight	
									L	W	H	lb	gm
inch	1 1/4-2 5/8	7/8-2 1/4	6 7/16	1 15/16	3 3/8	7 9/16	1 3/8	2 3/4	8 3/16	3 3/8	1 1/8	2.4	1100
mm	32-68		163	50	92	192	41	70	208	85	42		



Nes 27 cat # 07271
Repair diameter Range **2 3/4" - 3 3/16" M69-M81**

Nes 27	ØD Range	Pipes	L	B	H	ROD	Ør	ØR	Package Size			Weight	
									L	W	H	lb	gm
inch	2 3/4-3 3/16	2 3/8-2 3/4	6 7/16	1 15/16	4 1/16	7 9/16	1 7/8	3	10 9/16	10	2 7/8	3.1	1420
mm	69-81		163	50	103	192	48	76	270	255	73		



Nes 28 cat # 07281
Repair diameter Range **3 1/4" - 3 3/4" M82-M95**

Nes 28	ØD Range	Pipes	L	B	H	ROD	Ør	ØR	Package Size			Weight	
									L	W	H	lb	gm
inch	3 1/4-3 3/4	2 3/4-3 1/4	6 7/16	1 15/16	4 5/8	7 9/16	2 1/8	3 1/4	10 9/16	10	2 7/8	3.2	1460
mm	82-95		163	50	118	192	54	82	270	255	73		



Nes 29 cat # 07291
Repair diameter Range **3 3/4" - 4 1/4" M96-M108**

Nes 29	ØD Range	Pipes	L	B	H	ROD	Ør	ØR	Package Size			Weight	
									L	W	H	lb	gm
inch	3 3/4-4 1/4	3 1/2-3 3/4	6 7/16	1 15/16	5 3/16	7 9/16	2 3/8	3 1/2	10 9/16	10	2 7/8	3.3	1500
mm	96-108		163	50	132	192	61	88	270	255	73		



Replacement Blades

Product	Part Name	Part no#	Description
Nes 25	RK 25 60°C	07256	Fitted as standard
	RK 25 60°F	07258*	For threads finer than 14 TPI or 1.75mm
Nes 26	RK 25 55°C	07255	Comply to British standard threads
	RK 25 55°F	07252	for threads finer than 14 TPI or 1.75mm
	RK 26 60°C	07266*	
	RK 26 60°F	07268*	For threads finer than 14 TPI or 1.75mm
	RK 26 55°C	07265	Comply to British standard threads
	RK 26 55°F	07262	for threads finer than 14 TPI or 1.75mm

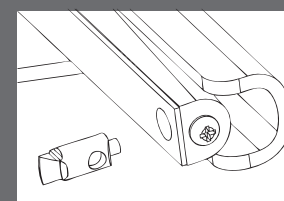
*Supplied with Nes 26.

Available accessories:

	Sleeve	Range	Remark
Nes 25		Attachable sleeve 25 Cat # 07259	1 3/4" (44mm) till 2 1/8" (54mm) Included
Nes 26		Attachable sleeve 26 Cat # 07269	2 1/8" (54mm) till 2 5/8" (68mm) Included

Replacement Blades

Product	Cat. no#	Part Name	Part no#	Description
Nes 27	07271	RK 26 60°C	07266	Fitted as standard
		RK 26 60°F	07268	For threads finer than 14 TPI or 1.75mm
Nes 28	07281	RK 26 55°C	07265	Comply to British Whitworth standard threads
		RK 26 55°F	07262	For threads finer than 14 TPI or 1.75mm



Recommended for -

- Large internal threads in:
- Oil & Gas production & pipelines
- Mining Industry
- Large Truck & heavy soil moving equipment
- Large production machinery