

DUSK-TO-DAWN DDL MULTIPURPOSE LED LUMINAIRE

Cat.#	
Job	Type



Approvals

SPECIFICATIONS

Intended Use:

Multi-purpose dusk-to-dawn LED luminaire provides general purpose area/security, roadway and landscape lighting. For operation in -35°C - 40°C ambient temperatures.

Construction:

- Rugged die-cast aluminum housing with both 2-3/8" & 1-5/8" OD mast arm mount capability as well as direct wall/surface mounting; Textured gray powder paint provides corrosion resistance and clean finish

LED (Choice of):

DDL-9L – 40w, 86 LPW

- 9 high power LEDs deliver 3437 lumens with symmetrical lens and 3246 with asymmetrical lens, 5000K CCT, 67 CRI

DDL-56L – 30w, 97 LPW

- 56 mid power LEDs deliver 2906 lumens, 4000K CCT, 80 CRI

DDL-140L – 43.5w, 121 LPW

- 140 mid power LEDs deliver 5279 lumens, 5000K CCT, 80 CRI

Optical/Electrical

- Symmetric LED lens installed standard
- DDL-9L only: Field rotatable asymmetric LED lens included for pathway/ roadway applications
- Single 120V 50/60Hz driver (Surge protection integral with driver)
- 120V twist-lock style photocontrol included
- Reflector provides enhanced security lighting and LED brightness control
- Less refraction provides zero uplight design for environmentally friendly installations

Installation:

Versatile mounting options include:

- Three 1/4" slots for wall/surface
- 24" (18" projection) aluminum mast arm included for DDL-9L and DDL-140L only; Arm not included for DDL-56L
- Mast arm clamp adjusts to 2-3/8" or 1-5/8" OD arms

Listings:

- Meets DesignLights Consortium (DLC) qualifications, (*DDL-9L1 only)
- Listed to UL1598 for use in wet locations
- Driver IP66 and RoHS compliant
- EPA = 0.5
- ANSI 3G Rated

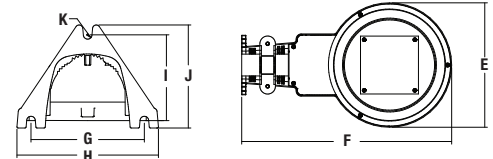
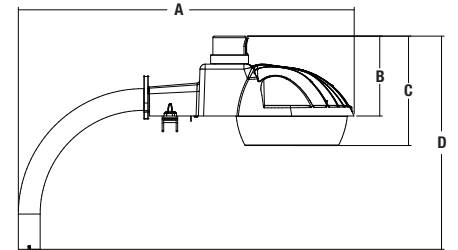
Warranty:

For more information visit:
<http://www.hubbelloutdoor.com/resources/warranty/>

PRODUCT IMAGE(S)



DIMENSIONS



A	B	C	D	E	F
29.72"	6"	8.25"	16.19"	9.45"	16"
754 mm	152 mm	209 mm	411 mm	240 mm	406 mm
G	H	I	J	K	
3.62"	4.52"	2.74"	3.29"	.138"	
92 mm	115 mm	69 mm	84 mm	3.5 mm	

SHIPPING INFORMATION

Catalog Number	G.W.(kg)/ CTN	Carton Dimensions		
		Length Inch (cm)	Width Inch (cm)	Height Inch (cm)
DDL (Single carton 1pc.)	4.57	17.83"	14.49"	7.68"
DDL (Master carton 2 pcs.)	10.00	18.23"	14.88"	16.34"

Carton dimensions for shipping purposes only – Pallet Quantity 40

CERTIFICATIONS/LISTINGS



ORDERING INFORMATION

Catalog Number	Construction	Mount	Wattage	Drive Current	Voltage	Color Temperature	Lumens	LPW	Weight lbs. (kg)
DDL-9L1*	Die-cast aluminum	Wall/Arm included	40	1280mA	120V	5000K	3437	86	6.8 (3.08)
DDL-56L-4K-1	Die-cast aluminum	Wall/Arm not included	30	150mA	120V	4000K	2906	97	6.8 (3.08)
DDL-140L-1	Die-cast aluminum	Wall/Arm included	43.5	92mA	120V	5000K	5279	121	6.8 (3.08)

*DesignLights Consortium (DLC) Qualified

Catalog Number	Description
ARM-DD24	24" aluminum arm with hardware
ARM-DD30	30" aluminum arm with hardware
DDL-DRIVER-120V	Driver for DDL-9L (120V)
DDL-DRIVER-56	Driver for DDL-56L (120V)
DDL-DRIVER-140	Driver for DDL-140L (120V)

Catalog Number	Description
DDL-LENS-140	LED Symmetric lens for DDL-140L
DDL-LENS2	LED Asymmetric lens for DDL-9L
DDL-LENS5	LED Symmetric lens for DDL-9L or DDL-56L
DDL-REFR	Reflector for DDL-9L for all DDL models



Hubbell Outdoor Lighting • 701 Millennium Boulevard • Greenville, SC 29607 • Phone: 864-678-1000
Due to our continued efforts to improve our products, product specifications are subject to change without notice.

© 2014 HUBBELL OUTDOOR LIGHTING. All Rights Reserved • For more information visit our website: www.hubbelloutdoor.com • Printed in USA

DDL9LED-SPEC-10/14

PERFORMANCE DATA

# OF LEDS	DRIVE CURRENT (MILLIAMPS)	SYSTEM WATTS	DISTRIBUTION TYPE	CCT	LUMENS	LPW	B	U	G
9	1280mA	40w	Symmetric	5000K	3437	86	1	0	1
9	1280mA	40w	Asymmetric	5000K	3246	81	1	0	1
56	150mA	30w	Symmetric	4000K	2906	97	1	0	0
140	92mA	43.5w	Symmetric	5000K	5279	121	2	0	1

Lumen values are from photometric tests performed in accordance with IESNA LM-79-08. Data is considered to be representative of the configurations shown. Actual performance may differ as a result of end-user environment, application and inherent performance tolerances of the electrical components.

LUMINAIRE AMBIENT TEMPERATURE FACTOR (LATF)

AMBIENT TEMPERATURE		LUMEN MULTIPLIER
0°C	32°F	1.02
10°C	50°F	1.01
20°C	68°F	1.00
25°C	77°F	1.00
30°C	86°F	1.00
40°C	104°F	0.99
50°C	122°F	0.98

Use these factors to determine relative lumen output for average ambient temperatures from 0-50°C (32-122°F).

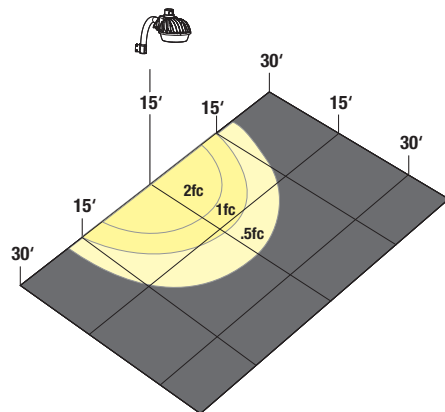
PROJECTED LUMEN MAINTENANCE

AMBIENT TEMP.	OPERATING HOURS					Calculated L70 (HOURS)
	0	25,000	50,000	¹ TM-21-11 60,000	100,000	
40°C / 104°F	0.99	0.94	0.91	0.89	0.84	>216,000

ELECTRICAL DATA

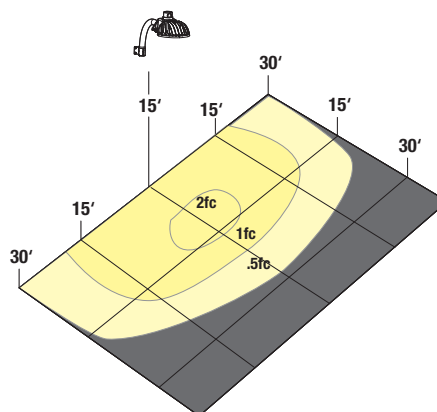
# OF LEDS	NUMBER OF DRIVERS	DRIVE CURRENT (mA)	INPUT VOLTAGE (V)	CURRENT (Amps)	SYSTEM POWER (W)
9	1	STD. (1280mA)	120	0.35	40
56	1	STD. (150mA)	120	-	30
140	1	STD. (92mA)	120	-	43.5

PHOTOMETRICS For additional photometric information and IES downloads, visit our web site at www.hubbelloutdoor.com



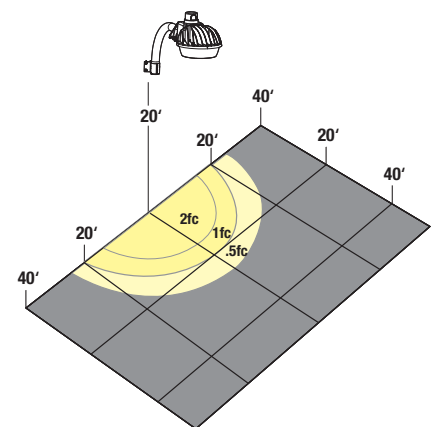
DDL-9L1

Symmetric LED lens



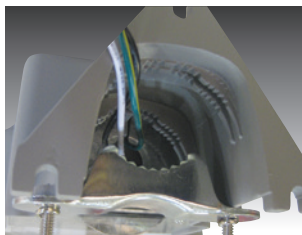
DDL-9L1

Asymmetric LED lens

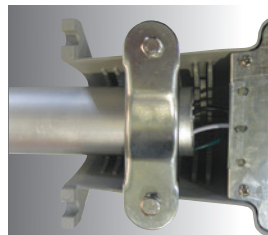


DDL-140L-1 at 20'

MOUNTING OPTIONS (ALL VERSIONS)



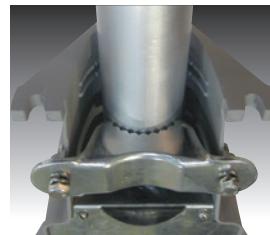
Dual rows of serrated teeth ensure positive grip on mast arm, preventing loosening due to continuous vibration



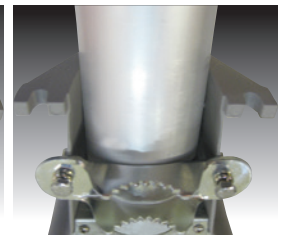
Bottom view of stainless steel mast arm clamp



Stainless steel mast arm clamp is reversible accommodating either 2-3/8" or 1-5/8" OD arms



Mast arm clamp easily adjusts to 1-5/8" OD arms with two 3/8" bolts

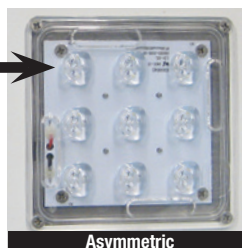


Reversible clamp easily adjusts to 2-3/8" OD arms with two 3/8" bolts

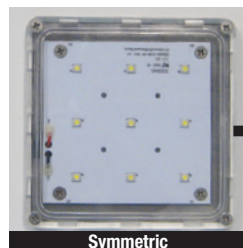
DDL-9L OPTICAL OPTIONS (OPTICAL OPTIONS)



Molded orientation marker for rotatable LED asymmetric lens, align lens with "house" icon for desired light direction



Asymmetric



Symmetric



Field rotatable/configurable LED lenses included (DDL-9L-1 only)