



15AC8750

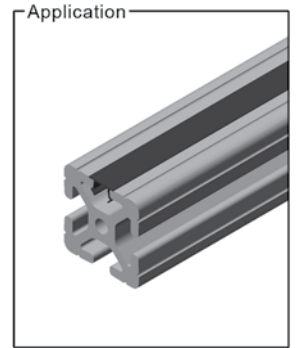
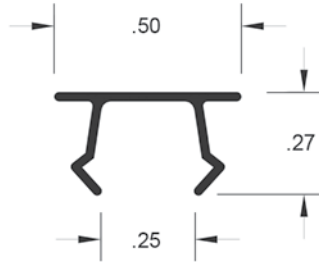
YELLOW T-SLOT COVER

15AC8751

BLACK T-SLOT COVER

15AC8753

GRAY T-SLOT COVER

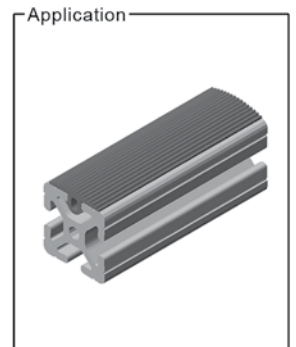
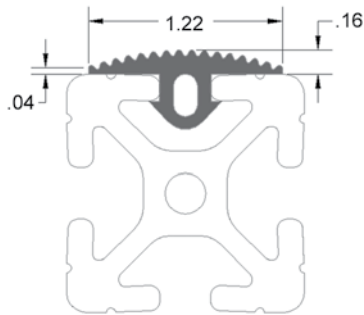
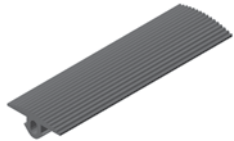


STOCK LENGTH = 96.0"

- Presses easily into t-slot
- Keeps t-slots covered and clean
- Provides a clean, finished look to any project

15AC8776

ANTI-SKID COVER

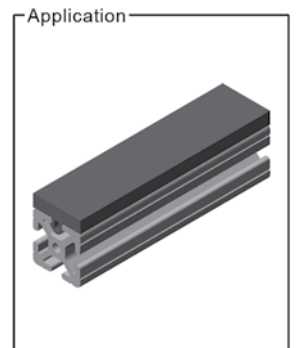
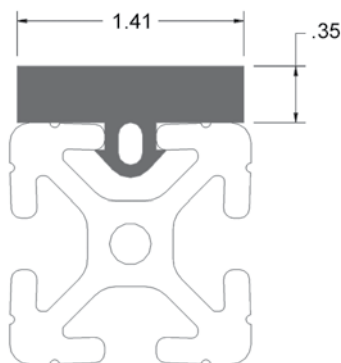
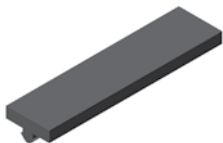


SOLD BY THE FOOT

- Presses easily into t-slot
- Protects the extrusion surface
- Black silicone rubber material

15AC8778

1.5" RUBBER PAD



SOLD BY THE FOOT

- Presses easily into t-slot
- Black EPDM rubber material
- Protects extrusion surface
- Can be used as a bumper to protect other surfaces