

Linear Proportional Convector Baseboard Heater

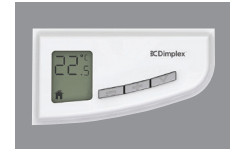
The Linear Proportional Convector Baseboard is designed with the professional electrician in mind. The unique built-in electronic thermostat accurately proportions the heat output for improved performance and reduced energy consumption.

Features

- Exclusive design for electrical distributors; 10-20% shorter than conventional baseboards with discreet styling
- Rear junction box for easy wiring
- L-slot side cover easily slides out without removing the screw
- Ships ready to install with front cover removed
- Superior shark-fin blade design for improved heat transfer, quiet operation and longer life
- Consumes up to 33% less energy by heat proportioning
- On-board digital electronic thermostat accurately controls heat output, providing stable and consistent room temperatures to within 0.5°C (0.9°F) of desired set point
- Built-in radio frequency transceiver allows wireless temperature control with optional wall mounted remote control
- System capable of multiple heater whole home connectivity and improved comfort
- Full length automatic overheat cut-out for safety

Applications

- All residential applications, commercial offices and lobbies



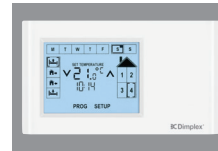
Built-in Electronic Thermostat



Wireless Control Options



Single-zone CONNEX™ Controller (DPCRWS)



Multi-zone Programmable CONNEX™ Controller (CX-MPC)



Specifications

Voltage	120V, 208V, 240V/208V, 347V, 50/60 Hz, 1-phase
Wattage	Sizes ranging from 500W to 2500W
Color	White
Finish	Epoxy/polyester powder paint.
Construction	20-gauge steel construction. Front fresh air inlet; top warm air outlet. Linear high-limit temperature control with automatic reset.
Heating Element	Nickel chromium element that is totally enclosed within a stainless steel sheath, providing superior life expectancy and resistance to rust. Shark-fin shaped aluminum fins are firmly staked in an upright position to provide directional wicking for the top discharge heat transfer.
Watt Density	Average standard watt density of 300W/ft (984W/m)
Control & Wiring	Supplied with an installed electronic proportioning thermostat for CSA-C828 compliant control; an RF transceiver for remote heat control and whole-home temperature syncing. Wireless control options available for user convenience (optional accessory). Final connections must be made on right side. Wire way to run wiring from left side.
Installation	Easily removed front caps, knock-outs on both sides of the convector, pre-stamped mounting holes and separate front panel make installation quick and easy. Large rear-entry junction boxes on both sides to simplify connections.
Warranty	10-year element warranty. 1-year warranty on complete unit. CSA certified for use in Canada and the U.S.



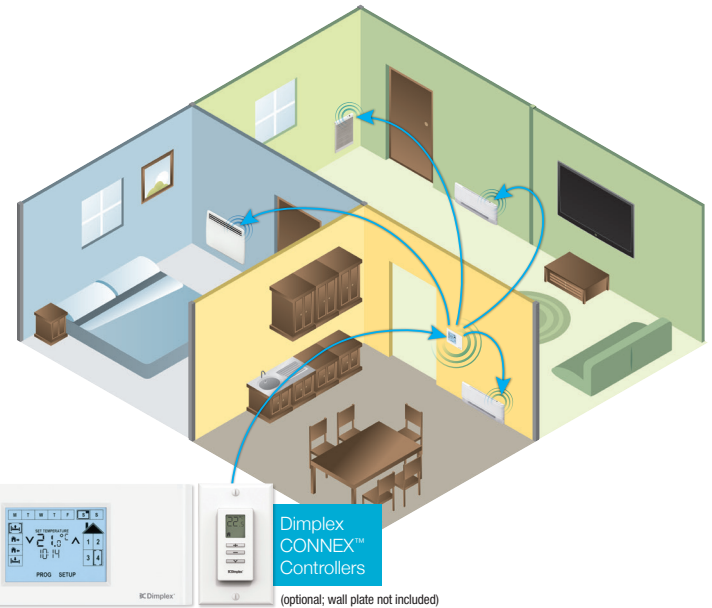
PCM Series

Ordering Guide

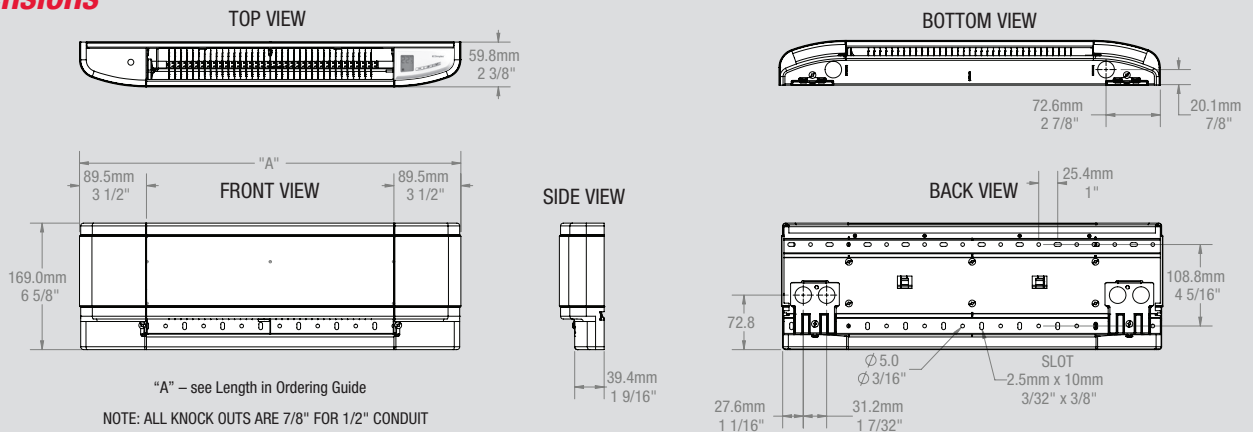
Cat. No.	Watts	Volts	BTU	Length (mm/in.)	Weight (kg/lbs.)	Cat. No.	Watts	Volts	BTU	Length (mm/in.)	Weight (kg/lbs.)
PCM2505W11	500	120	1706	635/25	2/4.4	PCM5012W31	1250/938	240/208	4265/3199	1270/50	3.7/8.2
PCM2505W21	500	208	1706	635/25	2/4.4	PCM5012W51	1250	347	4265	1270/50	3.7/8.2
PCM2505W31	500/375	240/208	1706/1280	635/25	2/4.4	PCM6015W11	1500	120	5118	1524/60	4.4/9.7
PCM2505W51	500	347	1706	635/25	2/4.4	PCM6015W21	1500	208	5118	1524/60	4.4/9.7
PCM3007W11	750	120	2559	762/30	2.3/5	PCM6015W31	1500/1125	240/208	5118/3839	1524/60	4.4/9.7
PCM3007W21	750	208	2559	762/30	2.3/5	PCM6015W51	1500	347	5118	1524/60	4.4/9.7
PCM3007W31	750/563	240/208	2559/1919	762/30	2.3/5	PCM7520W21	2000	208	6824	1905/75	5.4/11.9
PCM3007W51	750	347	2559	762/30	2.3/5	PCM7520W31	2000/1500	240/208	6824/5120	1905/75	5.4/11.9
PCM4010W11	1000	120	3412	1016/40	3.2/7.5	PCM7520W51	2000	347	6824	1905/75	5.4/11.9
PCM4010W21	1000	208	3412	1016/40	3.2/7.5	PCM9025W21	2500	208	8530	2286/90	6.4/14.1
PCM4010W31	1000/750	240/208	3412/2559	1016/40	3.2/7.5	PCM9025W31	2500/1875	240/208	8530/6398	2286/90	6.4/14.1
PCM4010W51	1000	347	3412	1016/40	3.2/7.5	PCM9025W51	2500	347	8530	2286/90	6.4/14.1
PCM5012W11	1250	120	4265	1270/50	3.7/8.2						
PCM5012W21	1250	208	4265	1270/50	3.7/8.2						

Wireless Control Options

Cat. No.	Description
DPCRWS	Single-zone CONNEX™ Controller
CX-MPC	Multi-zone Programmable CONNEX™ Controller



Dimensions



Dimplex North America Limited
1367 Industrial Road, Cambridge ON N1R 7G8
Telephone: 1-877-362-1101 | www.dimplex.com

© 2013 Dimplex North America Limited D0007, v1

Dimplexcommercial®