

Linear Proportional Convectector Baseboard

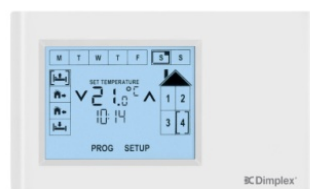
PCM Series



- | | |
|---------------------------------------|--|
| Color | - White |
| Finish | - Epoxy/polyester powder paint |
| Voltage | - 120V, 208V, 240V/208V, 347V, 50/60 Hz, 1-phase |
| Construction | - 20-gauge steel construction
- Front fresh air inlet; top warm air outlet |
| Heating Element | - Linear high-limit temperature control with automatic reset
- Stainless steel sheathed, nickel chromium element; fully enclosed, providing superior life expectancy and resistance to rust.
- Shark-fin shaped aluminum element fins are firmly staked in an upright position to provide directional wicking for the top discharge and superior heat transfer |
| Watt Density Control | - Average standard watt density of 300W/ft. (820W/m)
- Supplied with an installed electronic proportioning thermostat for CSA-C828 compliant control |
| Wall-mount Control Accessories | - RF transceiver for wireless heat control and whole-home temperature management from a single device
- Single-zone CONNEX™ Controller (optional accessory) manages all heaters in one zone
- Multi-zone Programmable CONNEX™ Controller (optional accessory) manages all heaters in up to four zones, plus 7-day, 4-event programming |
| Installation | - Easily removed front caps (L-slot requires ¼ turn on screw to remove)
- Front cover is shipped off so unit is ready to install
- Knock-outs on both sides of the unit, pre-stamped mounting holes
- Large rear-entry junction boxes on both sides for quick and easy hook up (final connection required on right side of the unit) |
| Warranty Applications | - One-year warranty on complete unit; 10-year element warranty
- All residential and commercial installations |



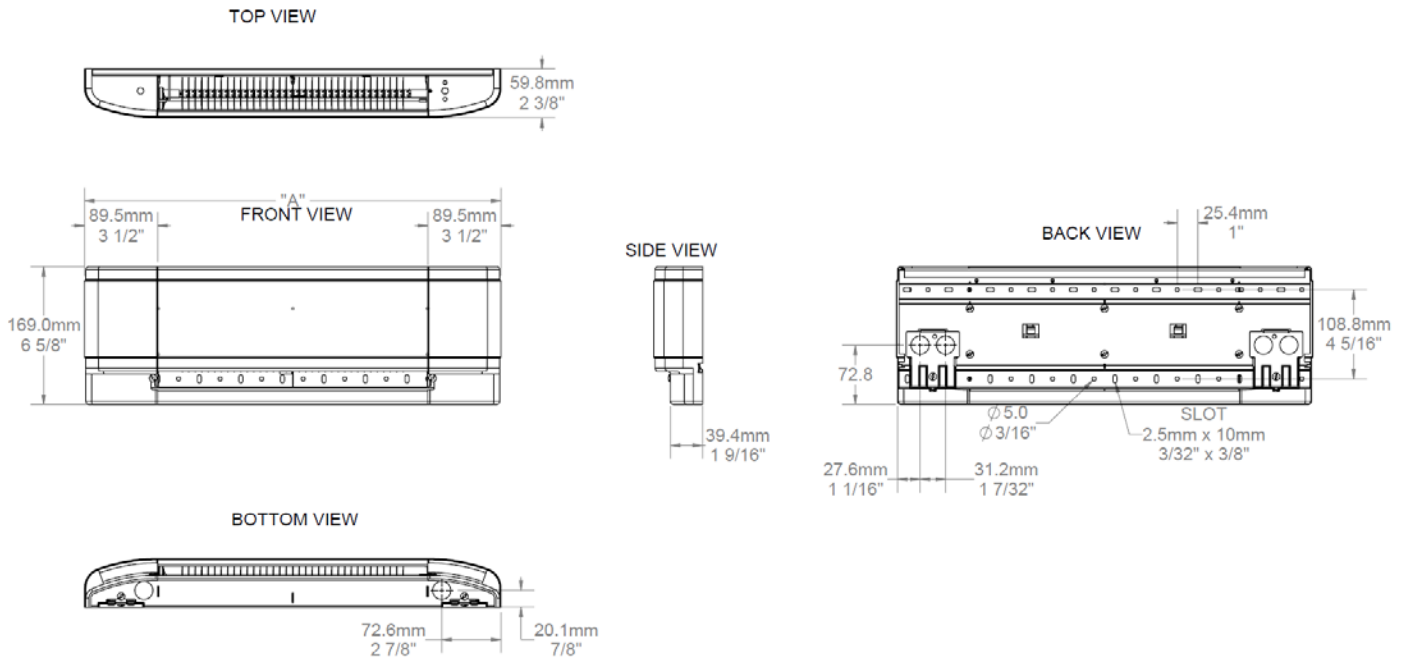
Single-zone
CONNEX™
Controller



Multi-zone
Programmable
CONNEX™
Controller

Linear Proportional Convectector Baseboard

PCM Series



Average Standard Watt Density Models 300W/ft. (984W/m)

Watts	Watts 240V/208V	Product #								Length (A)		Weight	
		120V	Qty	208V	Qty	240V/208V	Qty	347V	Qty	in.	mm	lb	kg
500	500/375	PCM2505W11		PCM2505W21		PCM2505W31		PCM2505W51		25	635	4.4	2
750	750/563	PCM3007W11		PCM3007W21		PCM3007W31		PCM3007W51		30	762	5	2.3
1000	1000/750	PCM4010W11		PCM4010W21		PCM4010W31		PCM4010W51		40	1016	7.5	3.2
1250	1250/938	PCM5012W11		PCM5012W21		PCM5012W31		PCM5012W51		50	1270	8.2	3.7
1500	1500/1125	PCM6015W11		PCM6015W21		PCM6015W31		PCM6015W51		60	1524	9.7	4.4
2000	2000/1500	—	—	PCM7520W21		PCM7520W31		PCM7520W51		75	1905	11.9	5.4
2500	2500/1875	—	—	PCM9025W21		PCM9025W31		PCM9025W51		90	2286	14.1	6.4

