

Please read and save these instructions. Read carefully before attempting to assemble, install, operate or maintain the product described. Protect yourself and others by observing all safety information. Failure to comply with instructions could result in personal injury and/or property damage! Retain instructions for future reference.

Dayton® Air Mover

Commercial/Industrial Use Description

The heavy-duty air mover is designed to quickly dry wet carpets and floors. Using the second position, allows its user to dry water damage, wet paint, etc. on ceilings. It has a three speed air control and a convenient transport handle. For ease of storage the units are equipped with a cord wrap and are stackable. cULus Listed.



(5UMP5)

Specifications

Model	Type	Style	Electrical Rating
5UMP5	3 Speed Air Control	Plastic	120V, 50/60 Hz AC 5 Amps

IMPORTANT SAFETY INSTRUCTIONS



ALWAYS WEAR EYE PROTECTION

⚠ DANGER



Never operate this unit when flammable materials or vapors are present because electrical devices produce arcs or sparks that can cause a fire or explosion.

When using an electrical appliance, basic precautions should always be followed including the following: **READ ALL INSTRUCTIONS BEFORE USING THIS APPLIANCE.**

⚠ WARNING

TO REDUCE THE RISK OF FIRE, ELECTRICAL SHOCK OR INJURY:

- Do not leave appliance when plugged in. Unplug from outlet when not in use and before servicing. Connect to a properly grounded outlet only. See Grounding Instructions.
- Do not expose to water or rain – store indoors.
- Do not allow to be used as a toy. Close attention is necessary when used by or



- near children.
- Use only as described in this manual. Use only manufacturer's recommended attachments.



- Do not operate Air Mover with damaged cord or plug. Discard Air Mover or return to service center for examination and/or

repair. If appliance is not working as it should, has been dropped, damaged, left outdoors or dropped into water, contact service center for assistance.

- Do Not: pull or carry by cord, use cord as a handle, close door on cord or pull cord around sharp edges or corners. Do not run appliance over cord. Keep cord away from heated surfaces.
- Do not unplug by pulling on cord. To unplug, grasp the plug; not the cord.
- Do not handle plug or appliance with wet hands.
- Do not put any object into openings. Do not use with any opening blocked; keep free of dust, lint, hair and anything that may reduce air flow.
- Keep hair, loose clothing, fingers and all parts of body away from openings and moving parts.
- Turn off all controls before unplugging.
- WARNING!** To avoid injury

- or property damage: do not use around explosive liquids or vapors, as electrical devices produce arcs or sparks, which can cause a fire or explosion.
- Do not store or use near flammable or combustible liquids such as gasoline, toxic, carcinogenic, combustible or hazardous materials such as asbestos, arsenic, barium, beryllium, lead, pesticides or other health endangering materials.
- Do not run cord under carpeting. Do not cover cord with throw rugs, runners, or similar coverings. Arrange cord away from traffic area and where it will not be tripped over.
- Operation of this unit can result in foreign objects being blown into eyes, which can result in eye damage. Always wear safety goggles when operating Air Mover.
- STAY ALERT,** Watch what you are doing and use common sense.
- Use only on GFCI Protected Receptacles.
- Do not use an extension cord with this Air Mover.
- Do not use the transport handle to lift Air Mover. Lift unit by top carry handle.
- Do not use the transport handle and wheels to go up or down stairs.

ENGLISH

ESPAÑOL

FRANÇAIS

Dayton® Air Mover

READ AND SAVE THESE INSTRUCTIONS

⚠ WARNING

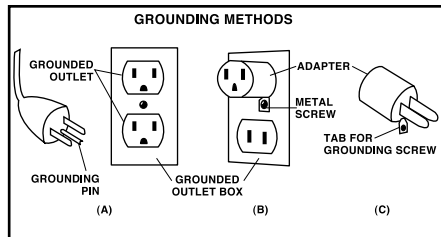
DO NOT LEAVE AIR MOVER UNATTENDED WHEN IT IS PLUGGED IN AND/OR OPERATING. UNPLUG UNIT WHEN NOT IN USE.

GROUNDING INSTRUCTIONS

This appliance must be grounded. If it should malfunction or breakdown, grounding provides a path of least resistance for electric current to reduce the risk of electric shock. This appliance is equipped with a cord having an equipment-grounding conductor and grounding plug. The plug must be inserted into an appropriate outlet that is properly installed and grounded in accordance with all local codes and ordinances.

⚠ WARNING

IMPROPER CONNECTION OF THE EQUIPMENT-GROUNDING CONDUCTOR CAN RESULT IN A RISK OF ELECTRIC SHOCK. CHECK WITH A QUALIFIED ELECTRICIAN OR SERVICE PERSON IF YOU ARE IN DOUBT AS TO WHETHER THE OUTLET IS PROPERLY GROUNDED. DO NOT MODIFY THE PLUG PROVIDED WITH THE APPLIANCE – IF IT WILL NOT FIT THE OUTLET, HAVE A PROPER OUTLET INSTALLED BY A QUALIFIED ELECTRICIAN.



This appliance is for use on a nominal 120-volt circuit, and has a grounded plug that looks like the plug illustrated in **sketch A**. A temporary adapter that looks like the adapter illustrated in **sketches B and C** may be used to connect this plug to a 2-pole receptacle as shown in **sketch B** if a properly grounded outlet is not available. The temporary adapter should be used only until a properly grounded outlet (**sketch A**) can be installed by a qualified electrician. The green colored rigid ear, lug or the like extending from the adapter must be connected to a permanent ground such as a properly grounded outlet box cover. Whenever

the adapter is used, it must be held in place by a metal screw.

IN CANADA, THE USE OF A TEMPORARY ADAPTER IS NOT PERMITTED BY THE CANADIAN ELECTRICAL CODE. Make sure that the appliance is connected to an outlet having the same configuration as the plug. No adapter should be used with this appliance.

⚠ WARNING

IF THE CORD IS DAMAGED, IT MUST BE REPLACED BY A SPECIAL CORD OR ASSEMBLY AVAILABLE FROM THE MANUFACTURER OR HIS AUTHORIZED SERVICE AGENT.

⚠ WARNING

TO REDUCE THE RISK OF FIRE OR ELECTRIC SHOCK, DO NOT USE THIS AIR MOVER WITH ANY SOLID-STATE SPEED CONTROL DEVICE.

Follow these instructions to operate your air mover:

UNPACKING AND ASSEMBLY

1. Unpack air mover from carton. Lift the unit by using the top carry handle only.
2. With rear of unit facing you, take transport handle and position it with flat side facing rear of unit (**Figure 1**).
3. Line up 4 holes in transport handle with four holes in rear of unit (**Figure 2**).
4. Secure transport handle to unit with four screws provided (**Figure 3**).

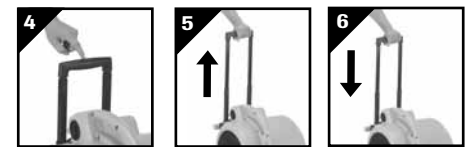


Operation

1. For easy mobility, your unit comes with an adjustable transport handle and wheels. Always make sure the handle is locked into place before using. Do not use transport handle and wheels when going up or down stairs.
2. To change transport handle to the highest height, press button on top of transport handle (**Figure 4**) and pull upwards (**Figure 5**) until the three handle columns are visible and you hear a click.
3. To completely lower handle, simply press button and push downwards (**Figure 6**).
4. To use your unit, place the unit in the area most suitable for your application. Several factors need to be considered; the unit must be placed close enough to a AC outlet to be plugged in, there must be a minimum clearance of two feet from either side of the unit to allow for proper air flow, and the unit should not be placed where it can become a tripping or safety hazard.
5. Place unit in the proper operating position for you or application. Refer to the Operating Positions section in

this manual.

6. Plug unit into the wall.
7. Turn unit on and select air speed by turning the switch, located near the top handle, counter clockwise.
8. When your drying job is completed, turn the unit off and follow the directions for Storage in this manual.



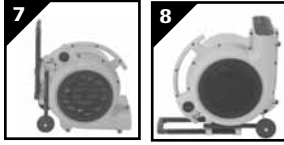
Operating Positions

The air mover may be set in one of two operating positions. Pick the position best suited for your application.

1. Use the down position (**Figure 7**) for applications such as; drying wet floors, shampooed carpets, etc. To use this position simply place unit on its base.
2. Use the up position for applications such as; drying paint on the ceiling. To use this position, make sure the transport handle is

Model 5UMP5

secured at the lowest height. Lay the unit on the back side with the front grill pointing towards the ceiling (Figure 8).



Maintenance CLEANING

WARNING
TO REDUCE THE RISK OF INJURY FROM THE AIR MOVER ACCIDENTALLY STARTING, UNPLUG POWER CORD BEFORE CLEANING.

The outside of the unit may be cleaned with a damp cloth to remove any dust or residue.

USER SERVICING INSTRUCTIONS

WARNING
BE SURE TO DISCONNECT POWER SUPPLY BEFORE ATTEMPTING

TO SERVICE OR REMOVE ANY COMPONENTS.

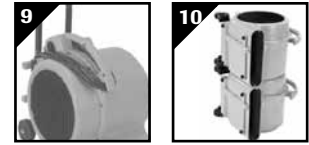
Do not attempt to service your air mover beyond that described in the Operating Instructions and Parts Manual.

LUBRICATION

No lubrication is necessary as the motor is equipped with lifetime lubricated bearings.

STORAGE

1. Before storing your air mover it should be cleaned. For cleaning instructions, refer to the Cleaning section in this manual.
2. Wind the power cord around the carry handle on the top of the unit to keep it untangled (Figure 9).
3. To save space, secure the transport handle at the lowest height.
4. If you have more than one unit to store they may be stored by stacking them. Prepare the units for storage and secure the transport handle at the lowest height. Stack the units by placing them on their sides making sure the indented side is facing down (Figure 10). Do not stack the units more than 4 high. Never operate the unit while it is on its side or stacked. **THE AIR MOVER SHOULD BE STORED INDOORS.**



WARNING
IF ANY OF THE MOTOR HOUSING PARTS SHOULD BECOME DETACHED OR BROKEN, EXPOSING THE MOTOR OR ANY OTHER ELECTRICAL COMPONENTS, OPERATION SHOULD BE DISCONTINUED IMMEDIATELY TO AVOID PERSONAL INJURY OR FURTHER DAMAGE TO THE UNIT. REPAIRS SHOULD BE MADE BEFORE REUSING THE UNIT.



ENGLISH

LIMITED WARRANTY

DAYTON ONE-YEAR LIMITED WARRANTY. DAYTON® MODEL COVERED IN THIS MANUAL, IS WARRANTED BY DAYTON ELECTRIC MFG. CO. (DAYTON) TO THE ORIGINAL USER AGAINST DEFECTS IN WORKMANSHIP OR MATERIALS UNDER NORMAL USE FOR ONE YEAR AFTER DATE OF PURCHASE. ANY PART WHICH IS DETERMINED TO BE DEFECTIVE IN MATERIAL OR WORKMANSHIP AND RETURNED TO AN AUTHORIZED SERVICE LOCATION, AS DAYTON DESIGNATES, SHIPPING COSTS PREPAID, WILL BE, AS THE EXCLUSIVE REMEDY, REPAIRED OR REPLACED AT DAYTON'S OPTION. FOR LIMITED WARRANTY CLAIM PROCEDURES, SEE "PROMPT DISPOSITION" BELOW. THIS LIMITED WARRANTY GIVES PURCHASERS SPECIFIC LEGAL RIGHTS WHICH VARY FROM JURISDICTION TO JURISDICTION.

LIMITATION OF LIABILITY. TO THE EXTENT ALLOWABLE UNDER APPLICABLE LAW, DAYTON'S LIABILITY FOR CONSEQUENTIAL AND INCIDENTAL DAMAGES IS EXPRESSLY DISCLAIMED. DAYTON'S LIABILITY IN ALL EVENTS IS LIMITED TO AND SHALL NOT EXCEED THE PURCHASE PRICE PAID.

WARRANTY DISCLAIMER. A DILIGENT EFFORT HAS BEEN MADE TO PROVIDE PRODUCT INFORMATION AND ILLUSTRATE THE PRODUCTS IN THIS LITERATURE ACCURATELY; HOWEVER, SUCH INFORMATION AND ILLUSTRATIONS ARE FOR THE SOLE PURPOSE OF IDENTIFICATION, AND DO NOT EXPRESS OR IMPLY A WARRANTY THAT THE PRODUCTS ARE MERCHANTABLE, OR FIT FOR A PARTICULAR PURPOSE, OR THAT THE PRODUCTS WILL NECESSARILY CONFORM TO THE ILLUSTRATIONS OR DESCRIPTIONS. EXCEPT AS PROVIDED BELOW, NO WARRANTY OR AFFIRMATION OF FACT, EXPRESSED OR IMPLIED, OTHER THAN AS STATED IN THE "LIMITED WARRANTY" ABOVE IS MADE OR AUTHORIZED BY DAYTON.

Technical Advice and Recommendations, Disclaimer. Notwithstanding any past practice or dealings or trade custom, sales shall not include the furnishing of technical advice or assistance or system design. Dayton assumes no obligations or liability on account of any unauthorized recommendations, opinions or advice as to the choice, installation or use of products.

Product Suitability. Many jurisdictions have codes and regulations governing sales, construction, installation, and/or use of products for certain purposes, which may vary from those in neighboring areas. While attempts are made to assure that Dayton products comply with such codes, Dayton cannot guarantee compliance, and cannot be responsible for how the product is installed or used. Before purchase and use of a product, review the product applications, and all applicable national and local codes and regulations, and be sure that the product, installation, and use will comply with them.

Certain aspects of disclaimers are not applicable to consumer products; e.g., (a) some jurisdictions do not allow the exclusion or limitation of incidental or consequential damages, so the above limitation or exclusion may not apply to you; (b) also, some jurisdictions do not allow a limitation on how long an implied warranty lasts, consequently the above limitation may not apply to you; and (c) by law, during the period of this Limited Warranty, any implied warranties of implied merchantability or fitness for a particular purpose applicable to consumer products purchased by consumers, may not be excluded or otherwise disclaimed.

Prompt Disposition. A good faith effort will be made for prompt correction or other adjustment with respect to any product which proves to be defective within limited warranty. For any product believed to be defective within limited warranty, first write or call dealer from whom the product was purchased. Dealer will give additional directions. If unable to resolve satisfactorily, write to Dayton at address below, giving dealer's name, address, date, and number of dealer's invoice, and describing the nature of the defect. Title and risk of loss pass to buyer on delivery to common carrier. If product was damaged in transit to you, file claim with carrier.

Manufactured for Dayton Electric Mfg. Co., 100 Grainger Parkway, Lake Forest, Illinois 60045-5201 U.S.A.



For Repair Parts, call 1-800-323-0620

24 hours a day – 365 days a year

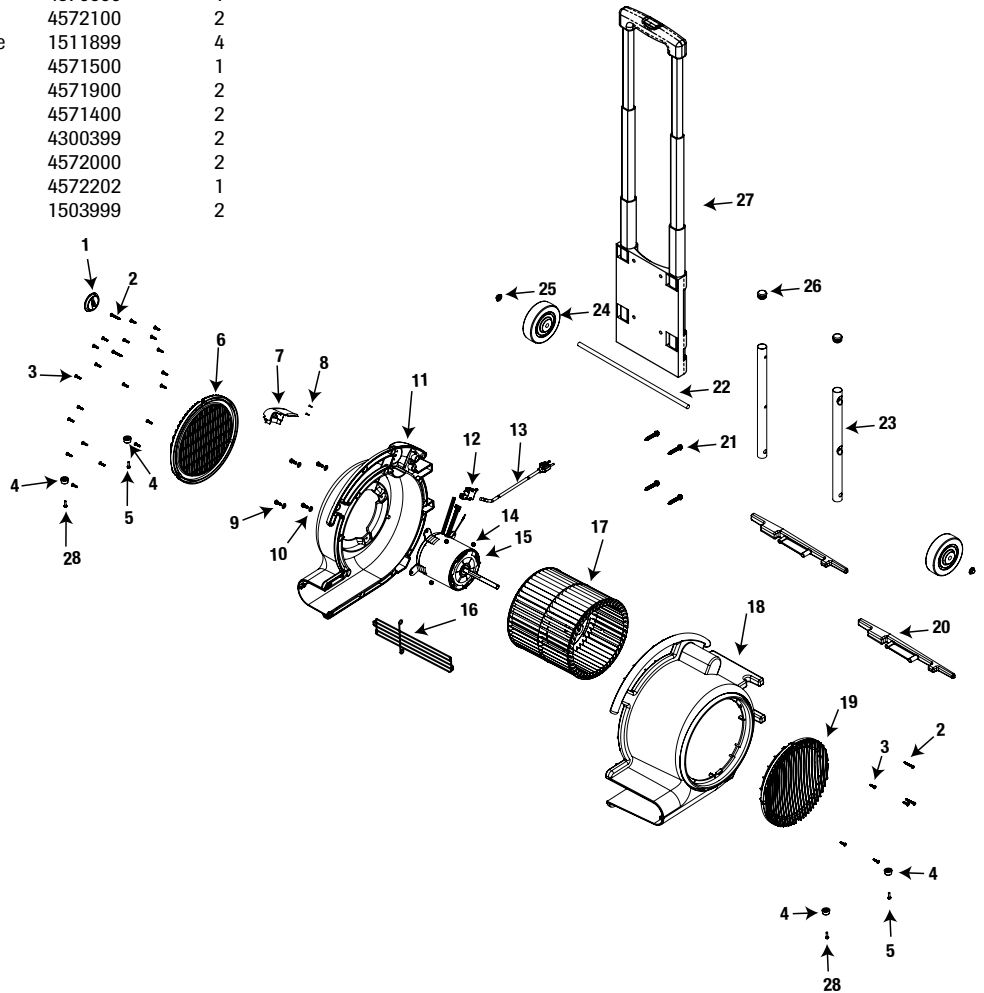
Please provide following information:

- Model number
- Serial number (if any)
- Part description and number as shown in parts list

Repair Parts List

Ref. No.	Description	Part No.	Qty.
1	Control Knob	4570901	1
2	Screw #10 x 1½" A or AB PH	1504199	4
3	Screw #10 x ¾" Trilobe, Twin Lead	1517699	24
4	Recess Bumper	4571000	4
5	Screw #10 x 1½" Type A or AB	1504299	2
6	Intake Grill - Motor Side	4570500	1
7	Wire Way Cover	4570403	1
8	Screw #5 x ½" Ph Flat Hd Type A/AB	1518099	2
9	Screw ¼" - 20 x ¾" Hex Hd	0902999	4
10	¼" Flat Washer - 1" OD	0705299	4
11	Motor Housing	1944794	1
12	Rotary Switch 16A	1944795	1
13	Cord	1944799	1
14	¼" - 20 Hex Hd Insert Nut	1303499	4
15	Motor	1944800	1
16	Wire Exhaust Grill	4571300	1
17	11" Blower Wheel	1944802	1
18	Motor Cover	1944801	1
19	Intake Grill	4570600	1
20	Handle Anchor	4572100	2
21	Screw ¼" x 1½" SLT HH AB Washer Base	1511899	4
22	Axle	4571500	1
23	Support Tube	4571900	2
24	4" Wheel	4571400	2
25	Push Nut	4300399	2
26	Tubing Plug	4572000	2
27	Telescopic Handle	4572202	1
28	Screw #10 x ¾" SL Hx	1503999	2

Do not attempt to service your Dayton Air Mover beyond that described in the Operating Instructions and Parts Manual.



ENGLISH