

For Repair Parts, call 1-800-323-0620

24 hours a day – 365 days a year

Please provide following information:

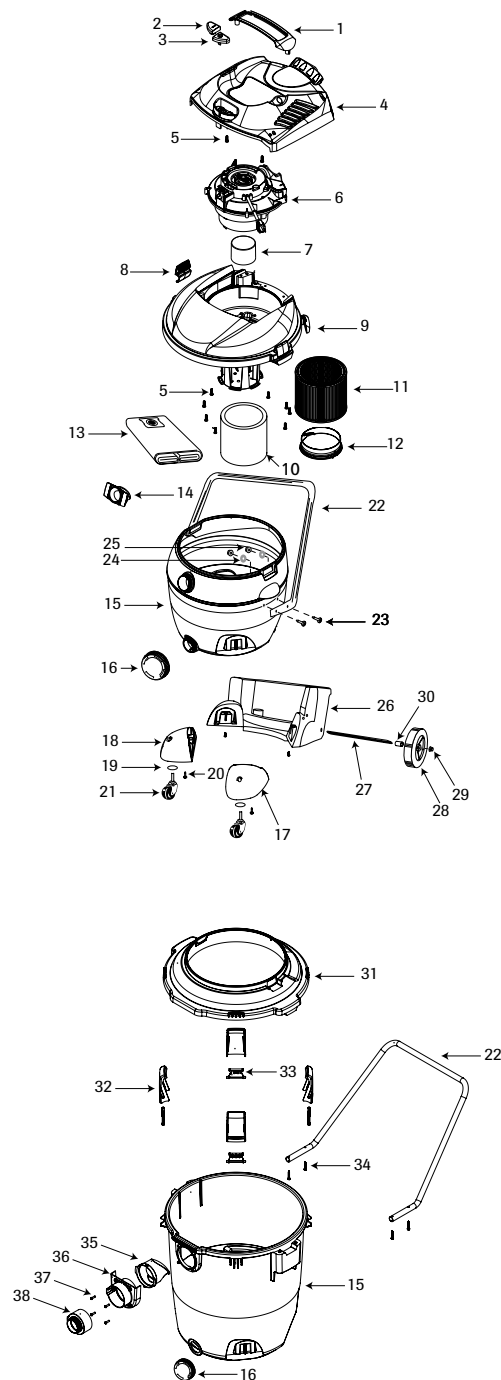
- Model number
- Serial number
- Part description and number as shown in parts list

Repair Parts List

Ref. #	Description	Part No.	Qty
1	Handle	3751001	1
2	Switch Button - I	7414200	1
3	Switch Button - O	7414210	1
4	Motor Cover Assembly (incl. 1,2,3)	3743043	1
5	Screw 10 x 3/4 Trilobe Twin Lead	1517699	12
6	= Power Unit Assembly (1UG91C) (2RPD8)	1UND3 8135597	1 1
7	Float	3545000	1
8	Lid Latch	7444500	2
9	Lid Cage and Latch Assembly (1UG91C) (2RPD8)	1945065 1945067	1 1
10	Foam Sleeve	5X879A	1
11	Cartridge Filter	2W435	1
12	Filter Retainer	3008000	1
13	Collection Filter Bag (1UG91C)	1UG85	1
14	Inlet Deflector	7413120	1
15	Tank Assembly (1UG91C) (2RPD8)	7365697 1099897	1 1
16	Drain Cover	7446800	1
17	Front Caster Foot A	7431320	1
18	Front Caster Foot B	7431370	1
19	Flatwasher (1UG91C)	0704399	2
20	Screw 10 x 3/4 SL Hex Head	1503999	4
21	Caster (1UG91C) (2RPD8)	6773900 6775200	2 2
22	Carriage Handle (1UG91C) (2RPD8)	2088000 8833800	1 1
23	Screw 1/4" - 20 x 3/4" Slotted Thread (1UG91C)	0810899	4
24	Sealing Washer (1UG91C)	0701299	4
25	1/4" - 20 Locknut - Heavy Hex HD (1UG91C)	1304599	4
26	Rear Dolly/Basket	7417350	1
27	Axle (1UG91C) (2RPD8)	2442100 2442700	1 1
28	Rear Wheel, 8" (20.32cm) (1UG91C) 10" (25.4cm) (2RPD8)	2425010 2421000	2 2
29	Cap Nut	4300299	2
30	Spacer (2RPD8)	1101999	2
31	Adapter 22"-16" (55.3cm x 40.6cm) (2RPD8)	8831600	1
32	Handle, tank latch (2RPD8)	8832300	4
33	Hinge, tank latch (2RPD8)	8832200	4
34	Screw Lg slot washer Hd (2RPD8)	1512199	4
35	Deflector (2RPD8)	8832000	1
36	Tank inlet 3.5" (8.9cm) (2RPD8)	8832100	1
37	Screw #10 Trilobe (2RPD8)	1517799	4
38	Inlet reducer 3.5"-2.5" (8.9cm-6.4cm) (2RPD8)	8831900	1
Δ	8 ft. x 2 1/2" Hose (2.4m x 6.35cm)	22212B	1
Δ	2 1/2" (6.35cm) dia. Extension Wands	0150400	2
Δ	14" (35.5cm) Wet/Dry Floor Nozzle	0213696	1
Δ	8" (20.32cm) Utility Nozzle	5281500	1
Δ	Crevice Tool	0160400	1
Δ	Concentrator Nozzle	0890401	1
Δ	Elbow Grip	0223000	1
Δ	Hose Holder	3132630	1

(=) Replacement parts not available for power unit.
 Δ Not Shown

Do not attempt to service your Dayton vacuum beyond that described in the Operating Instructions and Parts Manual. These models have no user serviceable parts.



ENGLISH

2RPD8



For Repair Parts, call 1-800-323-0620

24 hours a day – 365 days a year

Please provide following information:

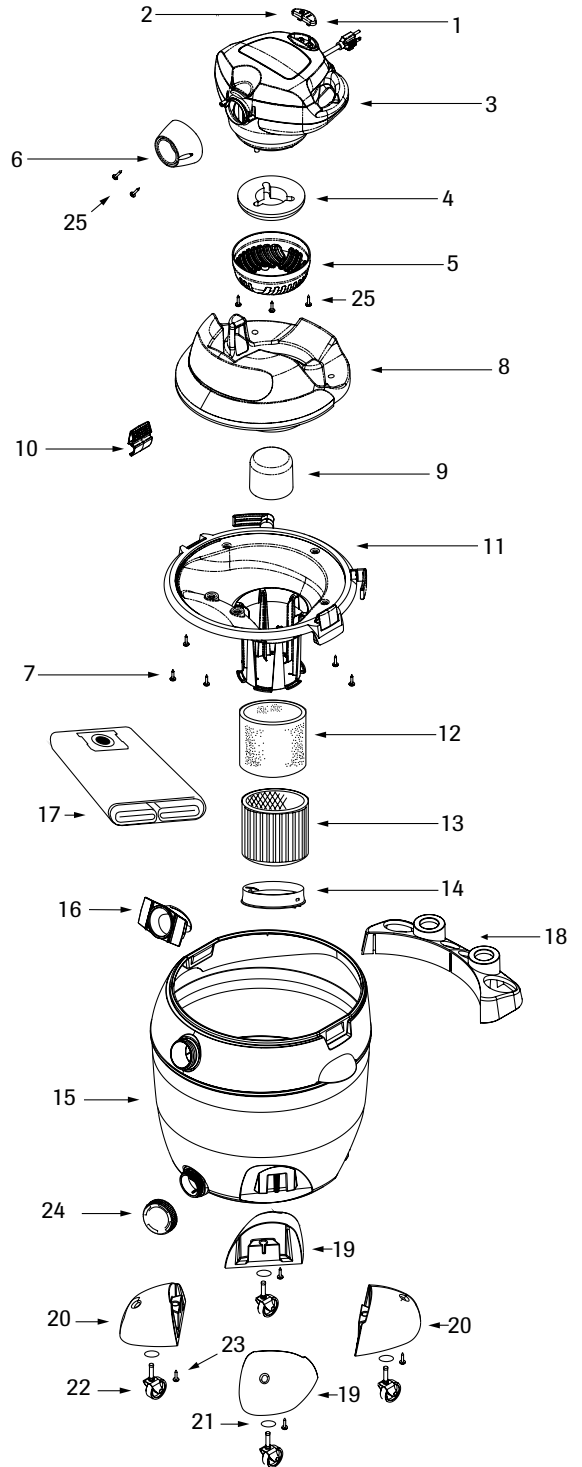
- Model number
- Serial number
- Part description and number as shown in parts list

Repair Parts List

Ref. #	Description	Part No.	Qty
1	Switch Button - I	7414200	1
2	Switch Button - O	7414210	1
3	= Power Unit (includes items 1-6+25)	1UNE1	1
4	Intake Screen	8541205	1
5	Inlet Shield	7442301	1
6	Ferrule	7350400	1
7	Screw 10 x 3/4 Trilobe Twin Lead	1517699	5
8	Tank Cover	1944160	1
9	Float	7411200	1
10	Lid Latch	7444500	2
11	Lid Cage & Latch Assembly	7350630	1
12	Foam Sleeve	5X879A	1
13	Cartridge Filter	2W435	1
14	Filter Retainer	3008000	1
15	Tank Assembly	7363497	1
16	Inlet Deflector	7413120	1
17	Collection Filter Bag	1UG85	1
18	Tool Holder	8411300	1
19	Casterfoot A	7431320	2
20	Casterfoot B	7431370	2
21	Flatwasher	0704399	4
22	Caster	6773900	4
23	Screw 10 x 3/4 SL Hex Head	1503999	4
24	Drain Cover	7446800	1
25	Screw #10 Trilobe THD Roll 48	1517799	5
Δ	8 ft. x 2½" Hose (2.4m x 6.35cm)	2Z212B	1
Δ	2½" (6.35cm) dia. Extension Wands	0150400	2
Δ	14" (35.5cm) Wet/Dry Floor Nozzle	0213696	1
Δ	8" (20.32cm) Utility Nozzle	5281500	1
Δ	Crevice Tool	0160400	1
Δ	Concentrator Nozzle	0890401	1
Δ	Elbow Grip	0223000	1
Δ	Hose Holder	3132630	1

(=) Replacement parts not available for power unit.
 Δ Not Shown

Do not attempt to service your Dayton vacuum beyond that described in the Operating Instructions and Parts Manual. These models have no user serviceable parts.



ENGLISH

For Repair Parts, call 1-800-323-0620

24 hours a day – 365 days a year

Please provide following information:

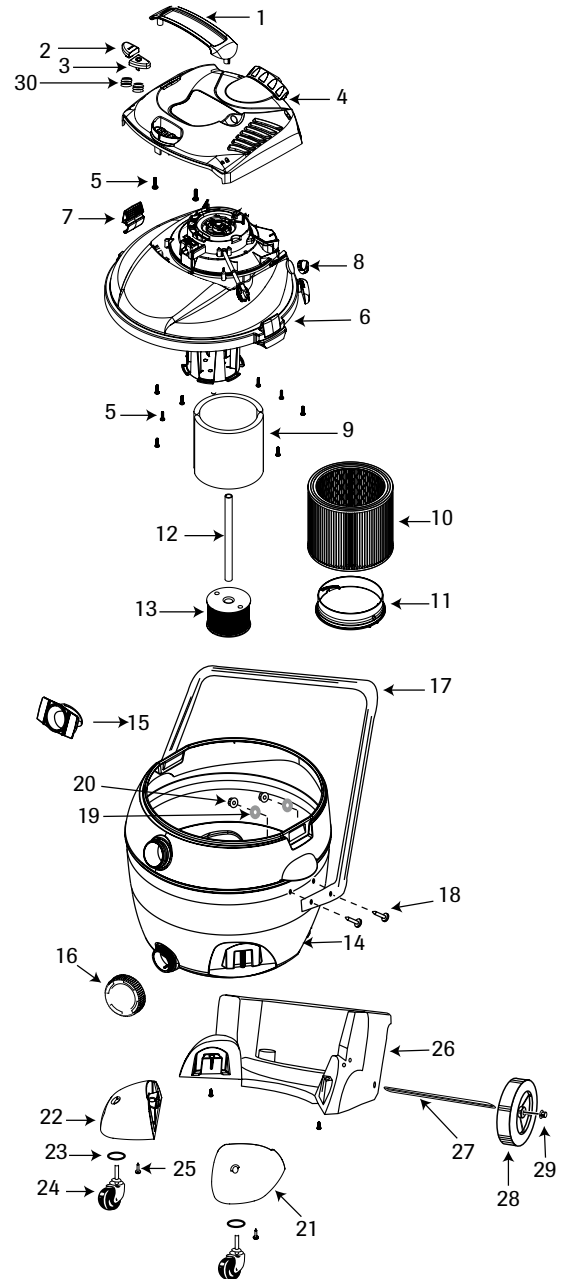
- Model number
- Serial number
- Part description and number as shown in parts list

Repair Parts List

Ref. #	Description	Part No.	Qty
1	Handle	3751001	1
2	Switch Button - I	7414200	1
3	Switch Button - O	7414210	1
4	Motor Cover (Incls 1)	3743046	1
5	Screw 10 x 3/4 Trilobe Twin Lead	1517699	10
6	=Power Unit Assembly	1944261	1
7	Lid Latch	7444500	2
8	Outlet Fitting Cap	1945023	1
9	Foam Sleeve	5X879A	1
10	Cartridge Filter	2W435	1
11	Filter Retainer	3008000	1
12	Pickup Tube	2723107	1
13	Pickup Cage Assembly	7412250	1
14	Tank Assembly	7367297	1
15	Inlet Deflector	7413120	1
16	Drain Cover	7446800	1
17	Carriage Handle	2088000	1
18	Screw 1/4" - 20 x 3/4" Slotted Thread	0810899	4
19	Sealing Washer	0701299	4
20	1/4" - 20 Locknut-Heavy Hex Hd	1304599	4
21	Casterfoot A	7431320	1
22	Casterfoot B	7431370	1
23	Flatwasher	0704399	2
24	Caster	6773900	2
25	Screw 10 x 3/4" Hex Head	1503999	4
26	Rear Dolly Basket	7417350	1
27	Axle	2442100	1
28	Rear Wheel, 8" (20.32cm)	2425010	2
29	Cap Nut	4300299	2
30	Spring	2802899	2
Δ	8' x 2 1/2" Hose (2.4m x 6.35cm)	2Z212B	1
Δ	2 1/2" (6.35cm) dia. Extension Wands	0150400	2
Δ	14" (35.5cm) Wet/Dry Floor Nozzle	0213696	1
Δ	8" (20.32cm) Utility Nozzle	5281500	1
Δ	Crevice Tool	0160400	1
Δ	Concentrator Nozzle	0890401	1
Δ	Elbow Grip	0223004	1
Δ	Hose Holder	3132630	1
‡	Collection Filter Bag	1UG85	1
‡	Ultra Duty Cartridge Filter	4TB94	1
‡	HEPA Cartridge Filter	4TB93	1

- (‡) Optional.
- (=) Replacement parts not available for power unit.
- (Δ) Not shown.

Do not attempt to service your Dayton vacuum beyond that described in the Operating Instructions and Parts Manual. These models have no user serviceable parts.



E
N
G
L
I
S
H