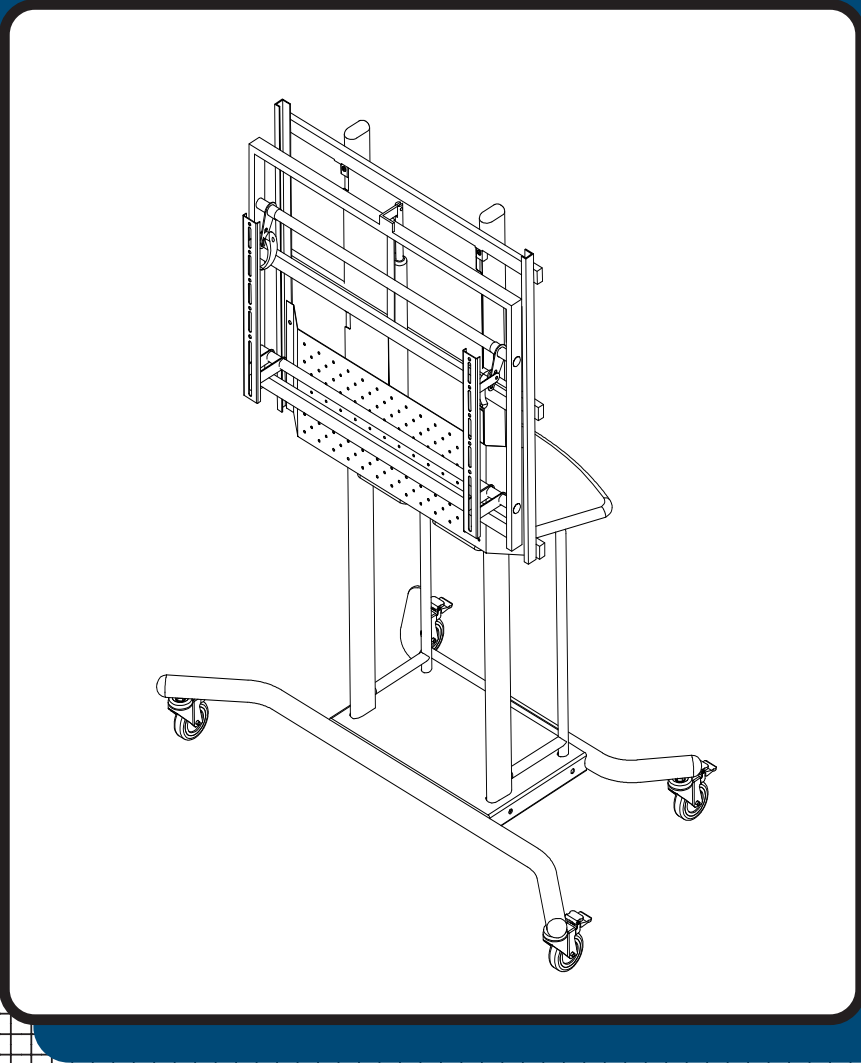


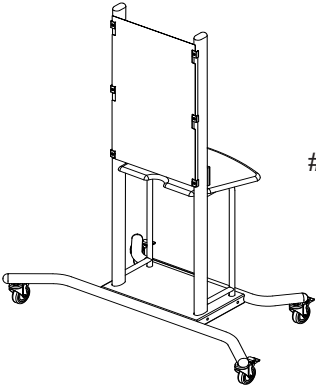
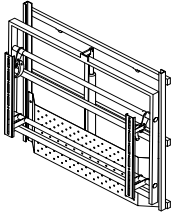


# iTeach Flat Panel Cart



## Assembly Instructions

# iTeach Flat Panel Cart

Part	Drawing	Description	Qty	Part	Drawing	Description	Qty
P-1		# 27624	1 EA				
P-2		# 27678	1 EA				

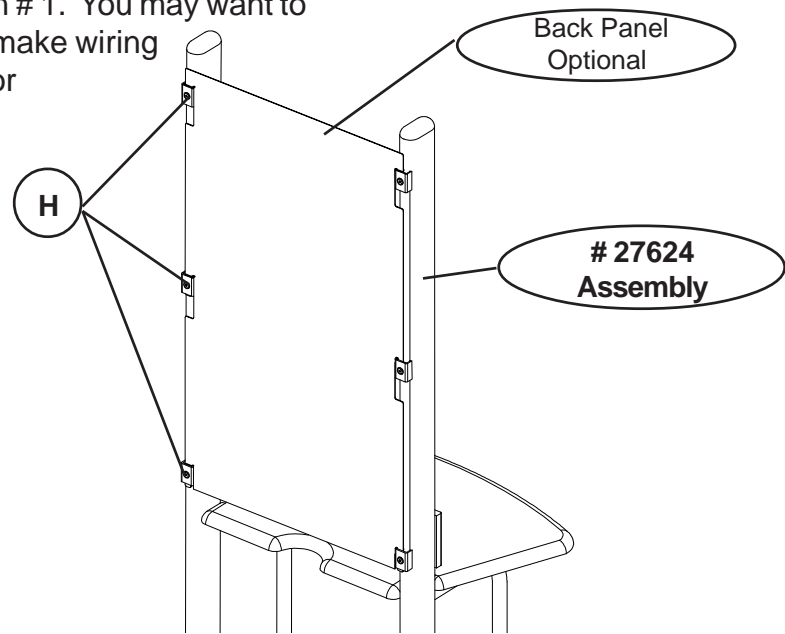
**Missing Parts or UPS Damaged Parts**  
 For Your Convenience you can  
 EMAIL us at  
**[support@moorecoinc.com](mailto:support@moorecoinc.com)**  
 24HOURS 7 DAYS A WEEK

***Should you require assistance during assembly,  
 please call our Customer Service Department  
 Monday - Friday 8 a.m. - 5 p.m.  
 Central Standard Time 1-800-749-2258***

Do not use unless all screws are tight. At least every six months, check all screws to be sure they are tight. If parts are missing, broken, damaged, or worn, stop use of the product until repairs are made by your dealer using factory authorized parts.

1.) Loosen the six Back Panel Screws (H) from Step #5 of the Elevation Mobile Stand (P1) assembly instructions. See Illustration # 1. You may want to remove the Back Panel to make wiring easier or leave it in place for wire security.

Illustration # 1



2.) Take the the Electric TV Wall Mount (P2) and hook the six mount tabs that are on the back frame into the six brackets on the Cart (P1). See Illustration # 2.

Illustration # 2

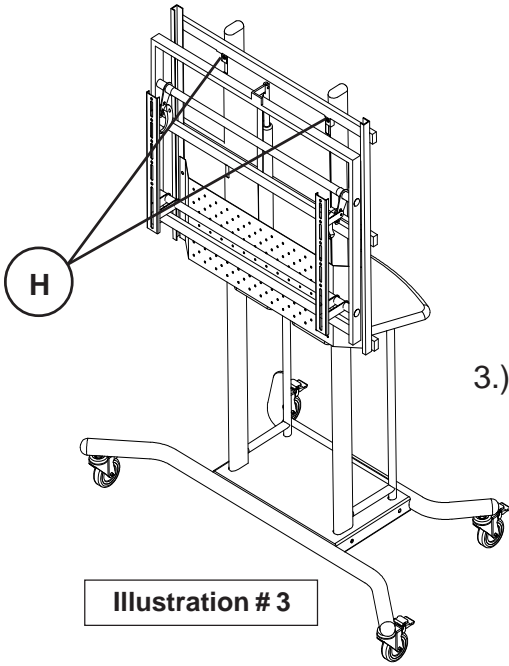
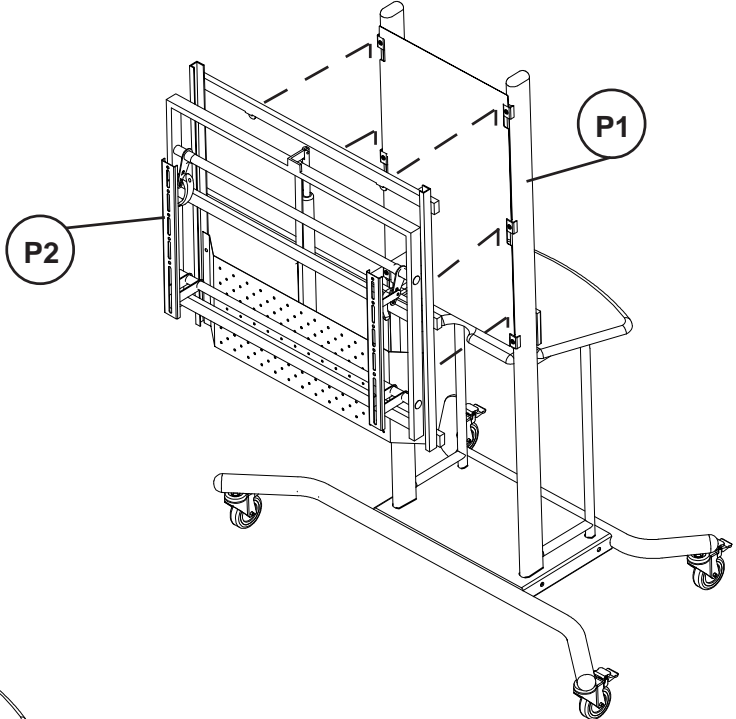


Illustration # 3

3.) Retighten the six Back Panel Screws (H) to secure the two assemblies together.