



Aspira™ Modular Desk System

Durable. Made to last.



Aspira™ Modular Desk System

A Revelation in Reconfiguration

Whether your office stylings are trendy, traditional or transitional, Aspira™ is the answer to fully integrated office environments that work. Neutral colors provide a pleasing addition to any office setting. Each piece is ergonomically designed for comfort. Intelligent design means Aspira™ furniture pieces can be arranged and reconfigured easily to create a variety of highly functional work spaces and meeting places.

Aspira™ furniture pieces are constructed from a combination of foam filled, blow molded high density polyethylene with steel reinforcement. In addition to being as good looking as any metal finish, our furniture is dent and scratch proof, and won't rust. And...because it's washable, it stays clean!



Granite Inlay on Black

Granite Inlay on Platinum

Granite Inlay on Charcoal



Gray Inlay on Black

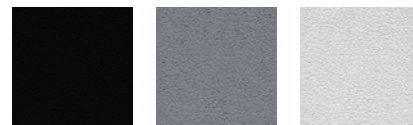
Gray Inlay on Platinum

Gray Inlay on Charcoal

Adaptability

Each Aspira™ module offers several distinctly different opportunities to customize your work area. By simply taking advantage of the reversible inlay, you can switch from the elevated style of a rich granite finish to the streamlined tech-like gray finish. It only takes a moment for an entirely different office appearance.

Colors



Black

Charcoal

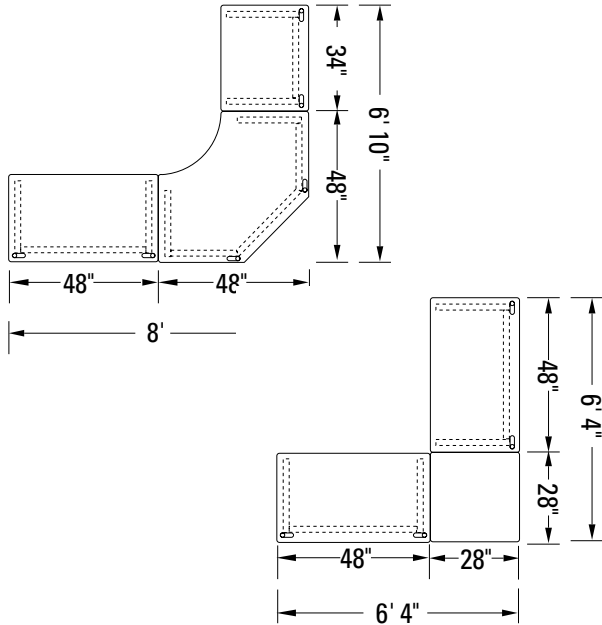
Platinum

System

34", 48" and 60" Desks

- Cable management and integrated grommets included with each desk
- Accessory sockets can hold optional Aspira Hutch
- Reversible inlay provides smooth writing surface

Typical Schematics



48" Desk in Charcoal

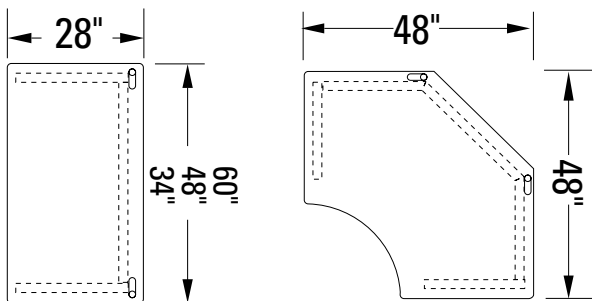
Specifications

Grainger	Iceberg	Description	Size	Color
16W997	92201	34" Desk	34" W x 28" D x 30" H	Black
16W998	92202	34" Desk	34" W x 28" D x 30" H	Charcoal
16W999	92203	34" Desk	34" W x 28" D x 30" H	Platinum
16X001	92301	48" Desk	48" W x 28" D x 30" H	Black
16X002	92302	48" Desk	48" W x 28" D x 30" H	Charcoal
16X003	92303	48" Desk	48" W x 28" D x 30" H	Platinum
16X004	92401	60" Desk	60" W x 28" D x 30" H	Black
16X005	92402	60" Desk	60" W x 28" D x 30" H	Charcoal
16X006	92403	60" Desk	60" W x 28" D x 30" H	Platinum

Freestanding Corner Unit

- Tough construction
- Large work surface deep enough to hold a monitor at a comfortable viewing distance

Component Details



Freestanding Corner Unit in Charcoal

Specifications

Grainger	Iceberg	Description	Size	Color
*	94151	Freestanding Corner Unit	65" W x 39" D x 30" H	Black
16X026	94152	Freestanding Corner Unit	65" W x 39" D x 30" H	Charcoal
16X027	94153	Freestanding Corner Unit	65" W x 39" D x 30" H	Platinum

* Items available through Grainger Sourcing only.



Accessories

Hutch

- Deep, user-friendly, contoured edge storage solution
- Door flips up allowing easy access

Mobile Underdesk Pedestals

- Two styles available, 2 file drawers style or 3 drawer style (2 box drawers with 1 file drawer)
- Fits under any 30" high desk
- Accommodates letter, legal, and A4 folders

Printer Stand

- Large printer surface accommodates most office printers
- Supports up to 100 lbs.
- Two wire shelves for paper and supplies

Square Corner Connector

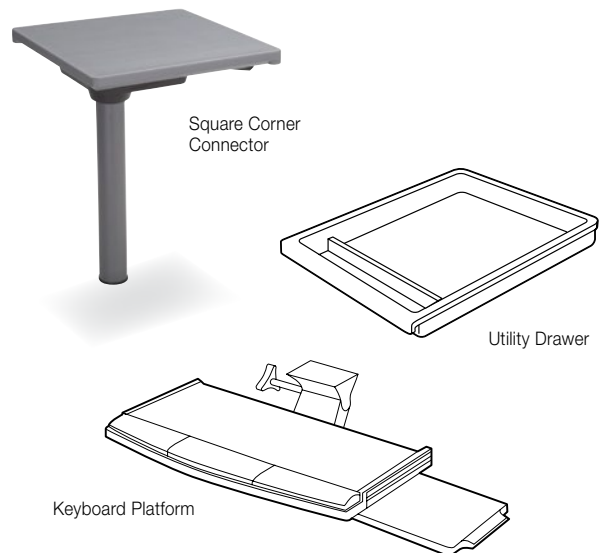
- Connector with support for L- or U-shaped workstations
- A perfect, low-cost solution for connecting two Aspira desks

Utility Drawer

- Underdesk pencil drawer with two supply compartments
- Fits most desks

Keyboard Platforms

- Adjusts 7-5/8", tilts 30° forward and 10° backward
- Wrist rest for keying comfort
- Attaches to most desks with flat undersurface



Specifications				
Grainger	Iceberg	Description	Size	Color
*	93001	Printer Stand	28" W x 28" D x 30" H	Black
16X022	93002	Printer Stand	28" W x 28" D x 30" H	Charcoal
16X023	93003	Printer Stand	28" W x 28" D x 30" H	Platinum
16X016	92802	34" Aspira Hutch	30.5" W x 16.25" D x 36" H	Charcoal
16X017	92803	34" Aspira Hutch	30.5" W x 16.25" D x 36" H	Platinum
16X018	92852	48" Aspira Hutch	43.5" W x 16.25" D x 36" H	Charcoal
16X019	92853	48" Aspira Hutch	43.5" W x 16.25" D x 36" H	Platinum
16X020	92862	60" Aspira Hutch	55.5" W x 16.25" D x 36" H	Charcoal
16X021	92863	60" Aspira Hutch	55.5" W x 16.25" D x 36" H	Platinum
16X028	95211	Mobile Underdesk Pedestal (box/box/file)	16.5" W x 22" D x 28" H	Black
16X029	95212	Mobile Underdesk Pedestal (box/box/file)	16.5" W x 22" D x 28" H	Charcoal
16X030	95213	Mobile Underdesk Pedestal (box/box/file)	16.5" W x 22" D x 28" H	Platinum
16X031	95411	Mobile Underdesk Pedestal (file/file)	16.5" W x 22" D x 28" H	Black
16X032	95412	Mobile Underdesk Pedestal (file/file)	16.5" W x 22" D x 28" H	Charcoal
16X033	95413	Mobile Underdesk Pedestal (file/file)	16.5" W x 22" D x 28" H	Platinum
*	94101	Square Corner Connector	28" W x 28" D	Black
16X024	94102	Square Corner Connector	28" W x 28" D	Charcoal
16X025	94103	Square Corner Connector	28" W x 28" D	Platinum
	95451	Utility Drawer	14" W x 14.5" D x 1.5" H	Black
16X034	95452	Utility Drawer	14" W x 14.5" D x 1.5" H	Charcoal
*	95453	Utility Drawer	14" W x 14.5" D x 1.5" H	Platinum
*	96361	Keyboard Platform with Mouse Pad	26" W x 22.5" D x 2.5" H	Black
*	96362	Keyboard Platform with Retractable Mouse Pad	23.5" W x 19" D x 1.5" H	Black
*	96364	Economy Keyboard Platform	26.5" W x 20.25" D x 0.5" H	Black

* Items available through Grainger Sourcing only.

Made in USA

For more information contact your Grainger Representative or visit Grainger.com®

AVAILABLE THROUGH
GRAINGER
 FOR THE ONES WHO GET IT DONE