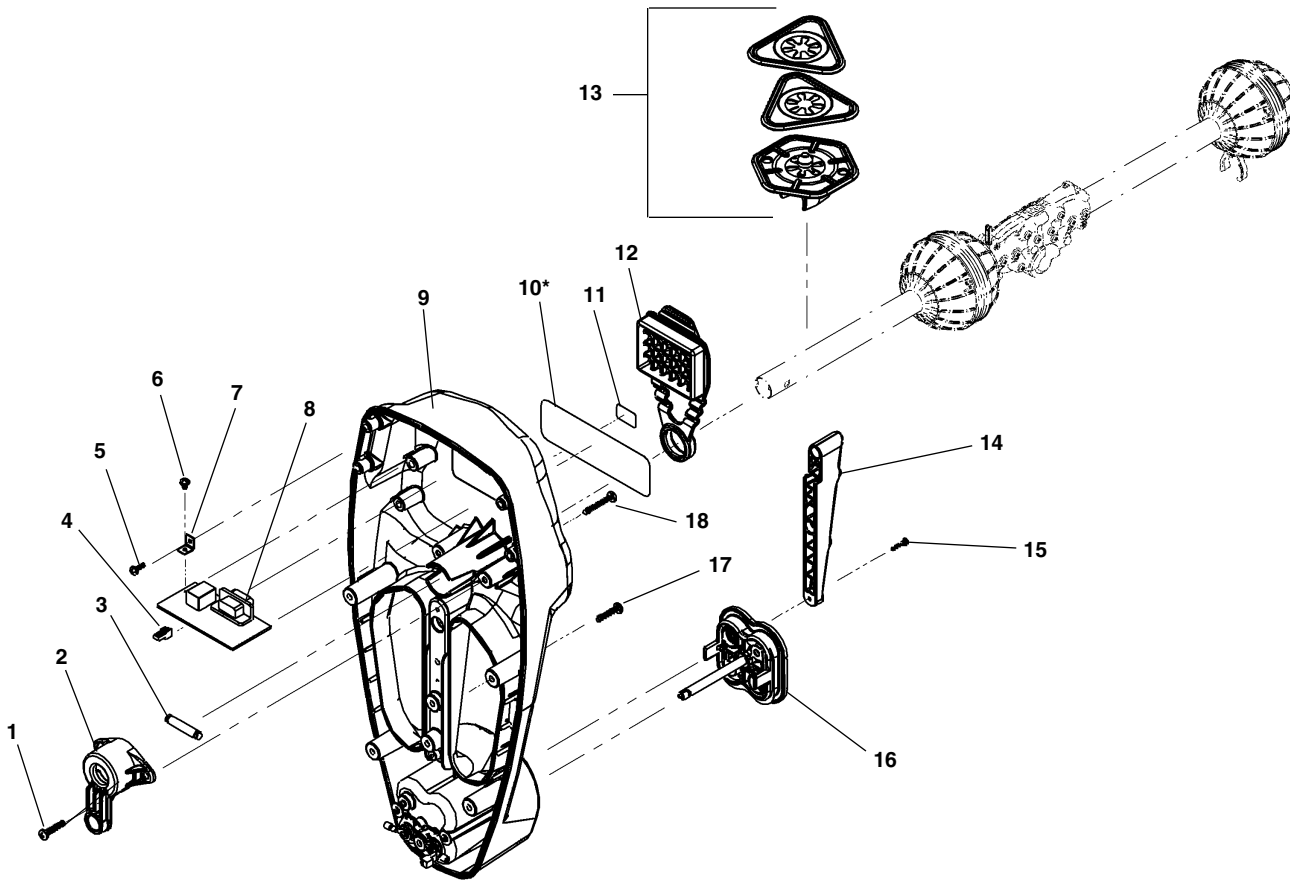


**NOTE: Order parts by Catalog Number only.
DO NOT order by Reference Number.**

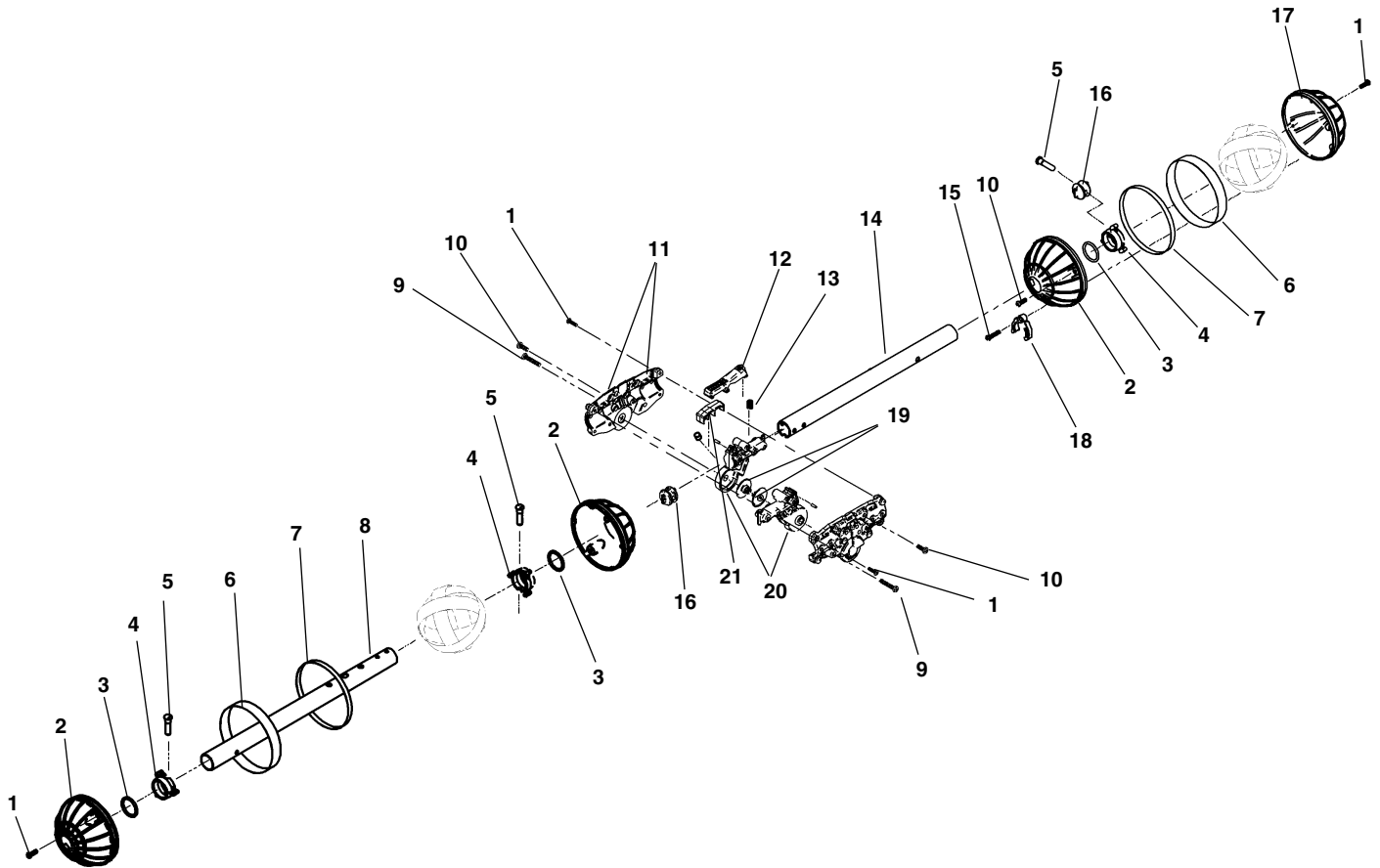
Ref. No.	Catalog No.	Description	Ref. No.	Catalog No.	Description
1	25793	Brow	22	25903	LCD Only
2	25798	Brow Label	23	25908	LCD Bottom Mount Bracket
3	21343	Keypad	24	*	Requires Factory Recalibration
4	25808	Label Set	25	24488	#4-20 x 3/8" Screw (7)
5	25813	Handle Insert Pad	26	*	Requires Factory Recalibration
6	25818	Top Case Only	27	25913	Power Board Mount
	25823	Top Case Assembly w/Keypad	28	25918	Foam Backing
7	25833	Handle Seals	29	25923	Polyester Tape
8	25833	Case Seal	30	25988	Screw #4-40 x 3/8" (2)
9	25838	LCD Window Gasket	31	25938	Speaker Wire Foam Brace
10	25843	LCD Window Adhesive	32	25943	Adhesive Wire Clip
11	25848	LCD Window Only	33	25948	Speaker Asm
12	25853	Level Bubble	34	25953	Flat Washer
13	25858	Level Bubble Holder	35	25958	Speaker Gasket Set
14	25863	LED Retaining Washer	36	25963	Headphone Jack
15	25868	LED	37	25968	Retaining Ring
16	25873	Level Bubble Retainer	38	25973	Headphone Jack Pad
17	25878	Level Support Pad	39	25978	Headphone Jack Cover
18	25983	Screw #2 x 3/8" (2)	Following Item Not Shown		
19	25888	Screw #4-20 x 5/16" (4)	26143	Ribbon Cable Asm	
20	25893	LCD Support Gasket	(Connects Keypad Ribbon To Main Circuit Board)		
21	25898	LCD Top Mount Bracket			



**NOTE: Order parts by Catalog Number only.
DO NOT order by Reference Number.**

Ref. No.	Catalog No.	Description
1	26063	Screw #8-16 x 3/8" (2)
2	26068	Tube Cap
3	26073	Dowel Pin
4	26078	Flat Flex Cable
5	24588	Screw #6 x 3/8" (2)
6	24593	Screw #6-32 x 3/16"
7	24583	Right Angle Mounting Bracket (2)
8	24563	Serial Board Asm
9	26083	Bottom Case Asm (Incl. Battery Contacts)
10	*	Serial Number Label (Can Only Be Applied At Mfg.)
11	26088	CE Label (Europe Only)
	26113	WEEE Label (Europe Only)
12	26093	Bottom Cover
13	12543	Set Of Marker Chips
14	26098	Bottom Handle Insert
15	24488	Screw #4 x 1/2" (3)
16	23178	Battery Cover Asm
17	26103	Screw #8 x 3/4" (9)
18	24408	Screw #8 x 1" (4)

Following Item Not Shown:
26108 Flat Nylon Washer (13)
(Fits Behind Screw Shown As Ref. 17)



**NOTE: Order parts by Catalog Number only.
DO NOT order by Reference Number.**

Ref. No.	Catalog No.	Description	Ref. No.	Catalog No.	Description
1	24413	Screw #6 x 1/2" (5)	12	23593	Pivot Latch
2	24328	Top Antenna Shell	13	23603	Latch Spring
3	24358	O-Ring	14	26133	Bottom Mast Tube
4	24318	Antenna Pin Ring	15	26128	Screw #6 x 3/4"
5	24373	Antenna Pin	16	23613	Tube Seal
6	26118	Antenna Ball Label	17	26138	Bottom Antenna Shell
7	24363	Double Sided Tape Roll	18	24333	Tube Lock
8	26123	Top Mast Tube	19	23598	Wire Reel
9	24408	Screw #8 x 1" (4)	20	23588	Center Pivot
10	24403	Screw #8 x 1/2" (16)	21	23628	Rear Pivot Cover
11	23663	Outer Pivot Asm			