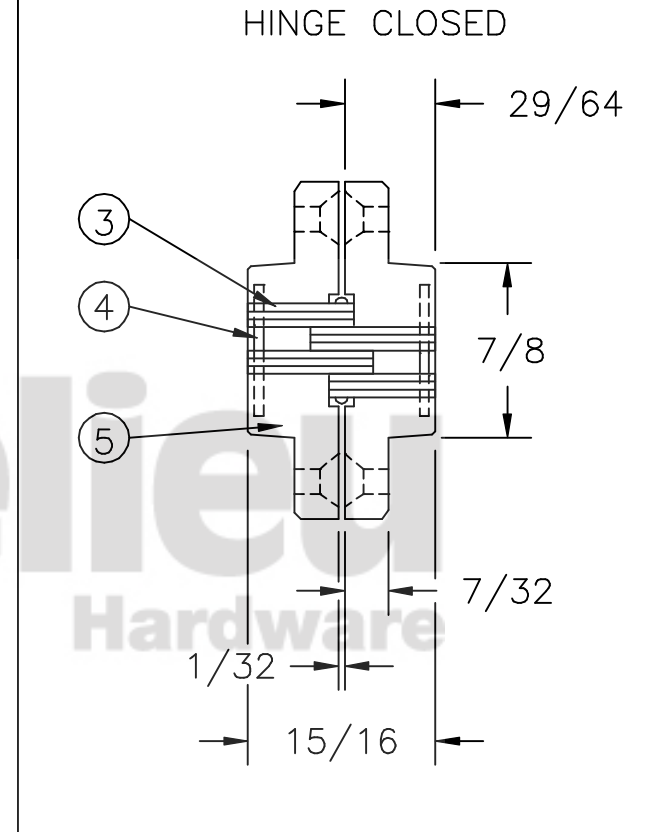
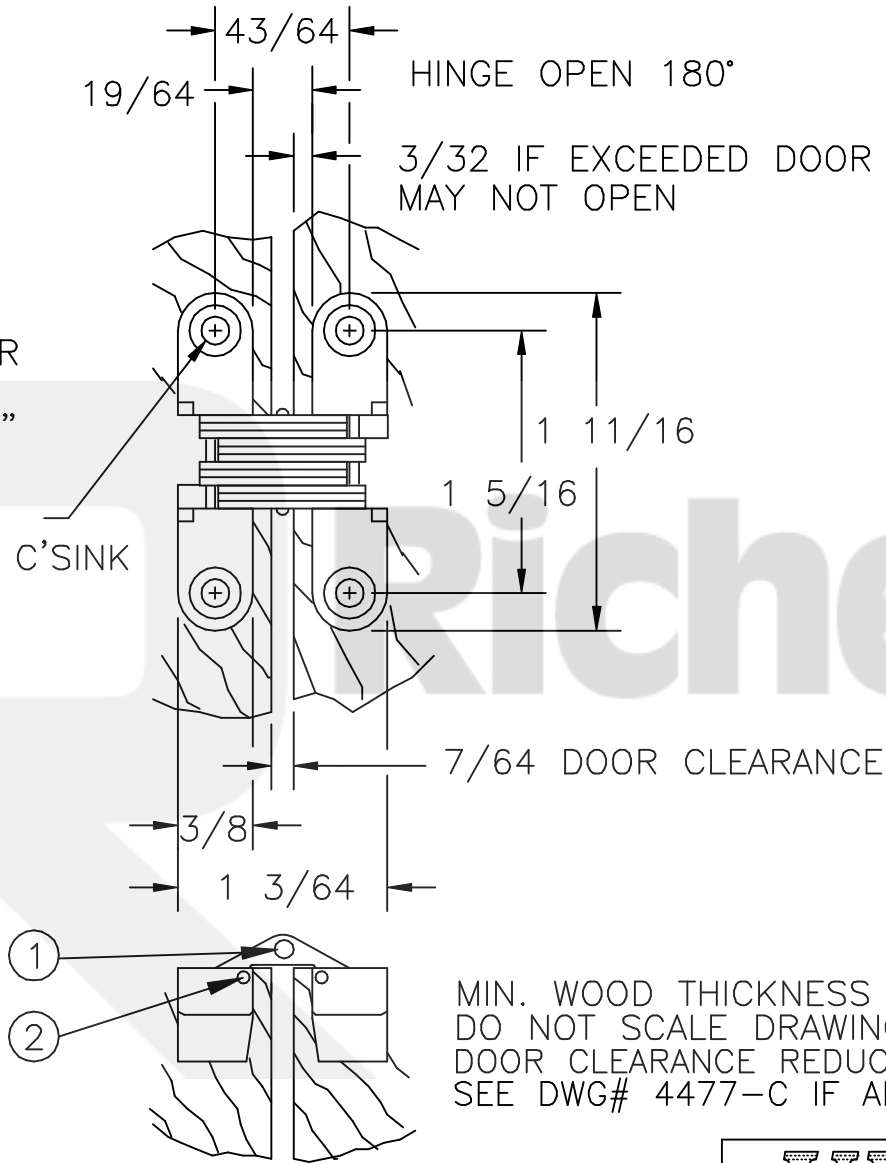


SUPPLIED
WOODSCREW
#5 x 3/4"
SPECIAL ORDER
MACH. SCREW
#4-40 X 1/2"

.140 DIA. WITH
.256 DIA. x 82° C'SINK



MIN. WOOD THICKNESS IS 1/2 INCH
DO NOT SCALE DRAWING
DOOR CLEARANCE REDUCES TO 1/64" WHILE CLOSING
SEE DWG# 4477-C IF ADDING MATERIAL TO DOOR FACE

5	2	BODY	ZINC
4	2	CHANNEL PIN	STEEL
3	12	LINK	STEEL
2	2	LONG PIN	STEEL
1	1	RIVET PIN	STEEL
NO.	QTY.	PART NAME	MATERIAL

UIP

©Copyright 1998
Universal Industrial Products Co. Inc.
One Coreway Drive
Pioneer, Ohio 43554-0628

SCALE:

NOT TO SCALE

DRAWN BY:

R.SEIGNEUR

HINGE TEMPLATE

DATE:

4/8/98

#101 SOSS INVISIBLE HINGE

DRAWING # 3941-C