

Echo™ Paper Holder

FEATURES:

- Spring-loaded paper holder
- Metal construction
- Corrosion resistant finishes
- Mounting hardware is included
- Coordinates with Echo & Chelsea Collections

STOCK FINISHES:



PC

SPECIALTY FINISHES:

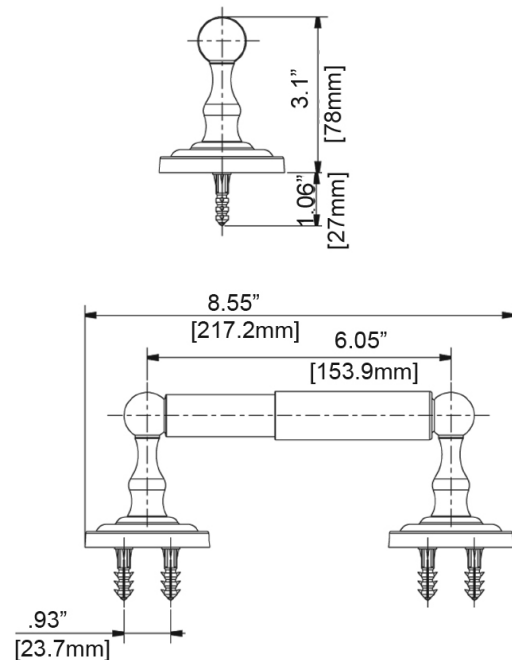


BN PN

WARRANTY:

Visit www.speakman.com for full product warranty information

- 1 Year Limited Warranty (commercial)
- Limited Lifetime Warranty (residential)



All dimensions are in inches (millimeters) unless otherwise specified and are subject to change without notice.

Architect/Engineer Approval Space:

P: 800-537-2107
 F: 800-977-2747
 W: WWW.SPEAKMAN.COM
 R: 02-NOVEMBER 2019