

## Commander Single Handle Laboratory Gooseneck Faucet

### FEATURES:

- Brass construction with corrosion resistant polished chrome finish
- Gooseneck rigid/swivel spout
- Vandal-resistant lever handle with color-coded indexes
- 1/4 turn ceramic cartridge to ensure drip-free performance
- Vandal-resistant 0.5 GPM (1.89 L/min) flow control
- Accommodates installations up to 1-5/16" thick
- Single hole mounting
- 1/2" -14 NPSM inlets (supply lines not included)
- Drain assembly not included

### AERATOR/FLOW RATE ADD-ONS:

- A-EA12: 1.2 GPM (4.54 L/min) Aerator Flow Control
- A-ELF: 1.2 GPM (4.54 L/min) Laminar Flow Aerator
- A-FC35: 0.35 GPM (1.32 L/min) Non-Aerated Flow Control

### HANDLE ADD-ONS:

- A-4WRIST: 4" Wrist Handle Kit
- A-CROSS: Cross Handle Kit

### STANDARDS:

- ASME A112.18.1/CSA B125.1 certified
- NSF/ANSI 61 certified
- NSF/ANSI 372 certified
- ADA compliant

### WARRANTY:

Visit [www.speakman.com](http://www.speakman.com) for full product warranty information

- 5 Year Limited Warranty (commercial)
- 5 Year Limited Warranty (residential)



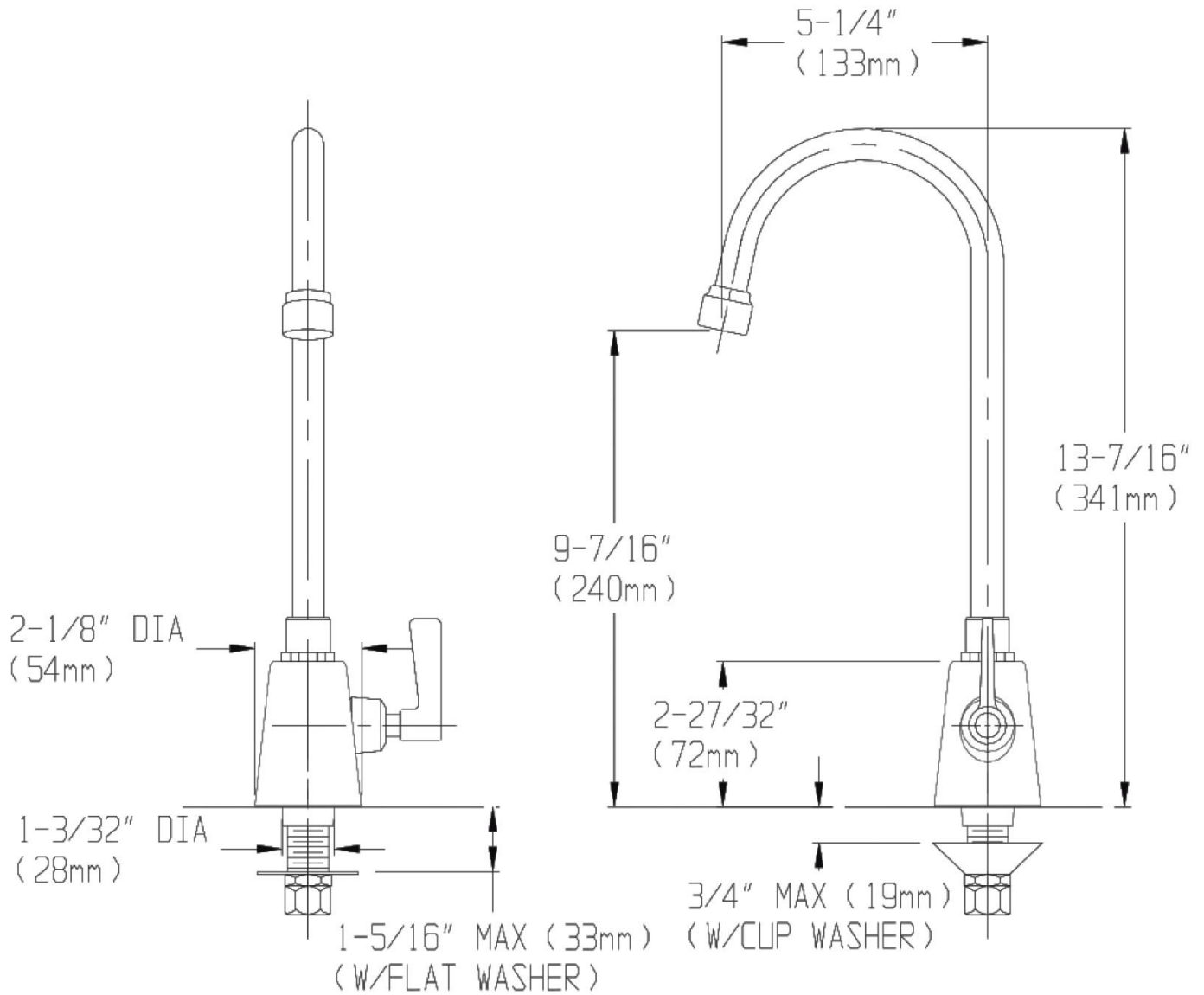
Information continues on next page

1. All dimensions are in inches (millimeters) unless otherwise specified and are subject to change without notice. 2. Inlet is sized for either coupling or sweat connection.

Architect/Engineer Approval Space:

P: 800-537-2107  
F: 800-977-2747  
W: WWW.SPEAKMAN.COM  
R: 03-APRIL 2022

## Commander Single Handle Laboratory Gooseneck Faucet



1. All dimensions are in inches (millimeters) unless otherwise specified and are subject to change without notice.

Architect/Engineer Approval Space:

P: 800-537-2107  
F: 800-977-2747  
W: WWW.SPEAKMAN.COM  
R: 03-APRIL 2022