

# SPEAKMAN COMPANY

## **SE-911 Installation, Maintenance & Operation Instructions**

### **DESCRIPTION**

Stay-Open ball valve for emergency showers.

### **SPECIFICATIONS**

VALVE: 1" NPT Female Brass, Nickel-Plated. Stay-Open Ball Valve.

INLET: 1" NPT Female.

OUTLET: 1" NPT Female.

SHIPPING WEIGHT: 3 lb.

#### SE-911-CR

SE-911 With 8" and 3" S/S Rings on #3 S/S Chains.

SHIPPING WEIGHT: 3 lb.

#### SE-911-PR

SE-911 With Powder Coated Yellow, Aluminum Triangular Pull Rod.

SHIPPING WEIGHT: 6 lb.

#### SE-911-SS

SE-911 With Stainless Steel Ball Valve, and Stainless Steel Pull Rod.

### **OPTIONS**

◇ SSBV1 (1" Stainless Steel Valve)
------------------------------------

### **INSTALLATION**

Assemble valve to a horizontal or vertical water supply that has an uninterrupted source of potable water. Use pipe sealant on all joints. Failure to use potable water can result in emergency units producing impure or contaminated water causing possible further injury.

### **OPERATION**

This valve is activated one of two ways, depending on the model in question.

1. SE-911-PR: Valve is activated by pulling downward on the aluminum pull rod, and is deactivated by manually pushing the pull rod back to the off position.
2. SE-911-CR: Valve is activated by pulling downward on the 8" dia. stainless steel ring, and is deactivated by pulling downward on the 3" dia. stainless steel ring.

Both model valves will discharge water until they are manually shut off following the instructions above.

### **TESTING PROGRAM**

The American National Standards Institute (ANSI) states that all safety emergency equipment shall be activated on a weekly basis to flush the line and verify proper operation. Speakman Company furnishes a testing record tag (91-0635) with each unit. On this tag the date of inspection and the inspectors initials should be noted.

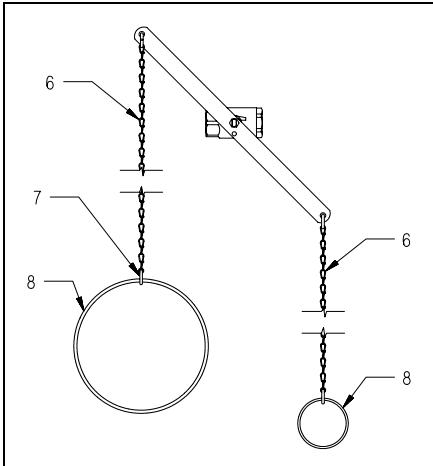
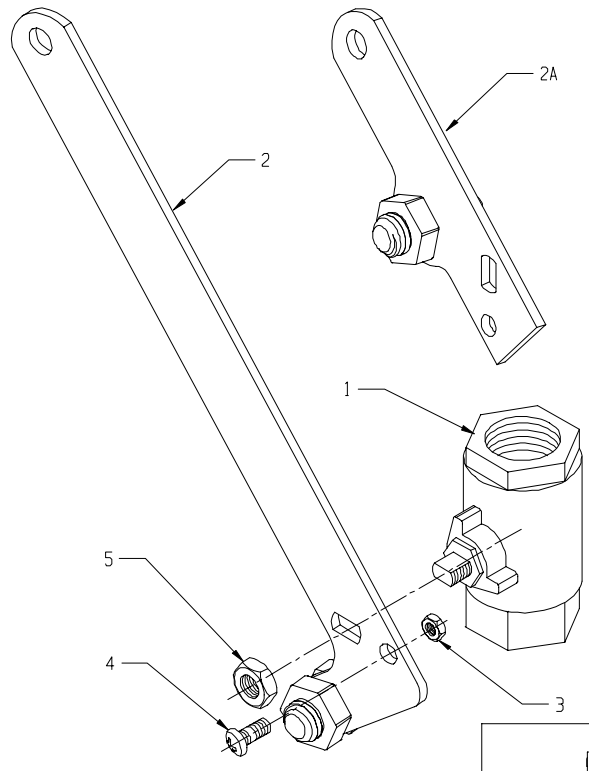
**MAINTENANCE**

Should you need parts to repair this unit, please reference the parts listing below for correct part numbers. Before any maintenance is done *be sure to shut the water supply off.*

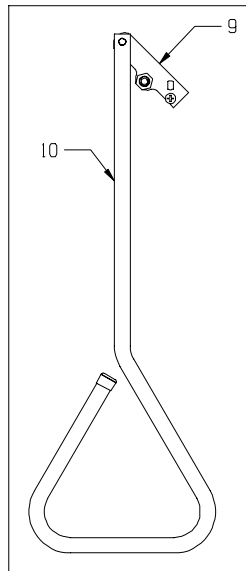
**WARNING:** Use only genuine Speakman parts when repairing or replacing components. To order parts call 1-800-537-2107.

**SE-911 REPLACEMENT/REPAIR PARTS**

<u>ITEM</u>	<u>PART/GROUP #</u>	<u>DESCRIPTION</u>
<i>SE-911:</i>		
1	20-0955	1" Ball Valve
2	G04-0724	Long Lever w/Plunger (Vertical Installation)
2A	G04-0722	Short Lever w/Plunger (Horizontal Installation)
3	01-0684-MO	S/S Locknut
4	48-0199-MO	1/4"-20 x 5/8" Machined Screw
5	01-0796-SS	S/S Jam Nut
<i>SE-911-CR:</i>		
6	05-1332-SS	#3 S/S Chain 32" Long
	05-1333-SS	#3 S/S Chain 9" Long
7	35-0029	S-Hook (4 Typ.)
8	22-0039-SS	8" S/S Ring
	22-0040-SS	3" S/S Ring
<i>SE-911-PR:</i>		
9	G04-0722	Short Lever
10	G47-0046-29	Aluminum Pull Rod
<i>SE-911-SS:</i>		
1	20-0931-SS	1" Stainless Steel Ball Valve



**SE-911-CR**



**SE-911-PR**

**FLOW DATA**

VALVE:

FLOW PRESSURE PSI (BAR)	5 (.34)	10 (.69)	15 (1.03)	20 (1.38)	25 (1.72)
FLOW RATE GPM (LPM)	44 (167)	68 (257)	80 (303)	92 (348)	103 (390)

NOTE: This unit should be connected to an uninterrupted source of potable water, with a minimum flowing pressure of 20 PSI and a maximum static pressure of 125 PSI.

Note: All units meet existing ANSI Z358.1 Standards and OSHA Rules. Product improvements may cause specification and dimensional changes without notice.



PO Box 191 Wilmington, DE 19899 Phone: 800-537-2107 Fax: 800-977-2747  
Visit us on the web at [www.speakmancompany.com](http://www.speakmancompany.com)