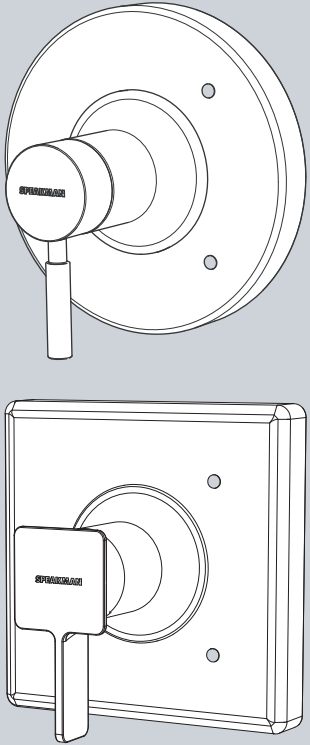


INSTRUCTIONS FOR MODELS

CPT-1000-TP
CPT-1300-TP



NEED HELP?

For additional assistance or service please contact:

SPEAKMAN® Company
400 Anchor Mill Road
New Castle, DE 19720

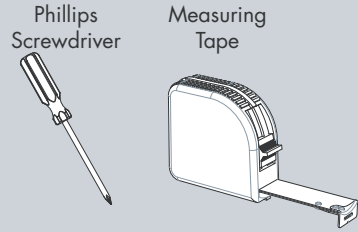
800-537-2107

customerservice@speakman.com

www.speakman.com

92-CPT-1000-TP-02

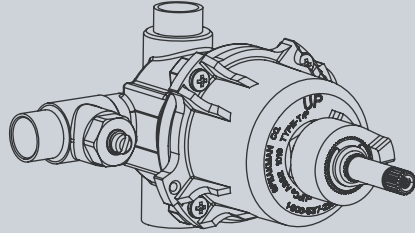
TOOLS AND SUPPLIES



IMPORTANT

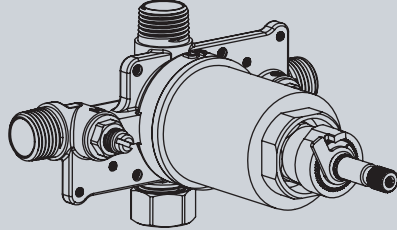
- Circular Trim Package shown for reference. While the appearance of your trim may be different, the installation steps are the same.
- This Trim Package is intended to mount to the following Speakman valves. Please verify the model of your valve prior to installation.

SPEAKMAN® SentinelPro®
CPV-5000 Thermostatic / Balance Pressure Valve



*NOT FOR USE WITH DIVERTER/VOLUME CONTROL MODELS

SPEAKMAN® SentinelPro®
CPV-TP Thermostatic / Balance Pressure Valve



*NOT FOR USE WITH DIVERTER/VOLUME CONTROL MODELS



IMPORTANT



- Do not over-tighten any connections or damage may occur.
- Be sure to read instructions thoroughly before beginning installation.

SAFETY TIPS

Cover your drain to prevent loss of parts. Be sure to wear eye protection while cutting pipe.

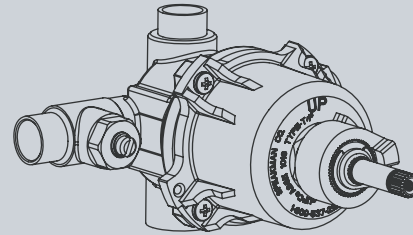
MAINTENANCE

Your new Speakman Product is designed for years of trouble-free performance. Keep it looking new by cleaning it periodically with a soft cloth. The use of harsh chemicals and abrasives on any of the Speakman custom finish products may damage the finish and void the product warranty. Please be sure to only use approved cleaners. Please contact Speakman for any clarification of acceptable cleaners.

WARRANTY

Additional warranty information can be found at: www.speakman.com

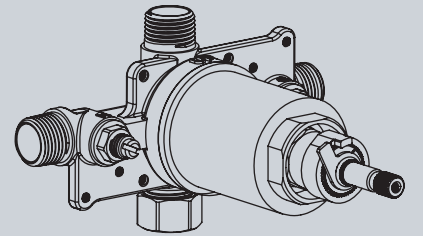
If installing to a Speakman
CPV-5000 valve:



STEPS

1 → 6

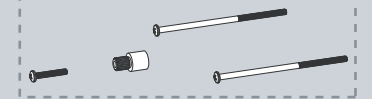
If installing to a Speakman
CPV-TP valve:



STEPS

7 → 11

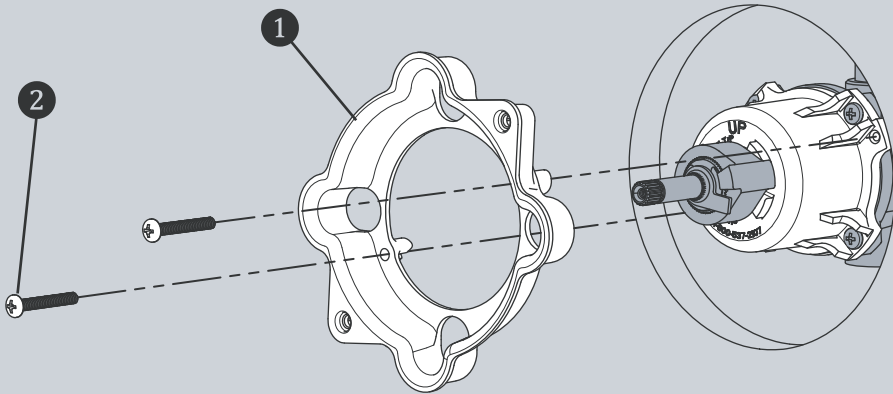
CPV-TP INSTALLATION HARDWARE BAG



1

CPV-5000 INSTALLATION

Clean front surface of wall. Install Valve Mounting Plate **1** to Speakman Valve, using the 8-32 x 1-1/8" screws **2** provided. Take care to not over tighten mounting screws.

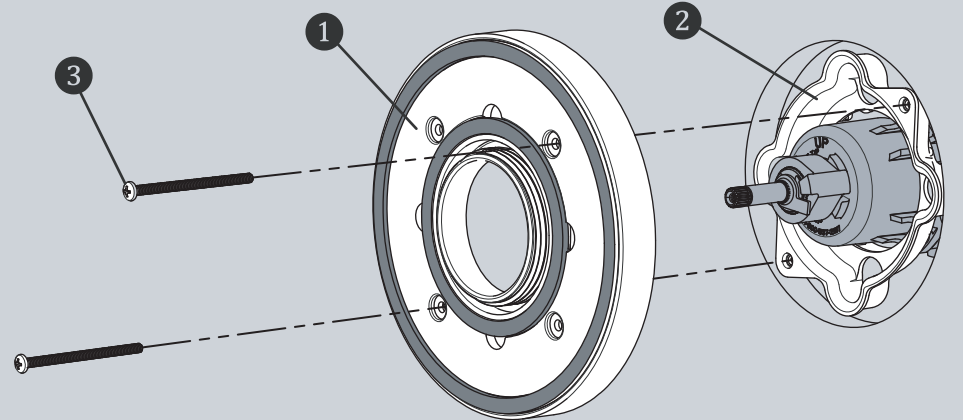


NOTE: The Valve Mounting Plate Assembly (1) should sit flush against the Speakman Valve when installed correctly.

2

CPV-5000 INSTALLATION

Secure the Wall Mounting Plate **1** to the Valve Mounting Plate **2** using the 8-32 X 2 1/2" Screws **3** provided.



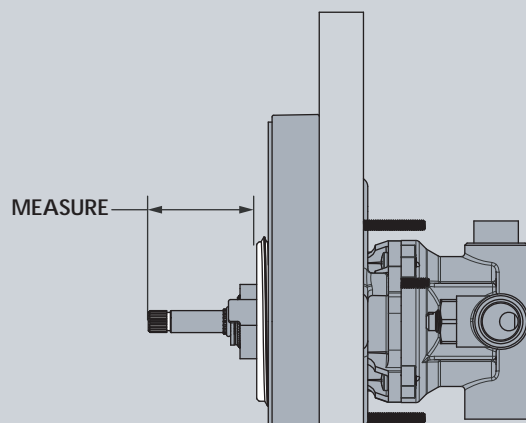
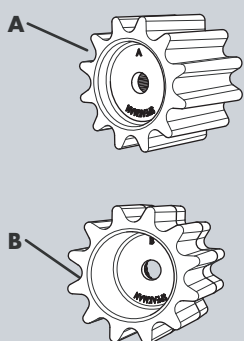
NOTE: The back surface of the Valve Mounting Plate Assembly (1) should sit flush against the wall when installed correctly.

3

CPV-5000 INSTALLATION

The Universal Valve Trim kit includes two Spindle Adapters that allow for both shallow and deep valve mount installations. Measure the distance between the front lip of the Wall Mounting Plate and the end of the Valve Spindle as shown below to determine correct selection of Spindle Adapter.

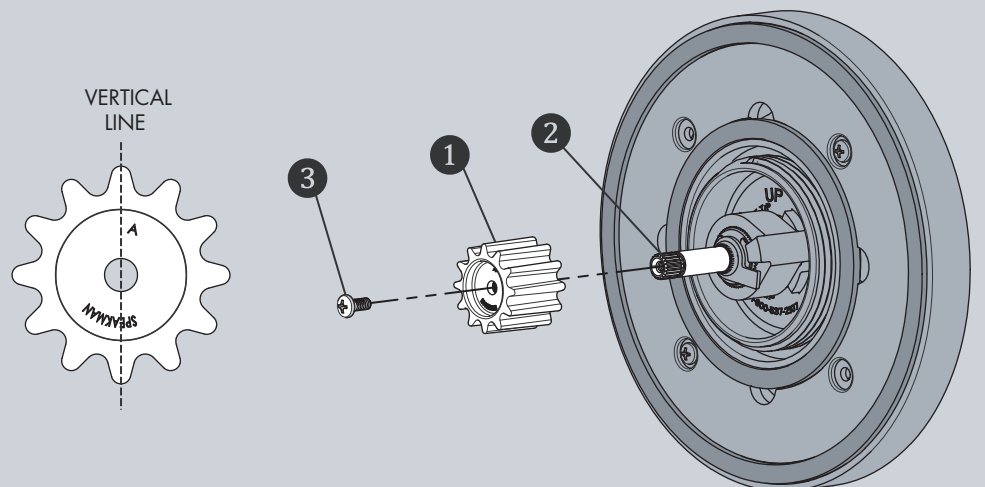
- If the measurement falls between **1-7/8" to 2-1/2"**, the Spindle Adapter marked "**A**" is needed for installation.
- If the measurement falls between **1-3/8" to 1-7/8"**, the Spindle Adapter marked "**B**" is needed for installation.



4

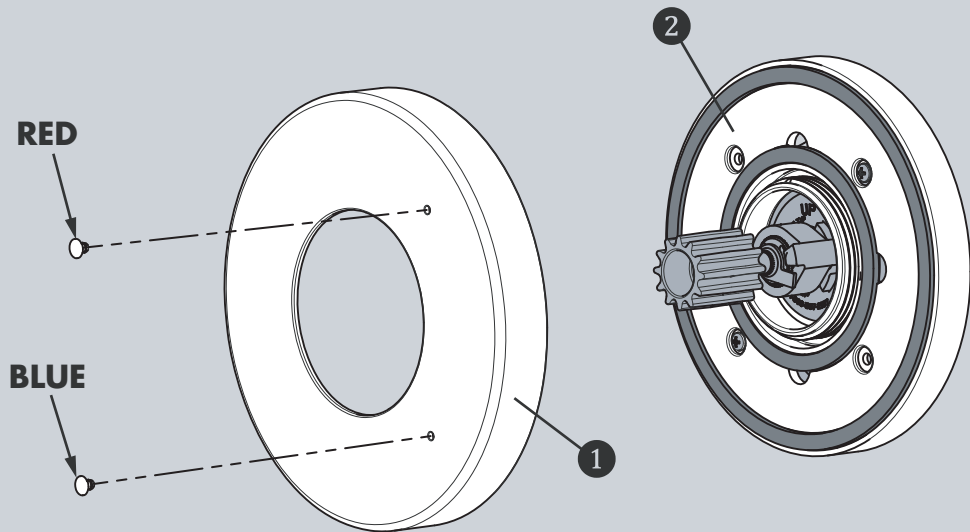
CPV-5000 INSTALLATION

Confirm that the Valve is in the off position. Insert Spine Adapter **1** (Spine Adapter selection determined in **STEP 3**) over Valve Spindle **2**. One set of splines on the adapter must be oriented perfectly vertical when installed, as shown below. Secure the Spine Adapter with the 8-32 X 3/8" Screw **3** provided.



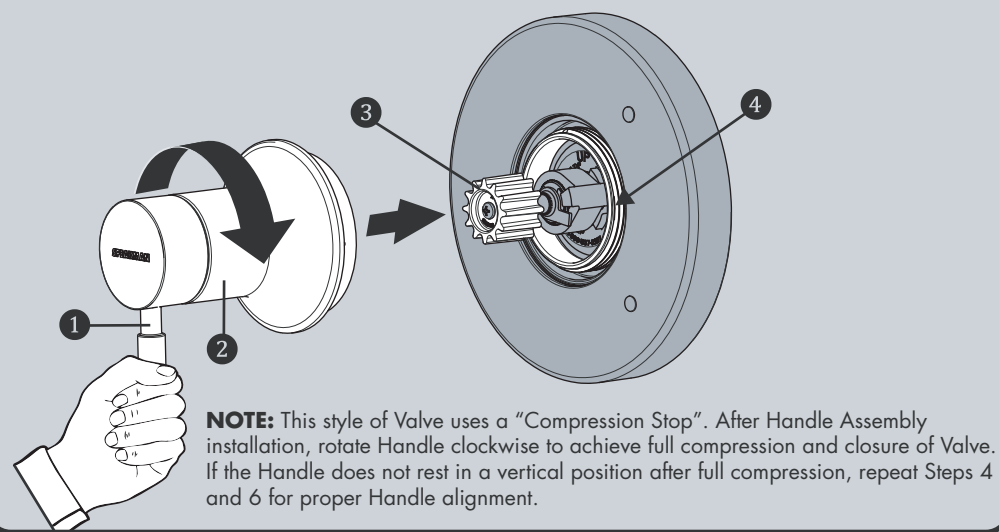
5 CPV-5000 INSTALLATION

Orient the Decorative Wall Plate **1** as shown below and insert the RED index button into the top hole of the Wall Plate, and the BLUE index button into the lower hole. Slide Wall Plate Assembly over Wall Mounting Plate **2**.

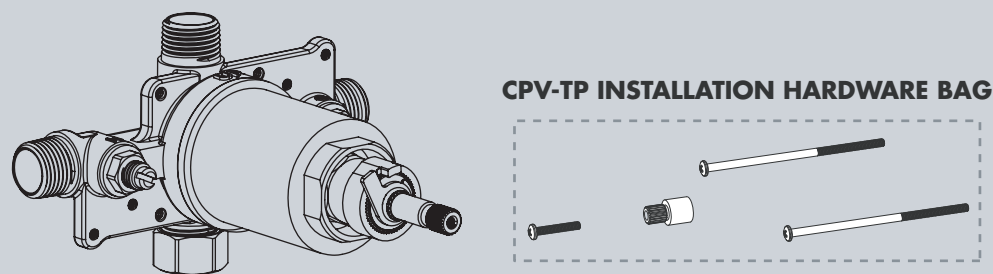


6 CPV-5000 INSTALLATION

Orient the Handle Assembly in a vertical position as shown below. Guide Handle Assembly onto the Spline Adapter **3**. While holding the Handle **1** stationary in the vertical position, thread the Handle Escutcheon **2** onto the Wall Mounting Plate **4**. Hand tighten until snug.



CPV-TP INSTALLATION

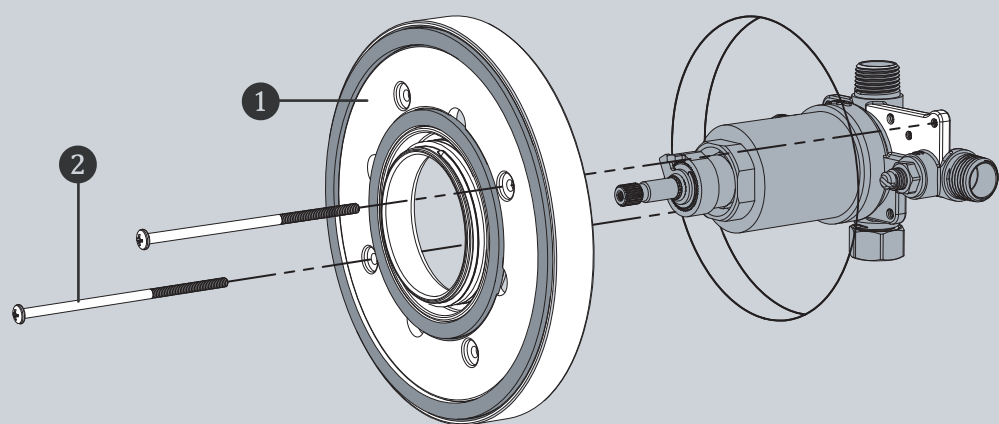


STEPS

7 → **11**

7 CPV-TP INSTALLATION

Clean front surface of wall. Secure the Wall Mounting Plate **1** to the CPV-TP Valve using the longer screws **2** from the CPV-TP Hardware Bag provided.

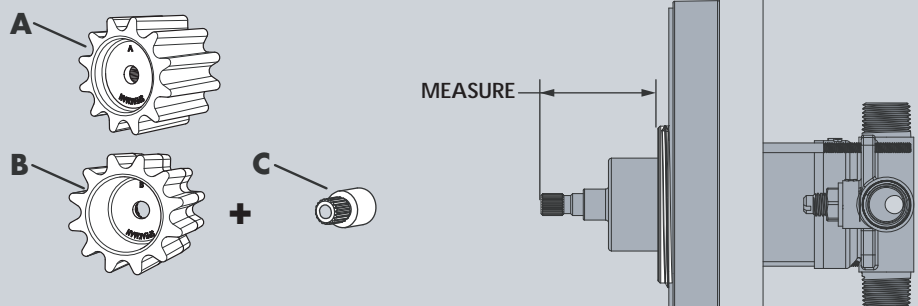


NOTE: The back surface of the Valve Mounting Plate Assembly (1) should sit flush against the wall when installed correctly.

8 CPV-TP INSTALLATION

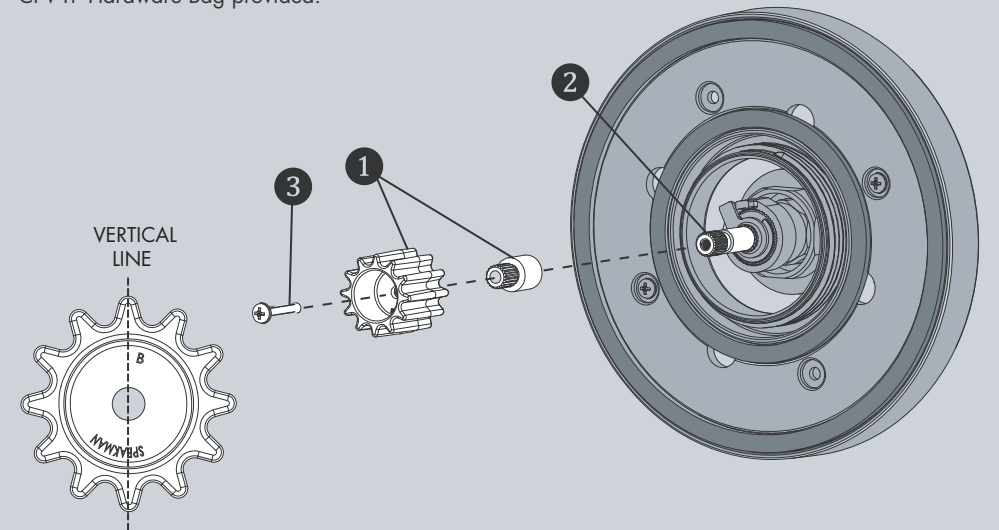
The Universal Valve Trim kit includes three Spindle Adapters that allow for both shallow and deep valve mount installations. Measure the distance between the front lip of the Wall Mounting Plate and the end of the Valve Spindle as shown below to determine correct selection of Spindle Adapter.

- If the measurement falls between **2" to 2-3/8"**, the Spine Adapter marked "**A**" is needed for installation.
- If the measurement falls between **1-1/2" to 2"**, the Spine Adapter marked "**B**" is needed for installation.
- If the measurement falls between **1-1/4" to 1-1/2"**, the Spine Adapter marked "**B**" plus "**C**" Extension is needed for installation.



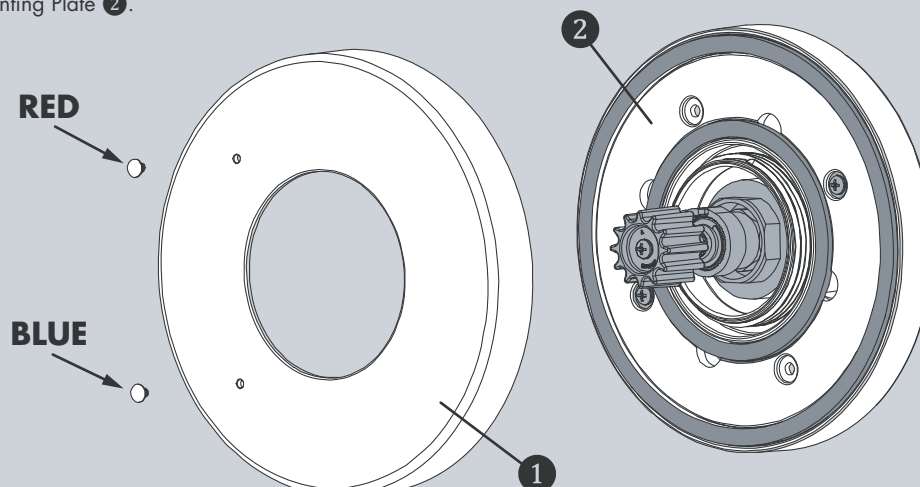
9 CPV-TP INSTALLATION

Confirm that the Valve is in the off position. Insert Spine Adapter(s) **1** (Spine Adapter selection determined in **STEP 8**) over Valve Spindle **2**. One set of splines on the adapter must be oriented perfectly vertical when installed, as shown below. Secure the Spine Adapter with the Screw **3** from the CPV-TP Hardware Bag provided.



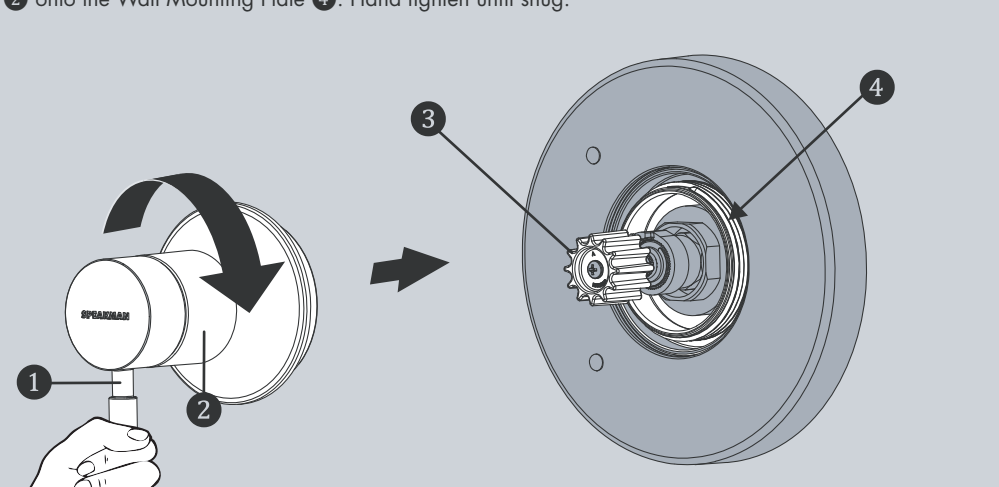
10 CPV-TP INSTALLATION

Orient the Decorative Wall Plate **1** as shown below and insert the RED index button into the top hole of the Wall Plate, and the BLUE index button into the lower hole. Slide Wall Plate Assembly over Wall Mounting Plate **2**.

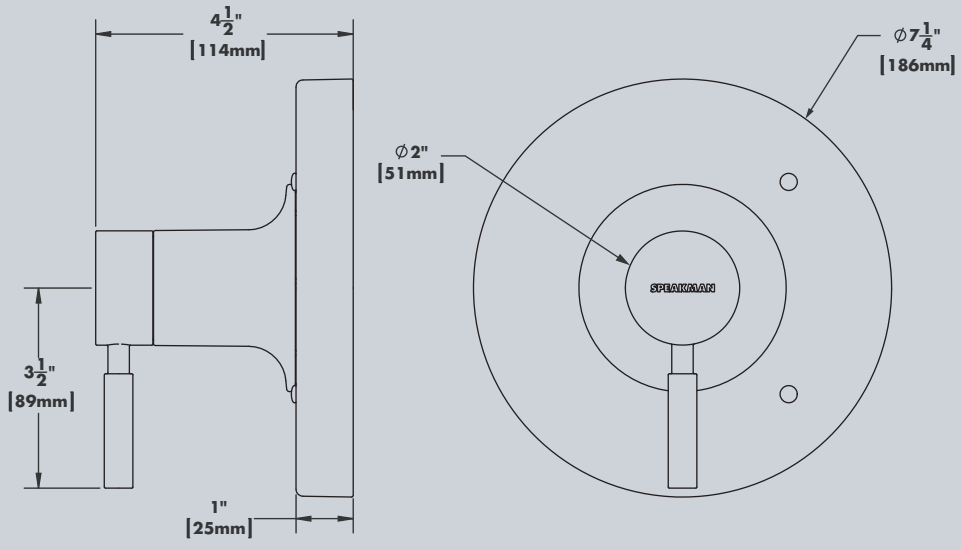


11 CPV-TP INSTALLATION

Orient the Handle Assembly in a vertical position as shown below. Guide Handle Assembly onto the Spline Adapter **3**. While holding the Handle **1** stationary in the vertical position, thread the Handle Escutcheon **2** onto the Wall Mounting Plate **4**. Hand tighten until snug.

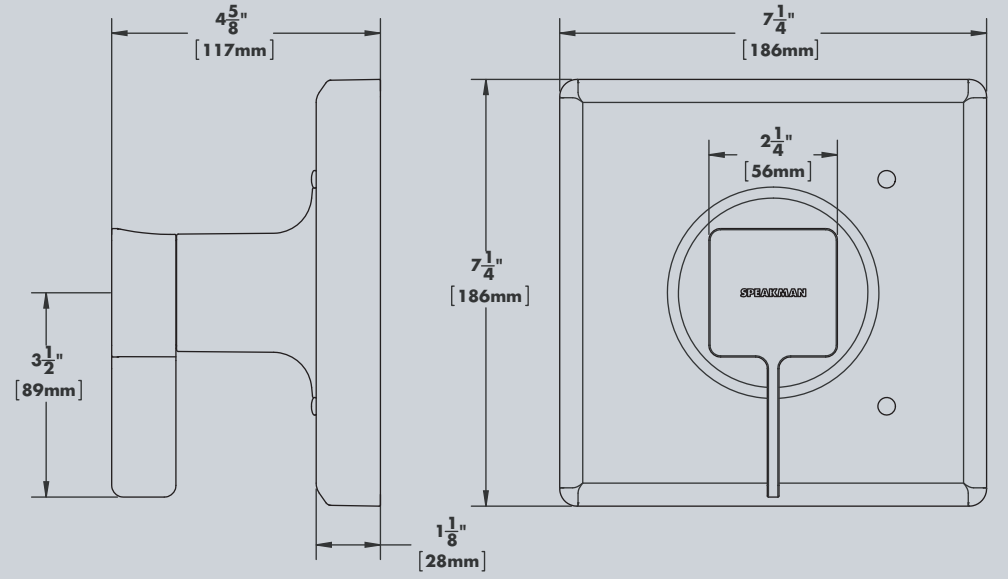


ROUGH-IN DIMENSIONS: CPT-1000-TP



•Dimensions are subject to change without notice.

ROUGH-IN DIMENSIONS: CPT-1300-TP



•Dimensions are subject to change without notice.

REPAIR PARTS

•RPG10-0118 1 2 3 4 5 6 7 8 9

