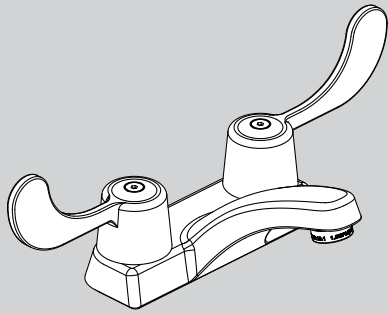


## INSTRUCTIONS FOR MODELS

SC-4074-LD  
SC-4074-E-LD



### NEED HELP?

For additional assistance or service please contact:

**SPEAKMAN**® Company  
400 Anchor Mill Road  
New Castle, DE 19720

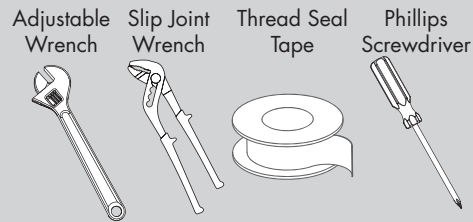
800-537-2107

customerservice@speakman.com

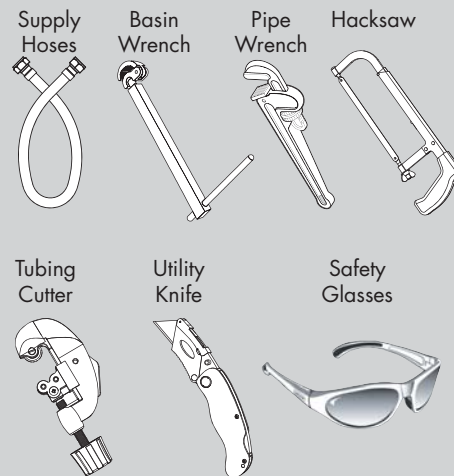
www.speakman.com

92-SC-4074-LD-05

## TOOLS AND SUPPLIES



### HELPFUL TOOLS & SUPPLIES:



### SAFETY TIPS

Cover your drain to prevent loss of parts. Be sure to wear eye protection while cutting pipe.

### MAINTENANCE

Your new Lavatory Faucet is designed for years of trouble-free performance. Keep it looking new by cleaning it periodically with a soft cloth. Avoid abrasive cleaners, steel wool, and harsh chemicals as these will dull the finish and void your warranty.

### WARRANTY

Additional warranty information can be found at: [www.speakman.com](http://www.speakman.com)



## IMPORTANT



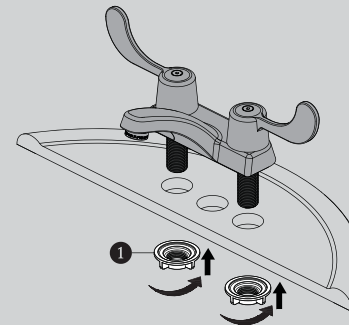
Be sure to read instructions thoroughly before beginning installation. Do not overtighten any connections or damage may occur. This faucet has an operating range of 20-80 psi.

### OUTLET FLOW RATE

1.5 gpm aerator (SC-4074-LD Faucet).  
0.5 gpm spray outlet (SC-4074-E-LD Faucet).

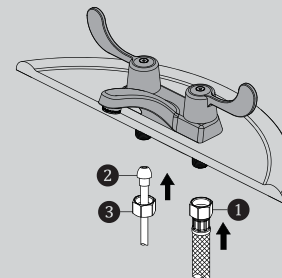
1

Shut off water supplies. Remove old faucet. Place faucet through mounting holes in sink. Secure faucet to sink using mounting nuts (1) provided.



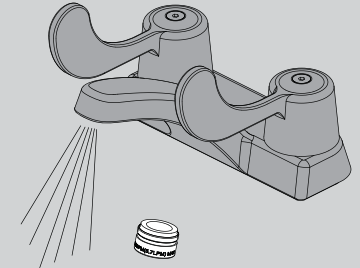
2

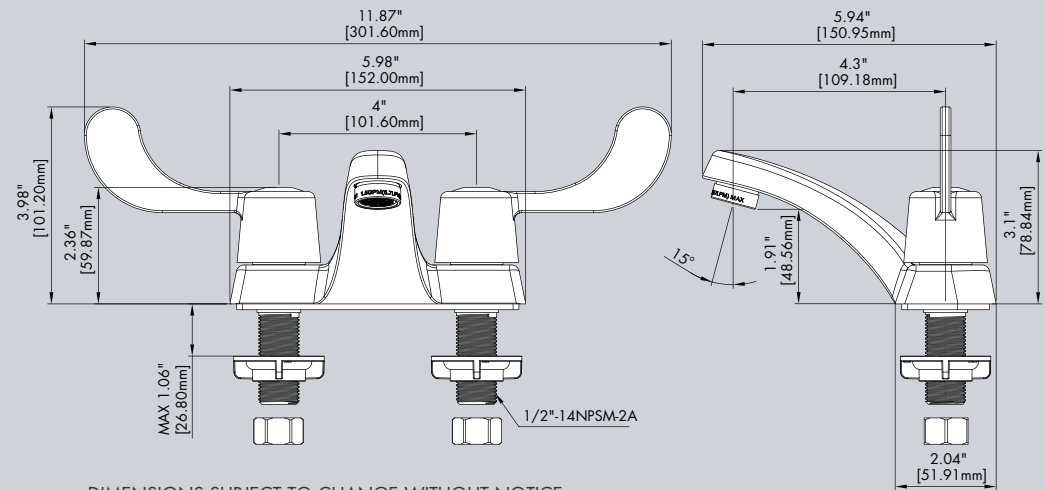
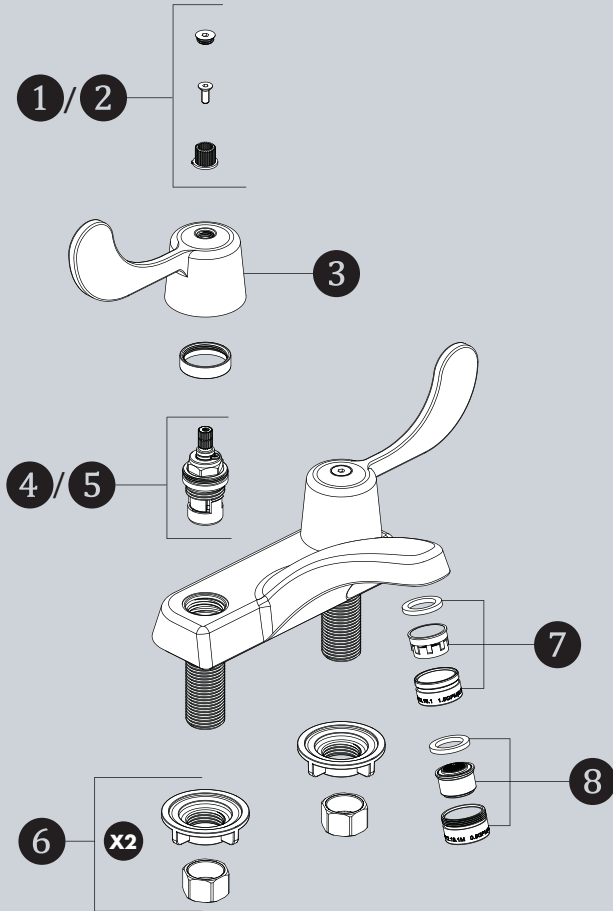
Make connections to water lines. Use 1/2" IPS faucet connections (1) or use the coupling nuts (3) with 3/8" O.D. ball-nose risers (2). Use wrenches to tighten connections. Do not overtighten.



3

**IMPORTANT:** After installation is completed, remove aerator. Turn on water supply and allow both hot and cold water to run for at least one minute each. While water is running, check for leaks. Replace aerator or install 0.5gpm spray outlet.





DIMENSIONS SUBJECT TO CHANGE WITHOUT NOTICE.

ITEM NO.	PART NO.	DESCRIPTION
1	RPG41-0119	HOT INDICATOR (RED)
2	RPG41-0119	COLD INDICATOR (BLUE)
3	RPG04-0404-PC	WRIST BLADE HANDLES
4	RPG05-0899	1/4 TURN CERAMIC HOT VALVE
5	RPG05-0900	1/4 TURN CERAMIC COLD VALVE
6	RPG45-0045	MOUNTING HARDWARE (x2)
7	RPG05-0838-PC	1.5 GPM AERATOR
8	RPG05-0798-PC	0.5 GPM SPRAY OUTLET