

SPEAKMAN®

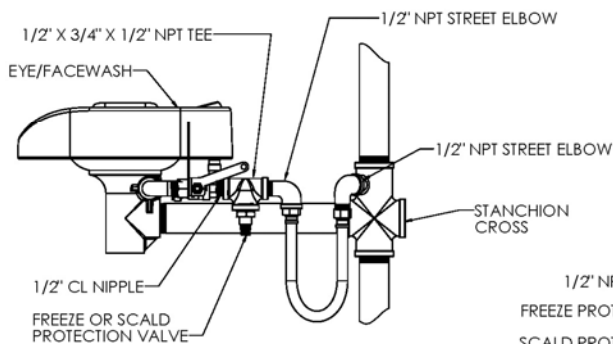
Installation, Maintenance & Operation Instructions

ADDING A FREEZE AND/OR SCALD PROTECTION VALVES TO AN EXISTING COMBINATION UNIT

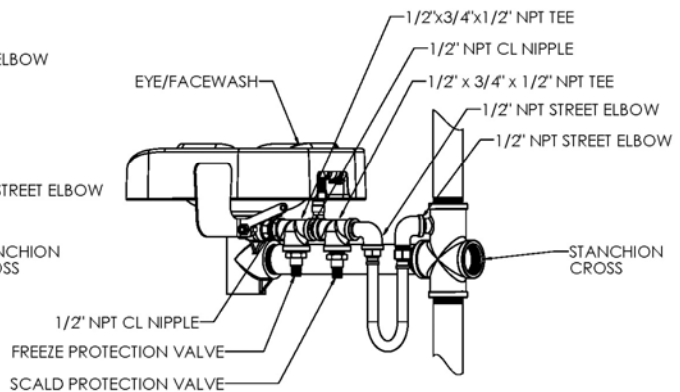
Installation

1. Shut water supply off.
2. Disconnect the braided flex hose from the stanchion cross and eyewash ball valve.
3. Connect the 1/2" Close Nipple, and the Tee/Valve sub-assembly into the eyewash Ball Valve inlet (see diagram below), using a thread sealant on all connections.
4. Connect the street elbows onto the tee assembly and onto the stanchion cross (see diagram below), using a thread sealant on all connections.
5. Reconnect the braided flex hose to the tee assembly street elbow (use thread sealant) and to the street elbow on the stanchion cross.
6. To prevent water spillage and potential slipping hazards at shower location, it is recommended to connect proper drainage piping to the 3/8" NPT outlet on the freeze protection valve located on the 1/2 X 3/4 x 1/2 tee. If a flexible type hose is used, be careful to avoid kinking in the hose, which in turn may cause a frozen blockage.
7. Turn water back on, and inspect & test unit.

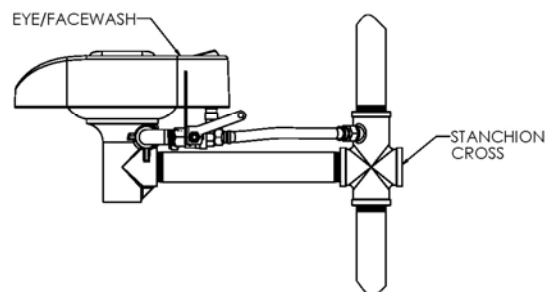
WITH ONE TYPE PROTECTION VALVE



WITH BOTH PROTECTION VALVES



STANDARD CONFIGURATION
WITHOUT PROTECTION VALVES



SPEAKMAN®