

SPEAKMAN COMPANY

SE-925-TEW Installation, Maintenance & Operation Instructions

EYESAVER® LABORATORY DRENCH HOSE

DESCRIPTION

Wall mounted laboratory drench hose supplied with twin spray head with flip-off dust cover, and self-closing valve with automatic stay-open feature activated by squeeze handle.

SPECIFICATIONS

SPRAY HEAD: Twin Yellow, ABS Plastic Spray Outlet, Dust Cover.
VALVE: 3/8" NPT Female Brass. Self-Closing with Hold-Open Lever.
ACTIVATOR: Brass, Chrome-Plated Squeeze Handle.
HOSE: 12' of 1/2" I.D. Recoiling Nylon.
ELBOW: 90°, Chrome-Plated Brass.
FLANGE: Chrome-Plated Brass.
INLET: 1/2" NPTM.
SHIPPING WEIGHT: 4.95 lbs.
EMERGENCY SIGN: 7-7/8" x 7-7/8" Plastic Wall Sign.

OPTIONS

◇ SSHSE (Stainless Steel Hose) Not Coiled
◇ SGN4 (Eye Wash Floor Sign)

INSTALLATION

In desired location drill hole in wall to accommodate 1/2" NPT supply inlet. Review drawing (as shown on other side) to assure proper assembly. Connect a water supply to the unit (use pipe sealant on connection) that is a 1/2" minimum uninterrupted source of potable water. Failure to use potable water can result in emergency units producing impure or contaminated water causing possible further injury.

Note: Spray head height must be 33-45" above floor to be ANSI Z358.1 compliant..

OPERATION

This drench hose is activated by squeezing the valve handle. Because of the automatic stay-open feature, the valve will open and remain on upon activation. A non-aerated flow of water will discharge and will continue to flow until the handle is squeezed, the stay-open plunger is pulled outward, and the handle is released.

TESTING PROGRAM

The American National Standards Institute (ANSI) states that all safety emergency equipment shall be activated on a weekly basis to flush the line and verify proper operation. Speakman Company furnishes a testing record tag (91-0635) with each unit. On this tag the date of inspection and the inspectors initials should be noted.

SPEAKMAN®

400 Anchor Mill Rd. New Castle, DE 19720 Phone: 800-537-2107
07/12 Visit us on the web at www.speakmancompany.com

Fax: 800-977-2747
92-SE-925-TEW-R3

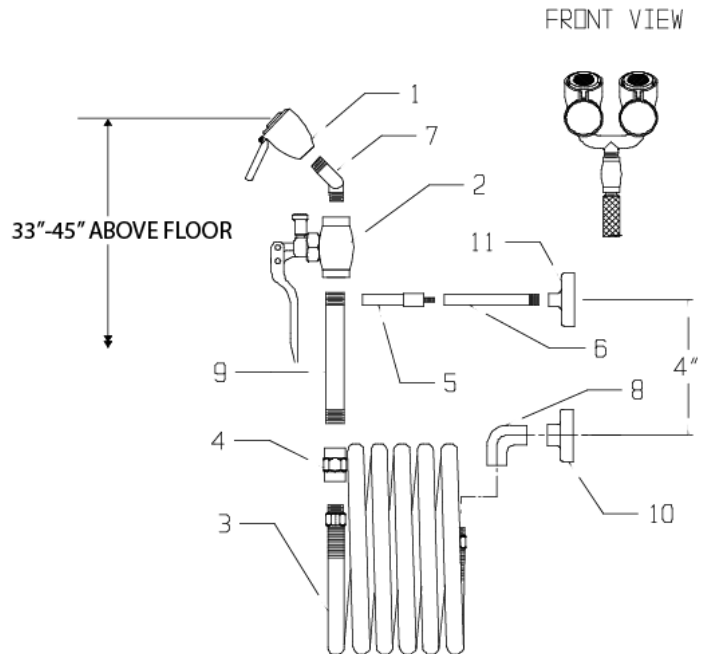
MAINTENANCE

Should you need parts to repair this unit, please reference the parts list below for correct part numbers. Before any maintenance is done **be sure to shut the water supply off.**

WARNING: Use only genuine Speakman parts when repairing or replacing components. To order parts call 1-800-537-2107.

SE-925-TEW REPLACEMENT/REPAIR PARTS

ITEM	PART/GROUP #	DESCRIPTION
1	RPG38-0380	Spray Head Assy.
2	G20-1742-PC	Self-Closing Valve
3	G63-0025-RCP	12' Nylon Recoil Hose
4	05-0478-PC	3/8" IPS Female Socket
5	05-1672-MO	Hose Clip
6	32-0200-RCP	Hose Hanger Rod
7	24-0295-PC-P	Bullhorn Tee
8	25-0017-RCP	1/2" NPT Elbow
9	31-0292-PC	3/8" NPT x 5"lg Br Pipe
10	26-0044-PC-P	1/2" Pipe Wall Flange
11	26-0100-PC	Strap Flange



FLOW DATA

DRENCH HOSE:

FLOW PRESSURE	PSI (BAR)	30 (2.07)
FLOW RATE	GPM (LPM)	2.37 (9)

NOTE: This unit should be connected to an uninterrupted source of potable water, with a minimum flowing pressure of 30 PSI and a maximum static pressure of 125 PSI.

Note: All units meet existing ANSI Z358.1 1998 Standards and OSHA Rules. Product improvements may cause specification and dimensional changes without notice.

SPEAKMAN®

400 Anchor Mill Rd. New Castle, DE 19720 Phone: 800-537-2107
07/12 Visit us on the web at www.speakmancompany.com

Fax: 800-977-2747
92-SE-925-TEW-R3