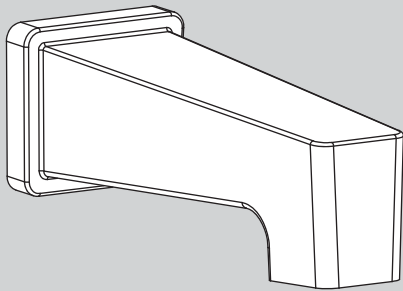


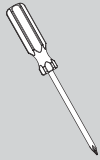
## INSTRUCTIONS FOR MODELS

# S-1568



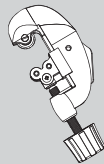
## TOOLS AND SUPPLIES

Phillips  
Screwdriver

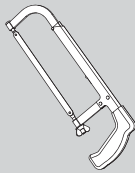


### HELPFUL TOOLS & SUPPLIES:

Tubing  
Cutter



Hacksaw



Safety  
Glasses



## IMPORTANT



- Do not over-tighten any connections or damage may occur.
- Be sure to read instructions thoroughly before beginning installation.

### SAFETY TIPS



Cover your drain to prevent loss of parts. Be sure to wear eye protection while cutting pipe.

### MAINTENANCE



Your new Speakman product is designed for years of trouble-free performance. Keep it looking new by cleaning it periodically with a soft cloth. Avoid abrasive cleaners, steel wool, and harsh chemicals as these will dull the finish and void your warranty.

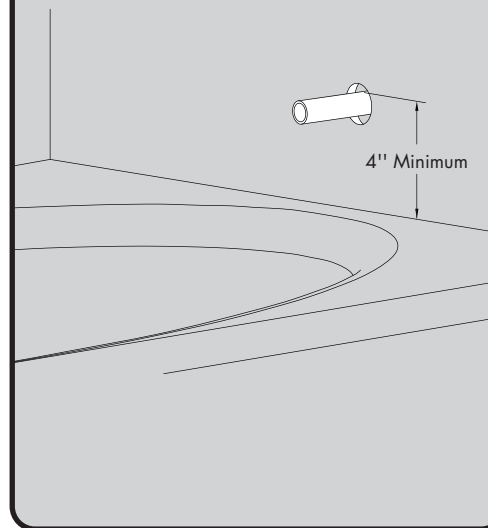
### WARRANTY



Additional warranty information can be found at: [www.speakman.com](http://www.speakman.com)

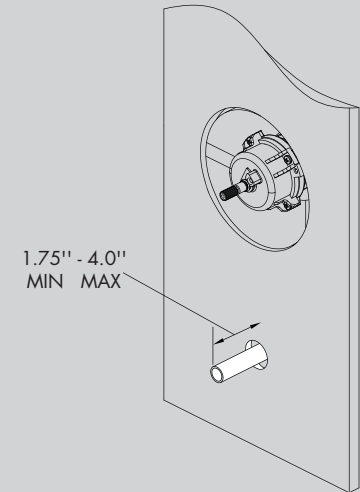
## 1

The minimum distance between the center of the tub spout and the rim of the tub should be no less than 4".



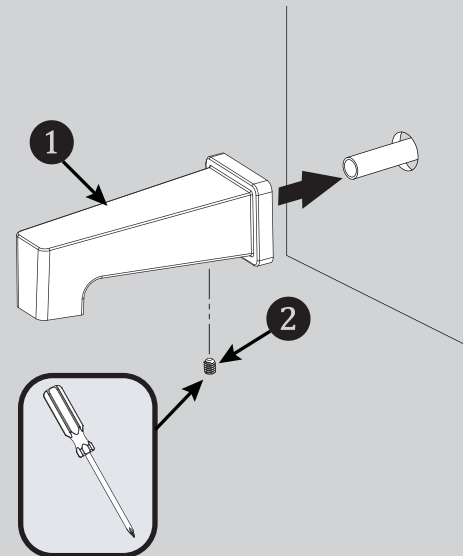
## 2

The stub out for the 1/2" pipe should extend a minimum of 1.75" from the wall, but not to exceed 4" from wall. Remove all burrs and sharp edges from the stub out 1/2" pipe.

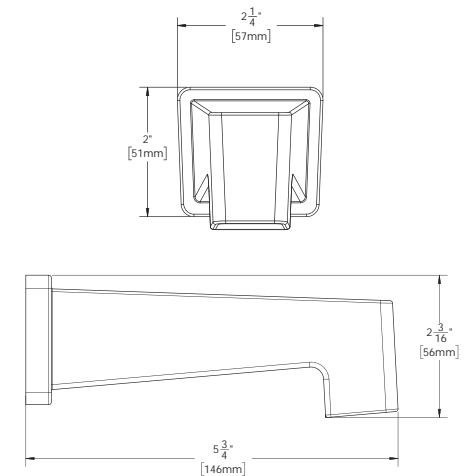


## 3

Slide Spout (1) over exposed stub out pipe until flush to wall. Center the Spout (1) on the wall and tighten Set Screw (2) from underneath with a Phillips Screwdriver.



## ROUGH-IN DIAGRAM



DIMENSIONS SUBJECT TO CHANGE WITHOUT NOTICE.

### NEED HELP?

For additional assistance or service please contact:

**SPEAKMAN**® Company  
400 Anchor Mill Road  
New Castle, DE 19720

800-537-2107

customerservice@speakman.com

[www.speakman.com](http://www.speakman.com)

92-S-1568-01