

**SPLITTER BOX, TYPE 1**

**INDUSTRY STANDARDS**

CSA C22.2 No. 76, File No. 42184: Type 1  
 NEMA/EEMAC Type 1  
 IEC 60529, IP30

**APPLICATION**

This box splits feeder circuit conductors into multiple branch circuit conductors and comes with pre-installed terminal blocks for three- and four-wire power distribution systems.

**FEATURES**

- Various numbers and sizes of combination knockouts are provided on all four sides: see Knockout Size and Spacing Table
- Hinged covers
- Mounting holes in back
- Includes single point ground lug
- Ground Splitter (ground bar) accessory available

**SPECIFICATIONS**

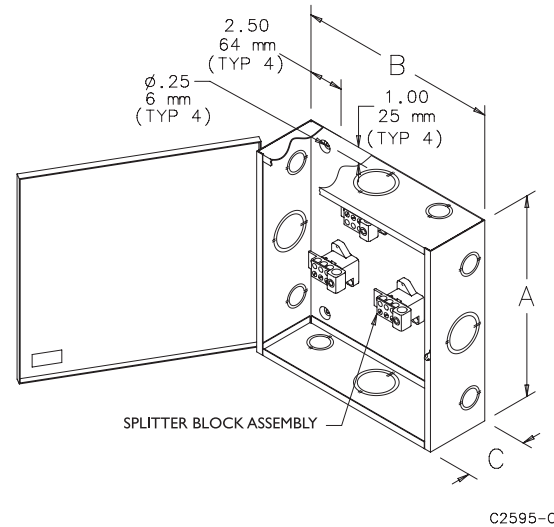
- 16 or 14 gauge steel

**FINISH**

ANSI 61 gray polyester powder paint finish inside and out

**ACCESSORIES**

*See also Accessories.*  
 Splitter Block Assemblies  
 Ground Splitter Bar  
 Touch-Up Paint

**BULLETIN: S90B**

**Standard Product Type 1 Splitter Box, 600 volt**

Catalog Number	AxBxC in.	AxBxC mm	Thickness (ga.)	Number of Wires	Main Lugs Amps CU	Main Lugs Wire Size Range	Main Lugs Qty.	Branch Lugs Amps CU	Branch Lugs Wire Size Range	Branch Lugs Qty.
ASB83R	12.00 x 12.00 x 4.00	305 x 305 x 102	16	3	85	14-1	1	55	14-6	3
ASB84R	12.00 x 12.00 x 4.00	305 x 305 x 102	16	4	85	14-1	1	55	14-6	3
ASB123R	12.00 x 12.00 x 4.00	305 x 305 x 102	16	3	125	14-2/0	1	110	14-2/0	3
ASB124R	12.00 x 12.00 x 4.00	305 x 305 x 102	16	4	125	14-2/0	1	110	14-2/0	3
ASB223R	16.00 x 16.00 x 5.00	406 x 406 x 127	16	3	225	6-300MCM	1	175	14-2/0	3
ASB224R	16.00 x 16.00 x 5.00	406 x 406 x 127	16	4	225	6-300MCM	1	175	14-2/0	3
ASB403R	22.00 x 22.00 x 6.00	559 x 559 x 152	14	3	400	4-600MCM	2	285	4-600MCM	2
ASB404R	22.00 x 22.00 x 6.00	559 x 559 x 152	14	4	400	4-600MCM	2	285	4-600MCM	2

**Knockout Size and Spacing from Outside Enclosure**

Amps Rating	Qty.	Knockout Size	Spacing (in.)	Spacing (mm)
85	21	1-3/4 - 2	2.00	51
		2 - 2-1/2	4.00	102
125	21	1-3/4 - 2	2.00	51
		2 - 2-1/2	4.00	102
225	21	1-3/4 - 2	2.00	51
		2-1/2 - 3	6.00	152
400	21	2 - 2-1/2	2.00	51
		3 - 3-1/2	6.00	152

Knockouts viewed from outside enclosure. Pattern and sizes same on all four sides.

**SPLITTER BOX BLOCK ASSEMBLIES**



**INDUSTRY STANDARDS**

CSA Certified

**ACCESSORIES**

Splitter Block Assemblies tap feeder branch circuits in splitter boxes and troughs. Each 600-volt block includes a main lug and branch lugs, together with copper/aluminum (CU/AL) connectors secured to insulators.

**BULLETIN: S90Y**

Catalog Number	Main Amps	Main Lug Qty.	Main Lug Wire Size Range	Branch Amps	Branch Lug Qty.	Branch Lug Wire Size Range
ASBB85	85	1	14-1	40	3	14-6
ASBB125	125	1	14-2/0	85	3	14-2/0
ASBB225	225	1	6-300MCM	125	3	14-2/0
ASBB400R	400	2	4-600MCM	225	2	4-600MCM

**SPLITTER TROUGH BLOCK ASSEMBLIES**



**INDUSTRY STANDARDS**

CSA Certified

**APPLICATION**

Splitter Block Assemblies tap feeder branch circuits in splitter boxes and troughs. Each 600-volt block includes a main lug and branch lugs, together with copper/aluminum (CU/AL) connectors secured to insulators.

**BULLETIN: S90Y**

Catalog Number	Main Amps	Main Lug Qty.	Main Lug Wire Size Range	Branch Amps	Branch Lug Qty.	Branch Lug Wire Size Range
ASTB85	85	1	14-1	40	6	14-6
ASTB125	125	1	14-1/0	85	6	14-2
ASTB225	225	1	6-300MCM	125	6	14-2/0
ASTB400	400	1:2	4-600MCM:1/0-250	125	4 + 2 <sup>A</sup>	6-4/0 and 14-3/0 <sup>A</sup>
ASTB600	600	2:4	4-600MCM:1/0-250	125	4 + 2 <sup>A</sup>	6-4/0 and 14-3/0 <sup>A</sup>

<sup>A</sup> Six total branch lugs: (4) 6-4/0 and (2) 14-3/0

**GROUND SPLITTER BAR**

**BULLETIN: S90Y**

Catalog Number	Depth in./mm	Lug Qty.	Wire Size Range	Application
ASG4	2.38 60	4	14-2/0	Splitter Box or Splitter Trough
ASG8	4.75 121	8	14-2/0	Splitter Trough

