

**OUTDOOR FILTER FAN AND EXHAUST PACKAGE**



**INDUSTRY STANDARDS**

cURus Type 12; File No. E234324

NEMA Type 3R  
IEC/EN60529, IP55  
CE

**FEATURES**

- Ball bearing axial fan, service life minimum 50,000 hours at 77 F (25 C) and 65 percent RH
- Airflow 11.8 CFM (20 cubic meters/hour) free blowing
- High-impact plastic is highly weatherproof and resistant to UV light
- Removable F5 filter
- Lockable door in hood
- Two-sided tape provided

- Filter hood permanently fixed to enclosure from inside
- 2 lead wires, 3.94-in. (100-mm) long, with pressure clamps, 14 gauge max. (2.5 mm)
- Synthetic filter material, temperature resistant to 212 F (100 C), self-extinguishing class F1, moisture resistant to 100 percent RH
- Filter mat: Fine grade F5 to DIN EN779 filtering degree: 98 percent of particles larger than 10 µm (10 microns)

**SPECIFICATIONS**

- Aluminum fan body, plastic impeller

**FINISH**

- Light gray plastic, UL94H-B

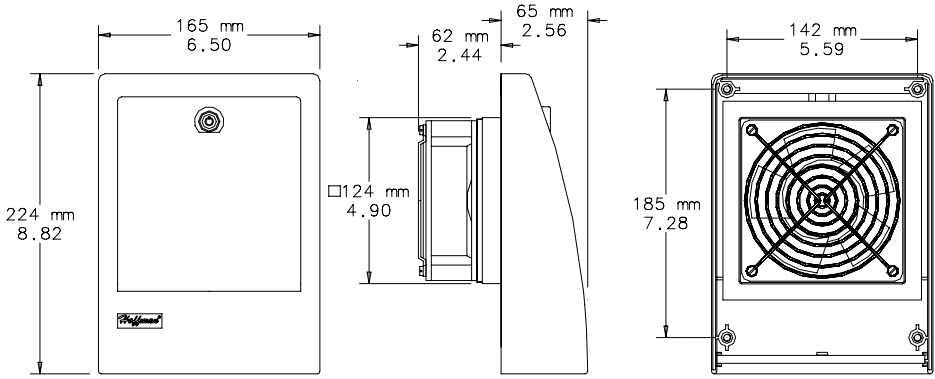
**NOTES**

This fan package meets basic requirements for outdoor or indoor applications that require warm air dissipation.

Performance Data Outdoor Filter Fan

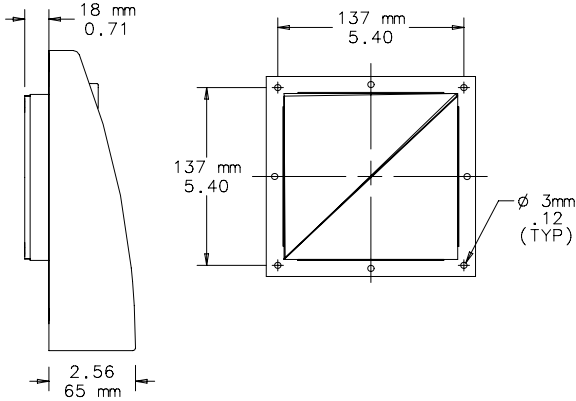
<b>ELECTRICAL DATA</b>	
Rated Voltage	120 VAC
Frequency (Hz)	60
Full Load (Amps)	0.3
<b>FILTER FAN</b>	
Catalog Number	AOFF118
<b>UNIT CONSTRUCTION</b>	
External Mounting Depth (in./mm)	2.56/65
Internal Mounting Depth (in./mm)	2.44/62
Enclosure Cutout (in./mm)	4.92 x 4.92 / 125 x 125
<b>EXHAUST GRILLE</b>	
Catalog Number	AOEFG118
<b>ACCESSORIES</b>	
Replacement Filters:	
Catalog Number	AOFILTER
Description	Filter Mat, F5 (3 per package)
Filter Size (in./mm)	4.80 x 4.80 / 122 x 122

Outdoor Filter Fan and Exhaust Package



87921431

FILTER FAN



EXHAUST FILTER

MOUNTING FRAME