

**RACK-MOUNTABLE FAN PACKAGE**



**INDUSTRY STANDARDS**

UL Component Recognized; File No. E61997

EIA RS-310-D  
 CSA certified  
 (blower motor only)

**APPLICATION**

For enclosure or 19-in. rack applications, the Blower Fan Package provides the maximum amount of cooling air in the least amount of space by utilizing 115 volt AC, 60/50 hertz, single-phase input power. Engineered for 20,000 hours of continuous operation when properly powered.

**FEATURES**

- Intake grille is easily removed with two captive thumbnuts
- Washable aluminum filter
- Single phase motor powers the statically balanced blower
- Motor is thermally protected and cooled by incoming forced air

- Direct drive induction motor contains permanently lubricated ball bearings
- Lubricant protects from -20 F to 298 F (-29 C to 148 C)
- Rotating components are suspended on neoprene shock-mounts
- Three-conductor power cord (five feet long)
- The unit is self-supporting with 16 gauge steel flanges notched per EIA RS-310-D.
- An exhaust grille and filter package (catalog number AEXGR275) is required and must be ordered separately

**SPECIFICATIONS**

- 16 gauge steel housing

**FINISH**

- Blower housing is black enamel.
- Grille is brushed stainless steel.

**ACCESSORIES**

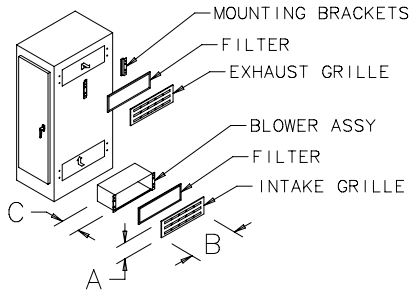
Exhaust Grilles and Replacement Filters  
 Rack-Mount Fan Speed Control  
 Filter Adhesive

**Performance Data Rack-Mountable Fan Package**

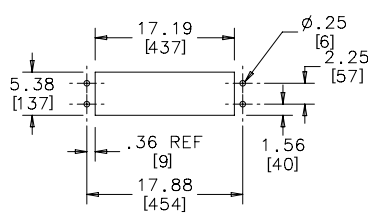
CATALOG NUMBERS	
	ADB275
ELECTRICAL DATA	
Rated Voltage	115
Frequency	50/60
Free Airflow (CFM)	230/275
RPM	2580/3100
Nominal Current Maximum (Amps)	1.2
Power Consumption (Watts)	84
SOUND LEVEL	
Sound Pressure (dBA)	56
UNIT CONSTRUCTION	
Height A (in./mm)	5.75/146
Width B (in./mm)	19.00/483
Depth C (in./mm)	7.25/184
Weight (lb./kg)	15/7
EXHAUST GRILLE CATALOG NUMBERS	
Catalog Number	AEXGR275

### Rack-Mountable Fan Package

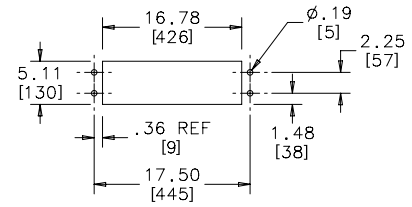
Mounting Cutout Dimensions



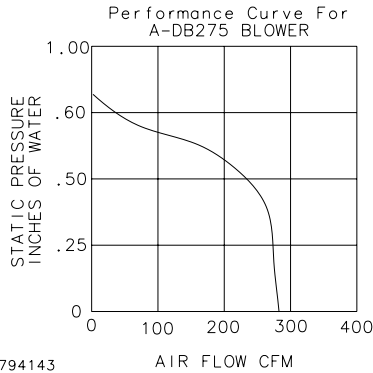
Blower Cutout



Exhaust Grille Cutout

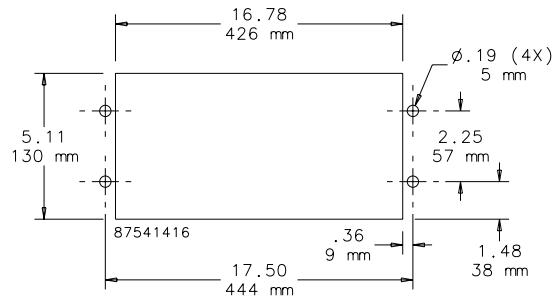
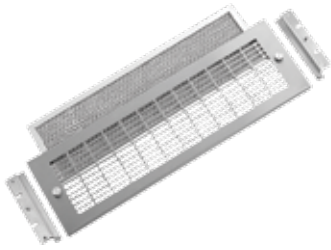


87541398



87794143

### EXHAUST GRILLES AND REPLACEMENT FILTERS



CUTOUT DIMENSIONS

AEXGR275	
<b>UNIT CONSTRUCTION</b>	
Dimensions H x W (in./mm)	5.75/146 x 19.00/483
Filter Size (in./mm)	4.98/126 x 16.56/421
<b>ACCESSORIES</b>	
Replacement Filters:	AFLTR275AL
Catalog Number	Aluminum Filter Replacement (5 per package)
Description	