

FILTER BOX FANS



INDUSTRY STANDARDS

| |
|---------------------|
| UL Recognized Motor |
|---------------------|

CSA Certified Motor

APPLICATION

Thermal filter boxes are high volume air movers that require minimal enclosure space. Repositionable mounting ears allow the fans to be mounted internally or externally, and used for either intake or exhaust.

FEATURES

- Inlet Guard
- Outlet Guard
- Power Cord
- 5-15 plug available on catalog numbers ending with "M" only
- Permanently lubricated ball bearing motors
- 100% functionally tested

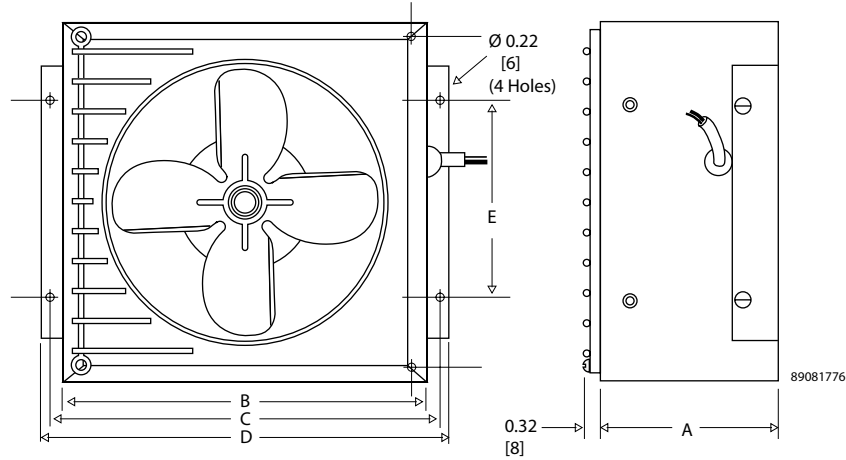
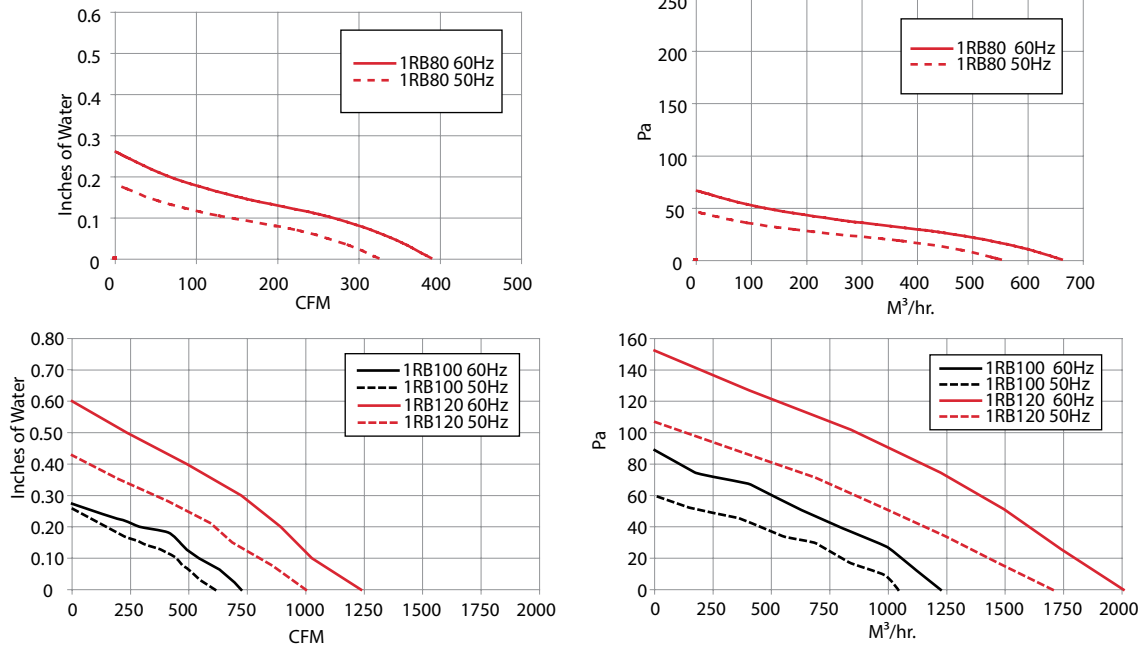
SPECIFICATIONS

- 115 VAC
- 50/60Hz

Performance Data Filter Box Fans

| ELECTRICAL DATA | | |
|--|-----------|-----------|
| Rated Voltage | 115 | 115 |
| Frequency (Hz) | 50/60 | 50/60 |
| Maximum Operating Temperature [°F/°C] | 104/40 | 104/40 |
| 1RB80 Models | | |
| Catalog Numbers | 1RB80 | 1RB80M |
| Free Airflow (CFM/M ³ /hr.) | 390/699 | 390/699 |
| RPM | 1600 | 1600 |
| Nominal Run Current Maximum (Amps) | 1.1 | 1.1 |
| Nominal Start Current Maximum (Amps) | 1.5 | 1.5 |
| Power Consumption (Watts) | 80 | 80 |
| Filter | N/A | Aluminum |
| Weight (lb./kg) | 10/4.5 | 10/4.5 |
| 1RB100 Models | | |
| Catalog Numbers | 1RB100 | 1RB100M |
| Free Airflow (CFM/M ³ /hr.) | 675/1147 | 675/1147 |
| RPM | 1600 | 1600 |
| Nominal Run Current Maximum (Amps) | 1.2 | 1.2 |
| Nominal Start Current Maximum (Amps) | 1.5 | 1.5 |
| Power Consumption (Watts) | 90 | 90 |
| Filter | N/A | Aluminum |
| Weight (lb./kg) | 12/5.4 | 12/5.4 |
| 1RB120 Models | | |
| Catalog Numbers | 1RB120 | 1RB120M |
| Free Airflow (CFM/M ³ /hr.) | 1200/2151 | 1200/2151 |
| RPM | 1500 | 1500 |
| Nominal Run Current Maximum (Amps) | 1.5 | 1.5 |
| Nominal Start Current Maximum (Amps) | 2.5 | 2.5 |
| Power Consumption (Watts) | 160 | 160 |
| Filter | N/A | Aluminum |
| Weight (lb./kg) | 24/10.8 | 24/10.8 |

Performance Curves Filter Box



Design Data Filter Box

| CATALOG NUMBERS | A in./mm | B in./mm | C in./mm | D in./mm | E in./mm |
|-----------------|-------------|-------------|-------------|-------------|-------------|
| 1RB80 | 4.50/114 | 8.88/226 | 9.56/243 | 10.13/257 | 4.88/124 |
| 1RB80M | 4.50/114 | 8.88/226 | 9.56/243 | 10.13/257 | 4.88/124 |
| 1RB100 | 4.50/114 | 12.13/308 | 12.81/325 | 13.38/340 | 6.13/156 |
| 1RB100M | 4.50/114 | 12.13/308 | 12.81/325 | 13.38/340 | 6.13/156 |
| 1RB120 | 7.38/187 | 15.13/384 | 15.81/402 | 16.38/416 | 9.00/229 |
| 1RB120M | 7.38/187 | 15.13/384 | 15.81/402 | 16.38/416 | 9.00/229 |