

CONTINUOUS HINGE WITH CLAMPS, EMC, TYPE 4X

INDUSTRY STANDARDS

UL 508A Listed; Type 4, 4X, 12; File No. E61997
 cUL Listed per CSA C22.2 No 94; Type 4, 4X, 12; File No. E61997

NEMA/EEMAC Type 3, 4, 4X, 12, 13
 CSA File No. 42186: Type 4, 4X, 12
 IEC 60529, IP66

APPLICATION

Ideal for indoor or outdoor EMC applications to contain larger controls in corrosive environments. Features a stainless steel, woven-mesh encased gasket to keep out contaminants and provide EMI/RFI shielding to internal components.

SPECIFICATIONS

- 14 gauge Type 304 stainless steel bodies and doors
- Seams continuously welded and ground smooth
- Seamless foam-in-place gasket adjacent to woven monel EMC mesh gasket
- Rolled lip around three sides of door
- Stainless steel door clamp assemblies
- Hasp and staple for padlocking
- Removable door with continuous hinge
- Data pocket is high impact thermoplastic
- Collar studs provided for mounting optional panels
- Bonding provision on door; grounding stud on body

FINISH

Door, sides, top and bottom have a smooth brushed #4 finish.

ACCESSORIES

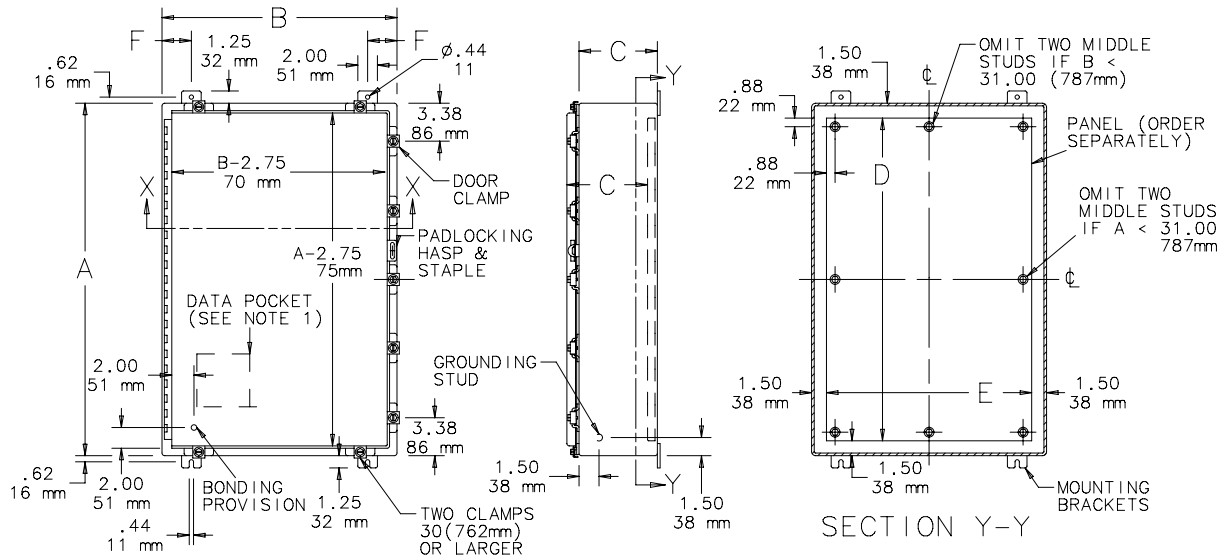
Fast-Operating Clamp Assembly
 PANELITE Enclosure Lights
 Panels for Type 3R, 4, 4X, 12 and 13 Enclosures
 Rack Mounting Angle Kit - L Style
 Junction Box and Wall-Mount Enclosure Swing-Out Panel Kit
 Terminal Block Kit Assembly for Junction Boxes

BULLETIN: A4SEM

Standard Product

Catalog Number	AxBxC in./mm	Conductive Steel Panel	Panel Size D x E in./mm	F in./mm	Clamps Qty.	Data Pocket
A161206LPEMCSS	16.00 x 12.00 x 6.00 406 x 305 x 152	A16P12G	13.00 x 9.00 330 x 229	1.25 32	4	Small
A201606LPEMCSS	20.00 x 16.00 x 6.00 508 x 406 x 152	A20P16G	17.00 x 13.00 432 x 330	3.00 76	4	Small
A242006LPEMCSS	24.00 x 20.00 x 6.00 610 x 508 x 152	A24P20G	21.00 x 17.00 533 x 432	3.00 76	5	Small
A242408LPEMCSS	24.00 x 24.00 x 8.00 610 x 610 x 203	A24P24G	21.00 x 21.00 533 x 533	3.00 76	5	Small
A302408LPEMCSS	30.00 x 24.00 x 8.00 762 x 610 x 203	A30P24G	27.00 x 21.00 686 x 533	3.00 76	5	Large
A363008LPEMCSS	36.00 x 30.00 x 8.00 914 x 762 x 203	A36P30G	33.00 x 27.00 838 x 686	3.00 76	7	Large
A483608LPEMCSS	48.00 x 36.00 x 8.00 1219 x 914 x 203	A48P36G	45.00 x 33.00 1143 x 838	3.00 76	8	Large
A603612LPEMCSS	60.00 x 36.00 x 12.00 1524 x 914 x 305	A60P36G	57.00 x 33.00 1448 x 838	3.00 76	9	Large

Purchase panels separately. Optional conductive, mild steel, stainless steel, aluminum and composite panels are available for most sizes. See Accessories.



87575761

Stainless Steel Type 4X Enclosure Shielding Effectiveness

A302408LPEMCSS Shielded Enclosure Compared to A30H2408SSLP Standard Enclosure

