

UTILITY JUNCTION (UJ) CABINETS



INDUSTRY STANDARDS

ANSI C57.12.28 Pad-Mounted Equipment Enclosure Integrity
RUS Approved

APPLICATION

Enclosures provide sectionalizing and tap-point functionality for underground distribution systems. Available in a wide variety of single- and three-phase models, these enclosures are rated 15 and 25 KV at 200 or 600 amperes and will accept two-, three- and four-way junctions from all manufacturers.

FEATURES

- Recessed stainless steel penta-head bolt with padlock security system standard on all models
- 5/8-11 threaded lifting provisions
- Wind stop standard on all models (two stops provided if B dimension is greater than or equal to 42-in.)
- Ground nut for each phase
- Full range of modifications available on request

SPECIFICATIONS

- Welded 12 gauge steel or .125 aluminum construction (stainless steel available as a modification)
- When ordering UJ cabinets, customer may specify multiple mounting panel options, including mild steel, galvanized and stainless steel (panels must be purchased separately)

FINISH

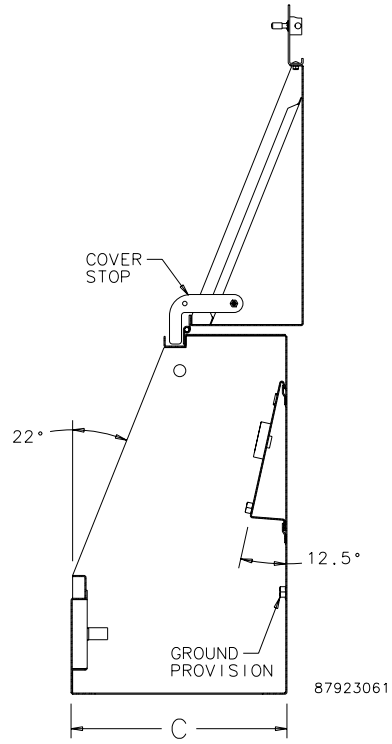
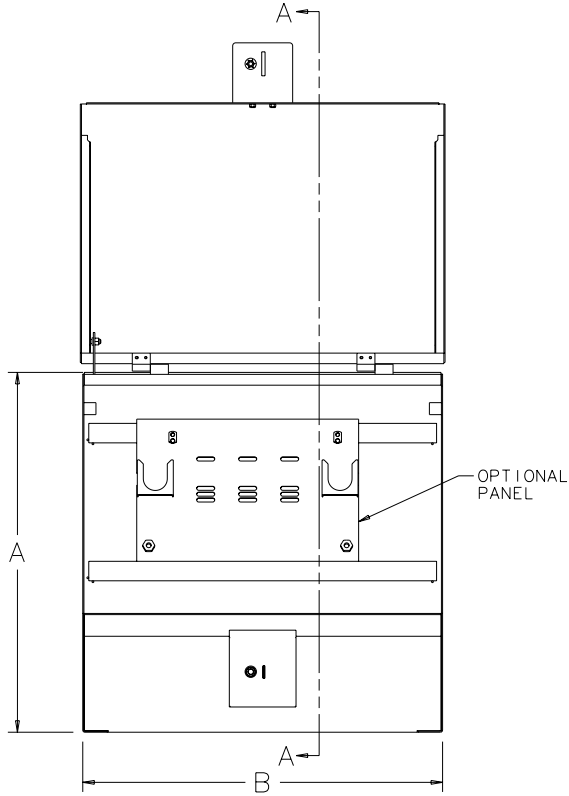
- Munsell Green 7GY3.29/1.5 polyester powder paint finish inside and out over pretreated surfaces
- Mounting panels have white polyester powder paint over pretreated surfaces

BULLETIN: UJ

Standard Product Enclosures

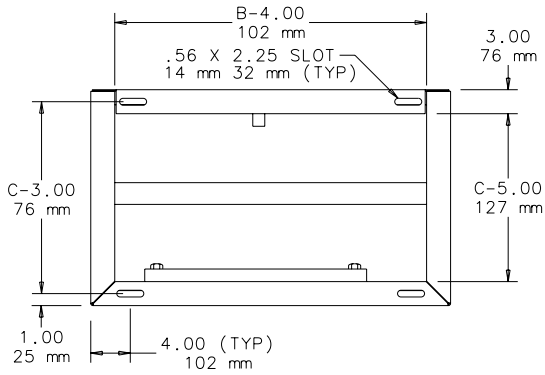
Catalog Number	AxBxC in.	AxBxC mm	Material	Recommended Panel Qty.	Recommended Panel Style
UJ303018M2	30.00 x 30.00 x 18.00	762 x 762 x 457	Steel	1	B or D
UJ303019M2	30.00 x 30.00 x 19.00	762 x 762 x 483	Steel	1	B or D
UJ303023M2	30.00 x 30.00 x 23.00	762 x 762 x 584	Steel	1	B or D
UJ303024M2	30.00 x 30.00 x 24.00	762 x 762 x 610	Steel	1	B or D
UJ304824M2	30.00 x 48.00 x 24.00	762 x 1219 x 610	Steel	2	B or D
UJ306018M2	30.00 x 60.00 x 18.00	762 x 1524 x 457	Steel	3	A or C
UJ306424M2	30.00 x 64.00 x 24.00	762 x 1626 x 610	Steel	1,2	A or C, B or D
UJ306623M2	30.00 x 66.00 x 23.00	762 x 1676 x 584	Steel	1,2	A or C, B or D
UJ306724M2	30.00 x 67.00 x 24.00	762 x 1702 x 610	Steel	3	B or D
UJ307424M2	30.00 x 74.00 x 24.00	762 x 1880 x 610	Steel	3	B or D
UJ307622M2	30.00 x 76.00 x 22.00	762 x 1930 x 559	Steel	3	B or D
UJ482618M2	48.00 x 26.00 x 18.00	1219 x 660 x 457	Steel	1	B or D
UJ303018A	30.00 x 30.00 x 18.00	762 x 762 x 457	Aluminum	1	B or D
UJ306018A	30.00 x 60.00 x 18.00	762 x 1524 x 457	Aluminum	3	A or C
UJ306723A	30.00 x 67.00 x 23.00	762 x 1702 x 584	Aluminum	3	B or D

Single-Phase Enclosure

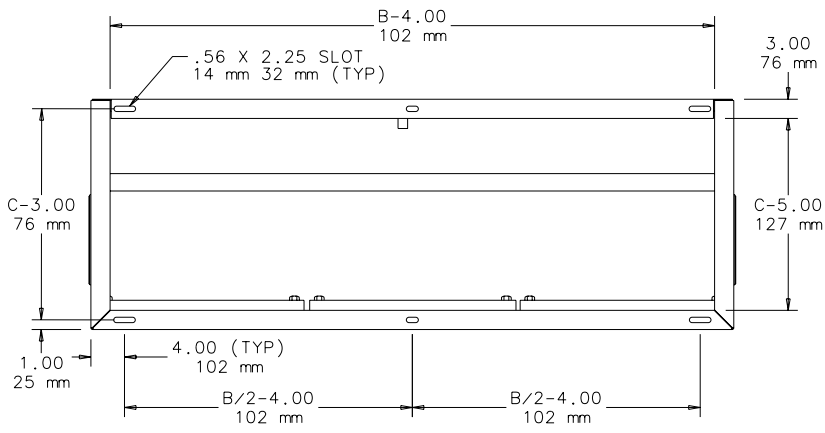
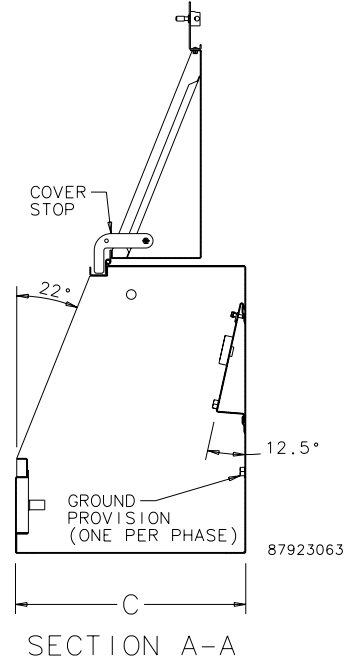
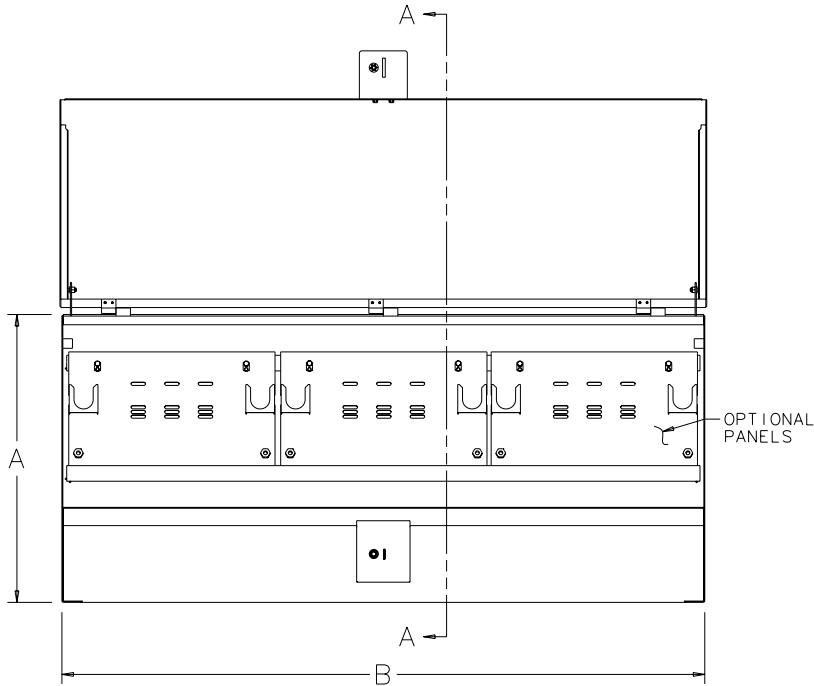


87923061

SECTION A-A



Three-Phase Enclosure



Standard Panels

Catalog Number	AxBxC in.	AxBxC mm	Panel Material	Style	No. of Parking Stands
UJP1M	11.66 x 18.50	296 x 470	Mild Steel	A	1
UJP2M	11.66 x 21.50	296 x 546	Mild Steel	B	2
UJP1MOFF	11.66 x 18.50	296 x 470	Mild Steel	C	1
UJP2MOFF	11.66 x 21.50	296 x 546	Mild Steel	D	2
UJP1G	11.66 x 18.50	296 x 470	Galvanneal	A	1
UJP2G	11.66 x 21.50	296 x 546	Galvanneal	B	2
UJP1GOFF	11.66 x 18.50	296 x 470	Galvanneal	C	1
UJP2GOFF	11.66 x 21.50	296 x 546	Galvanneal	D	2
UJP1SS	11.66 x 18.50	296 x 470	Stainless Steel	A	1
UJP2SS	11.66 x 21.50	296 x 546	Stainless Steel	B	2
UJP1SSOFF	11.66 x 18.50	296 x 470	Stainless Steel	C	1
UJP2SSOFF	11.66 x 21.50	296 x 546	Stainless Steel	D	2

