

**SYSPEND 281-MAX SUSPENSION SYSTEM, TYPE 12**



**INDUSTRY STANDARDS**

*Maintains NEMA Type 12 and IEC IP55 enclosure rating when properly installed per nVent HOFFMAN instructions.*

**APPLICATION**

Variability in system configuration, advanced design and ease of assembly are key requirements when specifying an enclosure suspension system. The Syspend 281-Max features a modern industrial design, excellent ergonomics and multiple component combinations for an innovative system solution on a modular platform. At 3.3 ft. (1 m) the system supports up to 281 lb. (127.7 kg). Recommended for use with Syspend Aluminum HMI and Concept HMI enclosures.

**FEATURES**

- System supports up to 281 lb. and allows operators to easily move controls into and out of position
- Multiple modular components available to provide ergonomic, fatigue-free operation
- Clean lines and smooth transitions between tubes and system components provide attractive aesthetics and allow for ease of cleaning
- Tubing provides structural integrity and acts as equipment wiring conduit

- Vertical motion pedestal tubes provide versatile, height-adjustable solutions for pedestal mounting
- Secure attachment with sixfold positive connection between tubes and components along with recessed mounting areas in components; no additional safety drilling required
- Secure connections and easy adjustment of system alignment using tube setscrews, coated with LOCTITE, that seal threaded holes
- System design allows for user friendly readjustment at any time without disassembling the complete system
- Cable access covers available on all components
- Multiple tube lengths offer system design versatility
- Heavy-duty bearings in all movable joints for convenient, smooth operation and enhanced durability to withstand stresses of repeated use
- Variable torque adjustment available for all rotating components; general adjustment at the bearing with locking handle adjustment on enclosure couplings

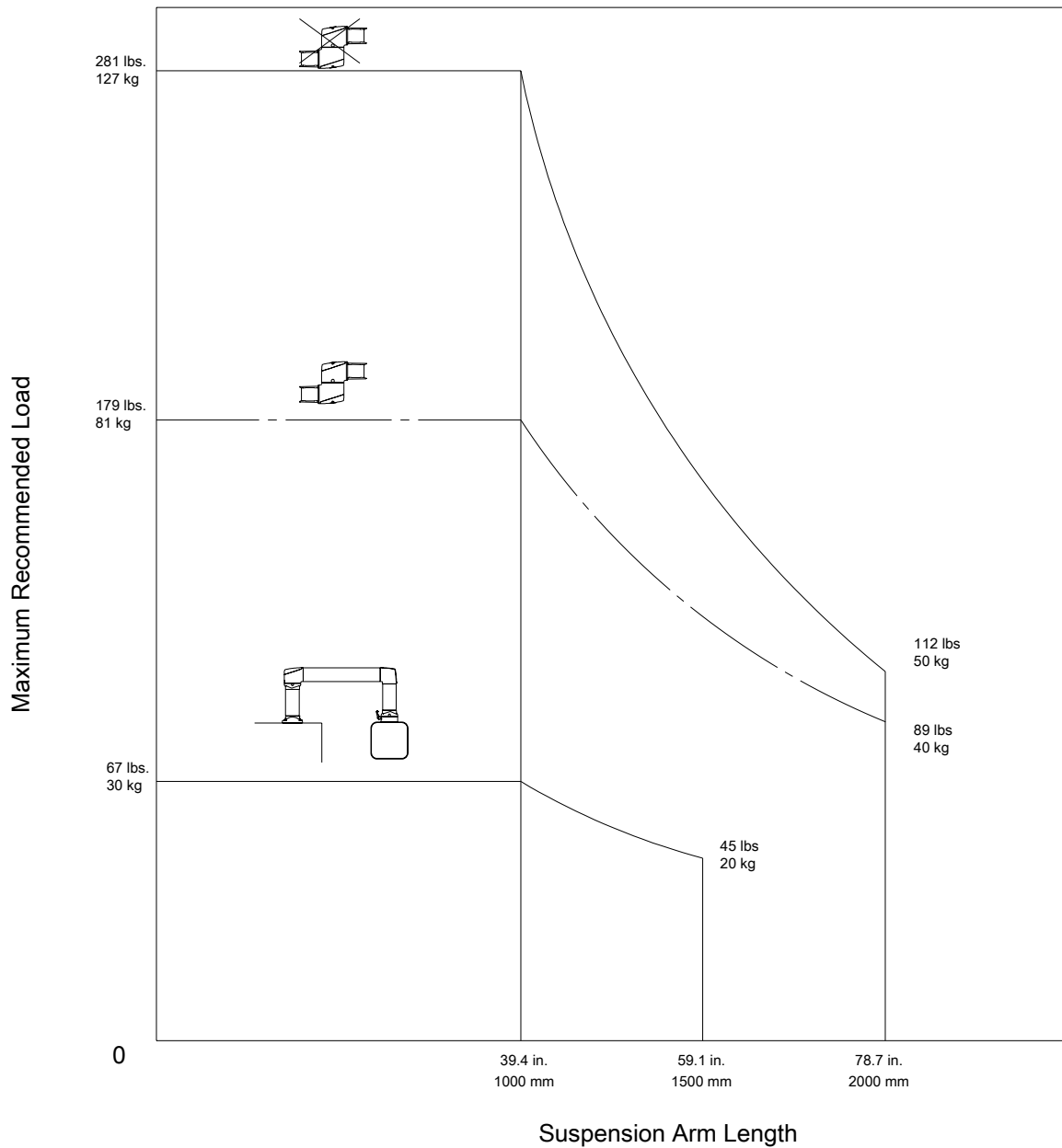
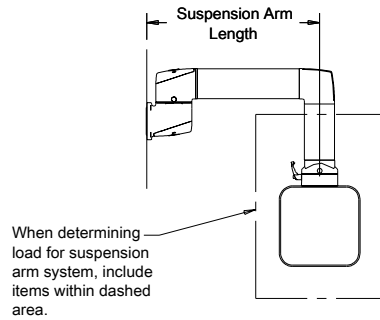
**SPECIFICATIONS**

- Silver anodized aluminum tubes
- RAL 9005 black die-cast aluminum components
- Gray composite cable access covers
- Oil-resistant neoprene gaskets

### SYSTEM LOAD CAPACITY

The Syspend 281-Max load graph is the result of load capacity tests. Please contact nVent HOFFMAN for specific application information.

Load Diagram



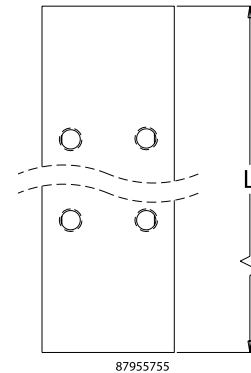
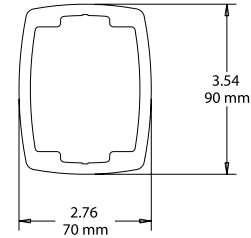
87957267



Angled aluminum tubes provide structural integrity and act as conduit for equipment wiring. Tubes attach to system components with 6 setscrews on each end of the tube. (Setscrews are provided with the mating system components, not the tubes.) Setscrews allow for easy adjustment and leveling of the system. Setscrews are provided with LOCTITE to seal threaded holes and provide secure connections. Available in 8 standard lengths ranging from 250 mm to 2000 mm. Tubes 750 mm and longer include drilling template to assist with drilling and tapping the holes when the tube is cut to length.

**BULLETIN: CS4**

| Catalog Number | L (mm) | L (in.) | Weight (lb.) |
|----------------|--------|---------|--------------|
| S2MT250        | 250    | 9.84    | 2.8          |
| S2MT500        | 500    | 19.68   | 5.4          |
| S2MT750        | 750    | 29.53   | 8.2          |
| S2MT1000       | 1000   | 39.37   | 11.0         |
| S2MT1250       | 1250   | 49.21   | 13.7         |
| S2MT1500       | 1500   | 59.05   | 16.5         |
| S2MT1750       | 1750   | 68.90   | 19.3         |
| S2MT2000       | 2000   | 78.74   | 22.0         |



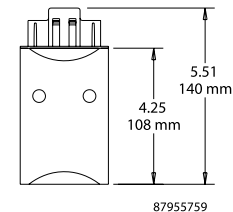
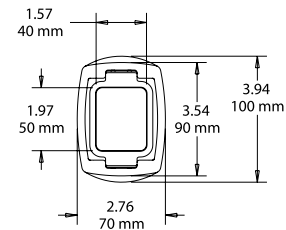
**TUBE ADAPTER**



Use a Tube Adapter when the tube is cut to length and it is not desirable to drill and tap new holes in the tube. Adapter attaches to the tube with internal setscrews and provides mounting holes at the end where the tube was cut. RAL 9005 black finish. Die-cast aluminum construction. Includes installation instructions, gasket and hardware for attaching to the tube.

**BULLETIN: CS4**

| Catalog Number | Weight (lb.) |
|----------------|--------------|
| S2MTA          | 1.6          |

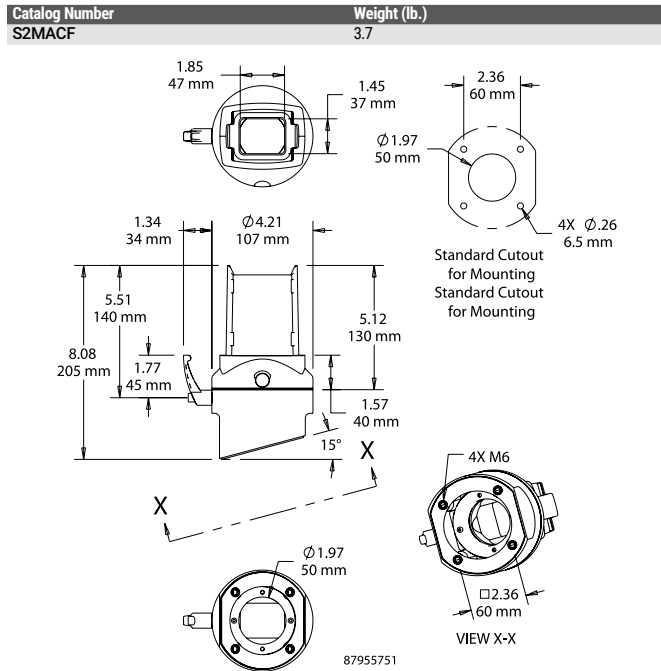
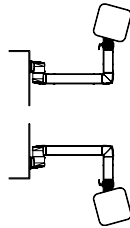


### ANGLED COUPLING TILTED FORWARD



Use Angled Coupling Tilted Forward to mount enclosure at a 15-degree forward angle. Enclosure can be rotated 300 degrees and locked in position. Includes safety stop and maintenance-free bearing. RAL 9005 black finish. Die-cast aluminum construction. Includes installation instructions, gaskets, tube setscrews and enclosure mounting hardware.

**BULLETIN: CS4**

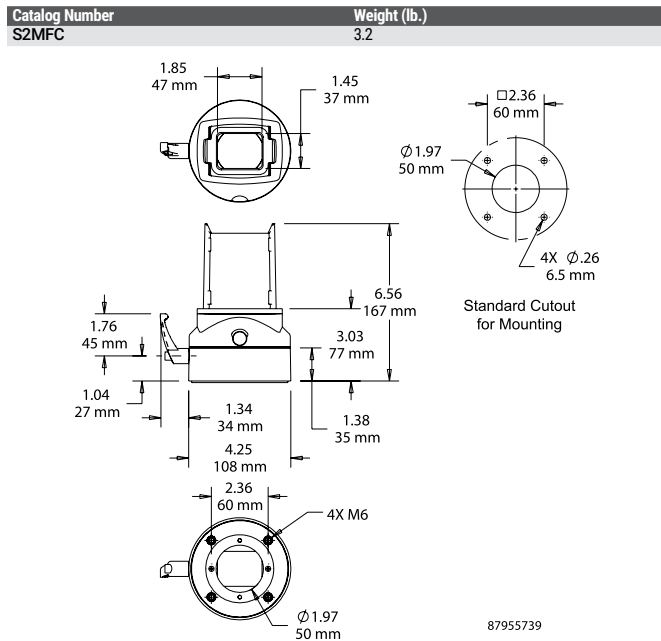
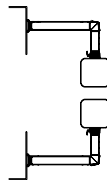


### FLANGE COUPLING



Flange Coupling attaches a tube to the enclosure, enabling 300-degree enclosure rotation. Enclosure can be locked in position. Flange Coupling has safety stop and maintenance-free bearing. RAL 9005 black finish. Die-cast aluminum construction. Includes installation instructions, gaskets, tube setscrews and enclosure mounting hardware.

**BULLETIN: CS4**

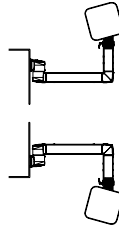


**ANGLED COUPLING TILTED BACK**

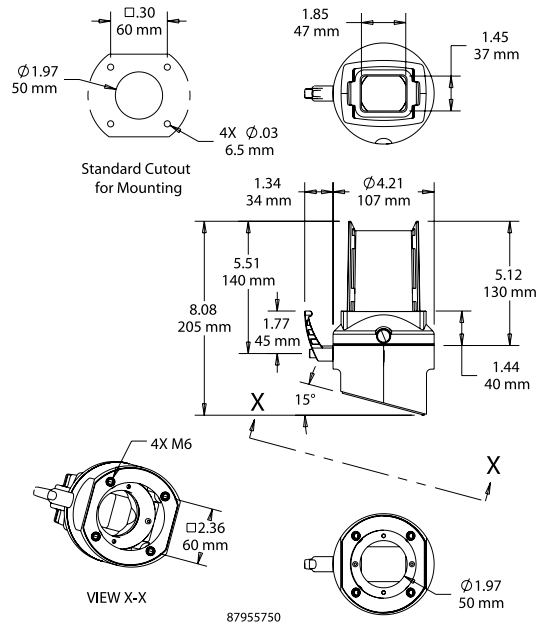


Use Angled Coupling Tilted Backward to mount enclosure at a 15-degree backward angle. Enclosure can be rotated 300 degrees and locked in position. Includes safety stop and maintenance-free bearing. RAL 9005 black finish. Die-cast aluminum construction. Includes installation instructions, gaskets, tube setscrews and enclosure mounting hardware.

**BULLETIN: CS4**



| Catalog Number | Weight (lb.) |
|----------------|--------------|
| S2MACB         | 3.7          |

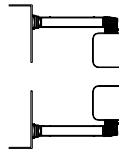


**FLANGE ELBOW COUPLING**

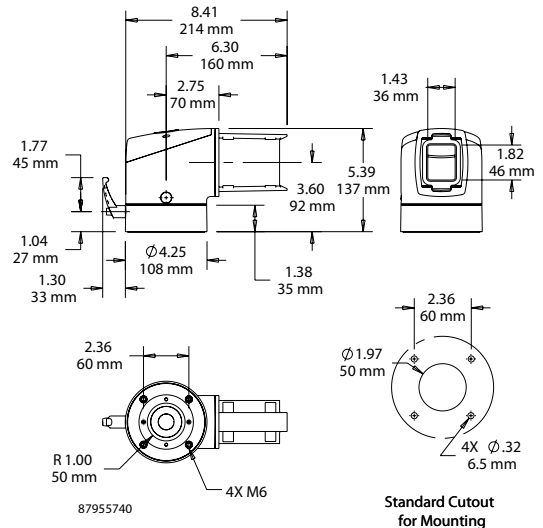


Flange Elbow Coupling attaches directly to the enclosure for applications where a vertical tube is not required. Enables enclosure to be rotated 300 degrees and locked in position. Includes safety stop and maintenance-free bearing. RAL 9005 black finish. Die-cast aluminum construction. Includes cable access cover, installation instructions, gaskets, tube setscrews and enclosure mounting hardware.

**BULLETIN: CS4**



| Catalog Number | Weight (lb.) |
|----------------|--------------|
| S2MFEC         | 4.6          |



**BASE COUPLING**

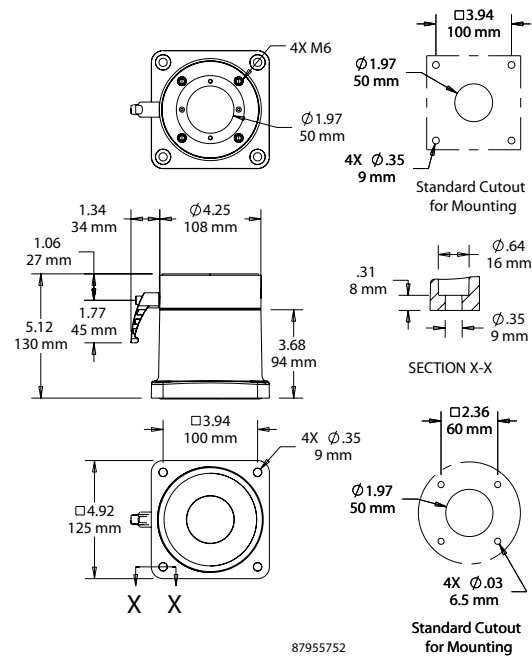


Base Coupling attaches the enclosure directly to a horizontal surface. Enclosure can be rotated 300 degrees and locked in position. Includes safety stop and maintenance-free bearing. RAL 9005 black finish. Die-cast aluminum construction. Includes installation instructions, gaskets and enclosure mounting hardware. Surface mounting hardware not provided.

**BULLETIN: CS4**



| Catalog Number | Weight (lb.) |
|----------------|--------------|
| S2MBC          | 4.7          |

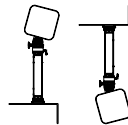


**ANGLED ADAPTER, STEPLESS 30 DEGREES**

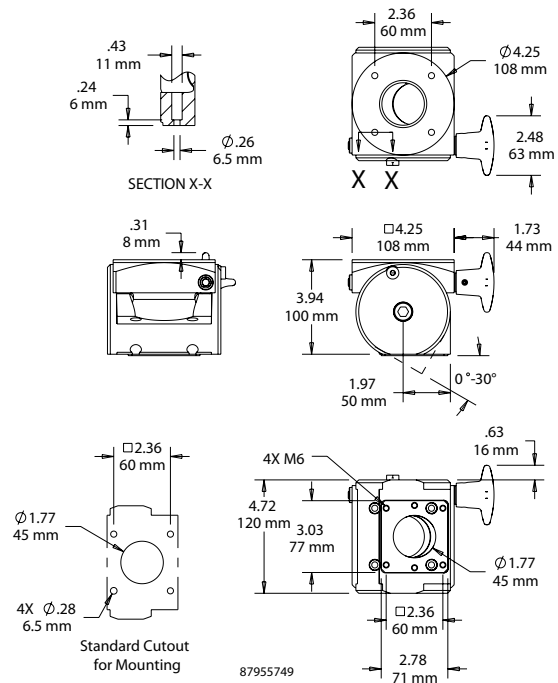


Angled Adapter must be used in conjunction with a coupling (not compatible with S2MFC48). Enclosure angle can be adjusted forward or backward up to 30 degrees. RAL 9005 black finish. Die-cast aluminum construction. Includes installation instructions, gasket and enclosure mounting hardware. **Maximum load bearing capacity is 67 lb. (30.4 kg).**

**BULLETIN: CS4**



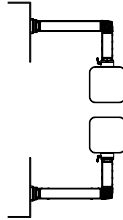
| Catalog Number | Weight (lb.) |
|----------------|--------------|
| S2MAA          | 4.1          |



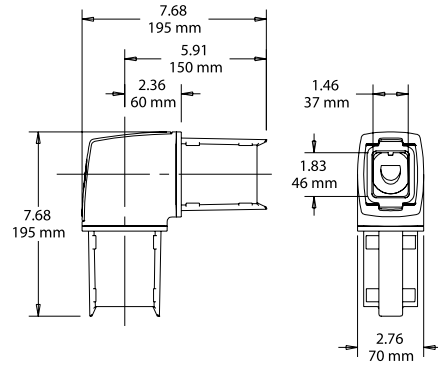


Elbow provides a 90-degree bend in the suspension system. RAL 9005 black finish. Die-cast aluminum construction. Includes removable cable access cover, installation instructions, gaskets and tube setscrews.

**BULLETIN: CS4**



| Catalog Number | Weight (lb.) |
|----------------|--------------|
| S2ME           | 3.7          |



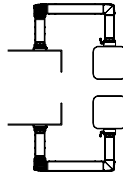
87955746

**ROTATABLE ELBOW**

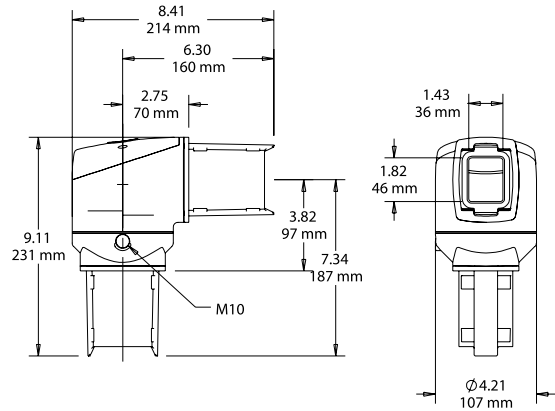


Rotatable elbow provides a 90-degree bend in the suspension system and allows the vertical tube to rotate 300 degrees. Includes safety stop and maintenance-free bearing. RAL 9005 black finish. Die-cast aluminum construction. Includes removable cable access cover, installation instructions, gaskets and tube setscrews.

**BULLETIN: CS4**



| Catalog Number | Weight (lb.) |
|----------------|--------------|
| S2MER          | 5.4          |



87955747

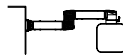
**INTERMEDIATE JOINT**



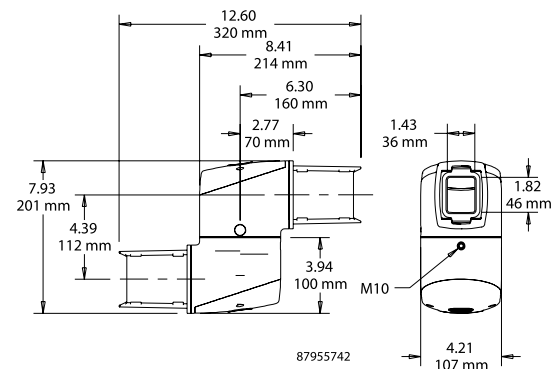
Use Intermediate Joint to join two horizontal tubes together for a longer run. Arm can be rotated or turned 300 degrees. Includes safety stop and maintenance-free bearing. RAL 9005 black finish. Die-cast aluminum construction. Includes two removable cable access covers, installation instructions, gaskets and tube setscrews.

*Use of the Intermediate Joint reduces the system load capacity to 179 lb. (81.2 kg) at 3.3 ft. (1 m).*

**BULLETIN: CS4**



| Catalog Number | Weight (lb.) |
|----------------|--------------|
| S2MIJ          | 6.5          |



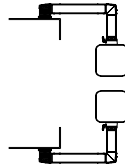
87955742

**SET-UP JOINT**

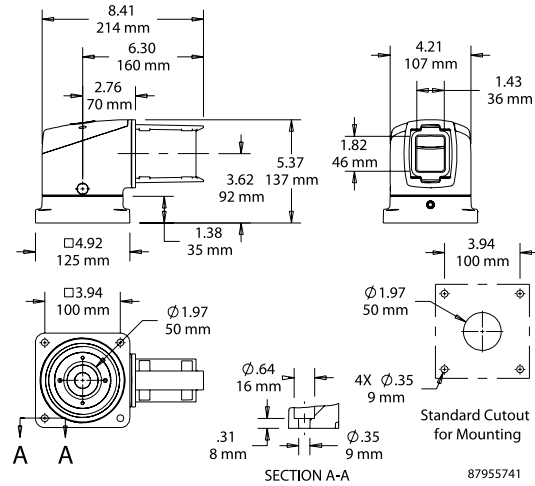


Set-Up Joint mounts suspension system to a horizontal surface. Arm can be rotated or turned 300 degrees. Includes safety stop and maintenance-free bearing. RAL 9005 black finish. Die-cast aluminum construction. Includes removable cable access cover, installation instructions, gaskets and tube setscrews. Surface mounting hardware not provided.

**BULLETIN: CS4**



| Catalog Number | Weight (lb.) |
|----------------|--------------|
| S2MSJ          | 5.0          |

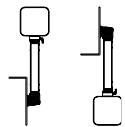


**VERTICAL WALL JOINT**

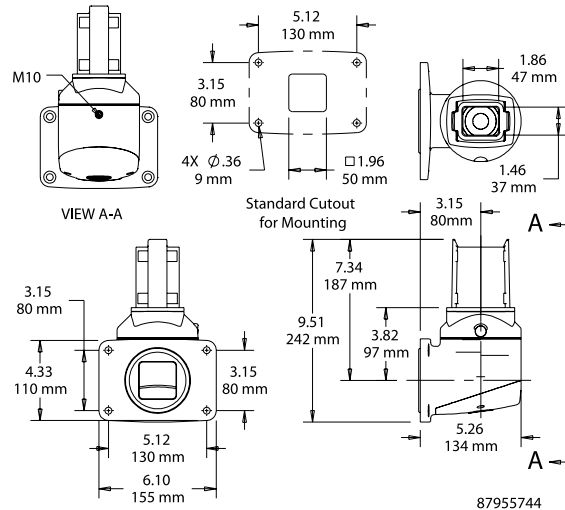


Vertical Wall Joint mounts suspension system to vertical surface and allows tube to extend vertically. Enables arm to be rotated or turned 300 degrees. Includes safety stop and maintenance-free bearing. RAL 9005 black finish. Die-cast aluminum construction. Includes removable cable access cover, installation instructions, gaskets and tube setscrews. Surface mounting hardware not provided.

**BULLETIN: CS4**



| Catalog Number | Weight (lb.) |
|----------------|--------------|
| S2MWJV         | 5.4          |





**HORIZONTAL WALL JOINT**

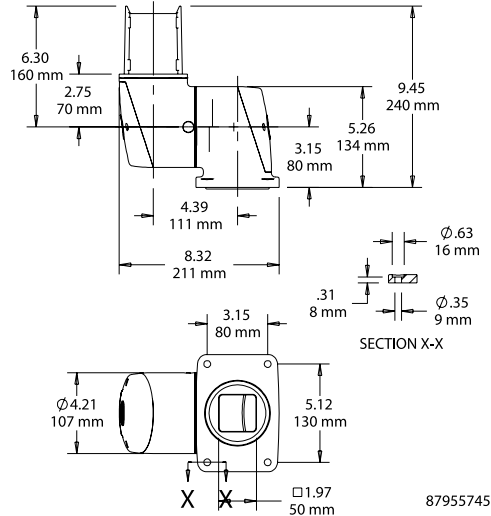
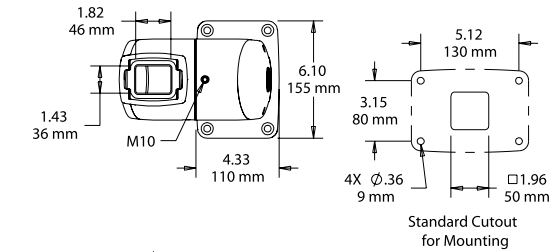


Horizontal Wall Joint mounts suspension system to vertical surface, allowing tube to extend horizontally. Arm can be rotated or turned 300 degrees. Includes safety stop and maintenance-free bearing. RAL 9005 black finish. Die-cast aluminum construction. Includes two removable cable access covers, installation instructions, gaskets and tube setscrews. Surface mounting hardware not provided.

**BULLETIN: CS4**



| Catalog Number | Weight (lb.) |
|----------------|--------------|
| S2MWJH         | 6.4          |



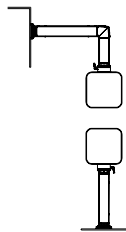
87955745

**WALL FLANGE**

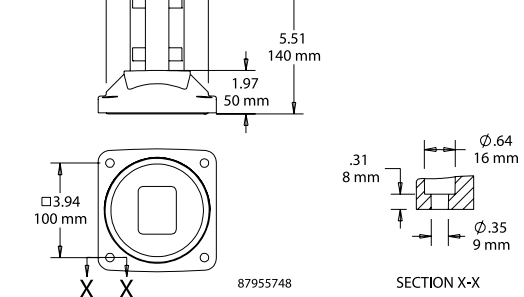
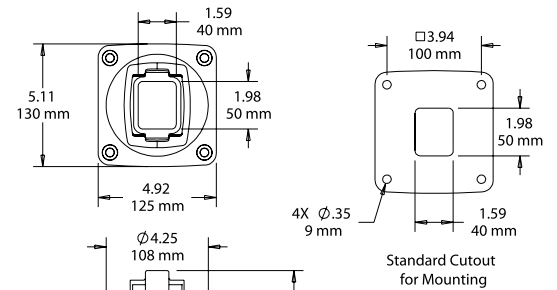


Wall Flange allows for fixed positioning on a horizontal or vertical surface when rotation is not needed. RAL 9005 black finish. Die-cast aluminum construction. Includes installation instructions, gaskets and tube setscrews. Surface mounting hardware not provided.

**BULLETIN: CS4**



| Catalog Number | Weight (lb.) |
|----------------|--------------|
| S2MWF          | 2.8          |



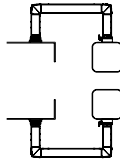
87955748

### ROTARY BASE

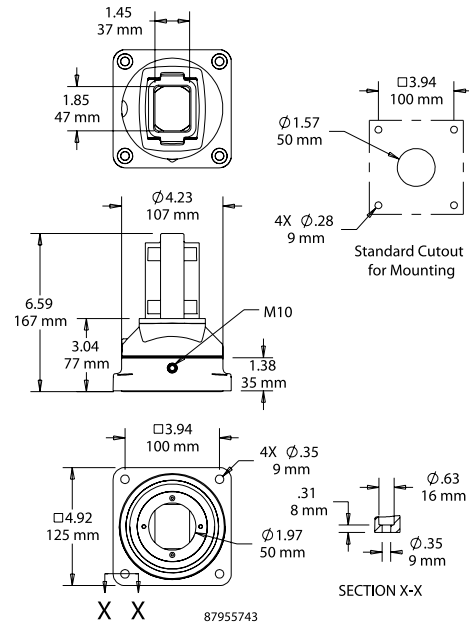


Rotary Base allows the entire suspension system to rotate at the point of attachment on a horizontal surface. Arm can be rotated or turned 300 degrees. Includes safety stop and maintenance-free bearing. RAL 9005 black finish. Die-cast aluminum construction. Includes installation instructions, gaskets and tube setscrews. Surface mounting hardware not provided.

**BULLETIN: CS4**



| Catalog Number | Weight (lb.) |
|----------------|--------------|
| S2MRB          | 3.9          |



### 48-MM ROUND TUBE FLANGE COUPLING AND ADAPTER



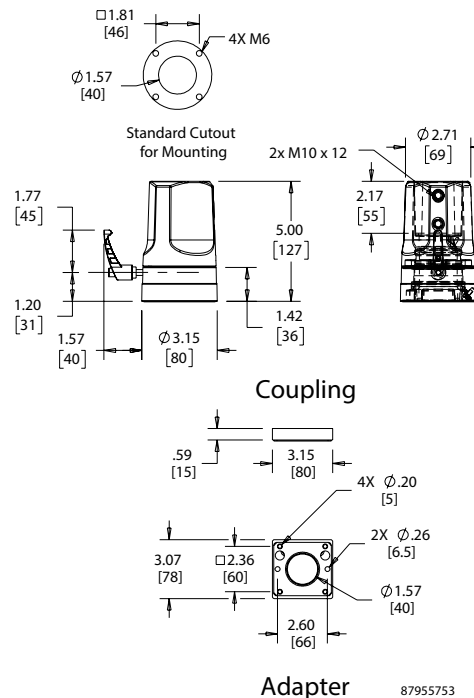
Use Flange Coupling to attach the Vertical Motion Pedestal Tube to the enclosure. Enclosure can be rotated 300 degrees and locked in position. Includes safety stop and maintenance-free bearing. RAL 9005 black finish. Die-cast aluminum construction. Includes installation instructions, gaskets and enclosure mounting hardware.

Coupling attaches to enclosure using a 48 x 48-mm hole pattern. An adapter is required to attach the coupling to a standard nVent HOFFMAN HMI enclosure that uses a 60 x 60-mm hole pattern (i.e., required for attaching to Concept HMI, CC2000, CC4000). Includes safety stop and maintenance-free bearing. RAL 9005 black finish. Die-cast aluminum construction. Includes installation instructions, gaskets and enclosure mounting hardware.

**BULLETIN: CS4**



| Catalog Number | Description  | Weight (lb.) |
|----------------|--|--------------|
| S2MFC48        | Flange Coupling<br>(Requires use of S2MA48 for enclosure with 60 x 60-mm hole pattern) | 3.9          |
| S2MA48         | Adapter  | 0.2          |



## VERTICAL MOTION PEDESTAL TUBES

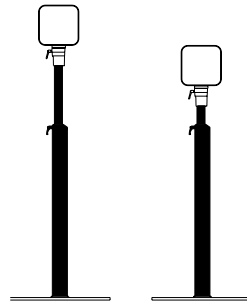
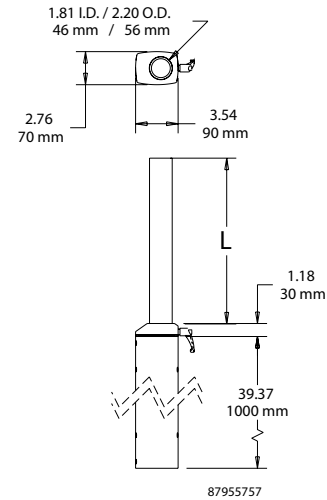


Height-adjustable tubes allow enclosure to be positioned at the optimal viewing height for different operators. Requires the 48-mm Round Tube Flange Coupling (S2MFC48) and Adapter (S2MA48) for attachment to Hoffman enclosures with a 60 x 60-mm hole pattern (i.e., required for attaching to Concept HMI, CC2000, CC4000).

- Adjustable from 1130 mm (44.49 in.) to 1380 mm (54.33 in.) with internal gas springs
  - Four models support loads ranging from 11 to 77 lb. (4.9 to 34.9 kg)
  - Height is fixed in place at any position by locking handle
  - Cables are separated from gas springs inside the tube
  - Internal strain-relief for cables inside the tube
  - Can be attached to Small Pedestal Base, Large Pedestal Base, Vertical Wall Joint, Wall Flange, Rotary Base, Elbow or Rotatable Elbow
  - Aluminum construction
- Tube cannot be inverted for overhead mounting on the enclosure. The weight of the coupling, adapter plate, enclosure and internal components must be factored into the load when selecting a tube.**

BULLETIN: CS4

| Catalog Number | L Max.<br>mm/in. | L Min.<br>mm/in. | Load Capacity | Weight (lb.) |
|----------------|------------------|------------------|---------------|--------------|
| S2M10VP22      | 350<br>13.78     | 100<br>3.94      | 11-22 lb.     | 15.5         |
| S2M10VP37      | 350<br>13.78     | 100<br>3.94      | 22-37 lb.     | 15.5         |
| S2M10VP57      | 350<br>13.78     | 100<br>3.94      | 37-57 lb.     | 15.5         |
| S2M10VP77      | 350<br>13.78     | 100<br>3.94      | 57-77 lb.     | 15.5         |



## VERTICAL MOTION PEDESTAL TUBE LOAD CHART

| Ambient Temperature | 100 N (6-11 kg)     | 150 N (11-19 kg)   | 200 N (19-29 kg)   | 300 N (29-39 kg)   |
|---------------------|---------------------|--------------------|--------------------|--------------------|
| 40°C                | 100 N (6-11 kg)     | 150 N (11-19 kg)   | 200 N (19-29 kg)   | 300 N (29-39 kg)   |
| 30°C                | 100 N (5.5-10.5 kg) | 150 N (10.5-18 kg) | 200 N (18-27.5 kg) | 300 N (27.5-37 kg) |
| 20°C                | 100 N (5-10 kg)     | 150 N (10-17 kg)   | 200 N (17-26 kg)   | 300 N (26-35 kg)   |

Damper Force/Total Weight

When using a Vertical Motion Pedestal the overall system load is limited to the load capacity of the Vertical Motion Pedestal.

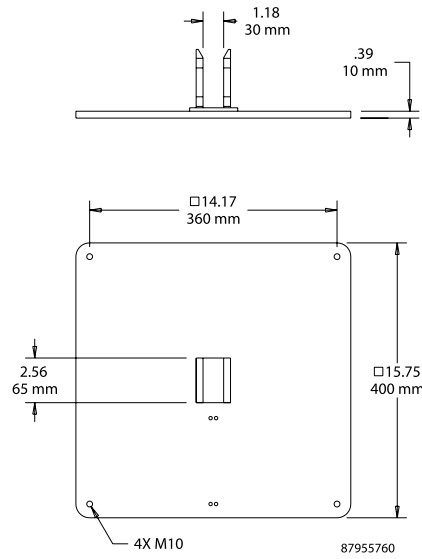
### SMALL PEDESTAL BASE



Tubes attach directly to Small Pedestal Base. RAL 9005 black finish. Constructed from 3/8-in. thick steel plate. Includes installation instructions, cable ties and tube setscrews. Surface mounting hardware not provided.  
**Supports loads per Load Rating Graph.**

**BULLETIN: CS4**

| Catalog Number | Weight (lb.) |
|----------------|--------------|
| S2MPBS         | 29.1         |



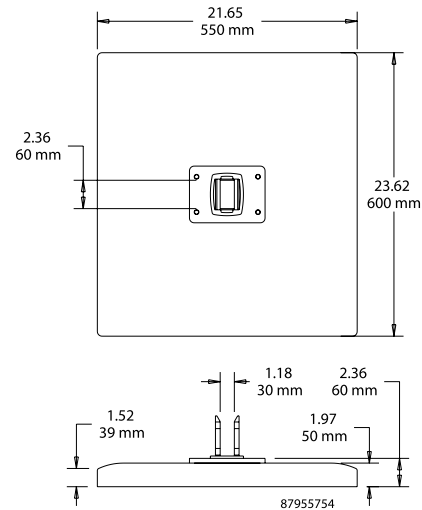
### LARGE PEDESTAL BASE



Tubes attach directly to Large Pedestal Base. RAL 9005 black finish. Cast aluminum construction. Includes installation instructions and tube setscrews. Surface mounting hardware not provided.  
**Supports loads per Load Rating Graph.**

**BULLETIN: CS4**

| Catalog Number | Weight (lb.) |
|----------------|--------------|
| S2MPBL         | 25.7         |

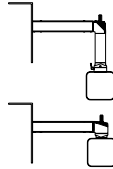


### LIGHT SIGNAL ADAPTERS

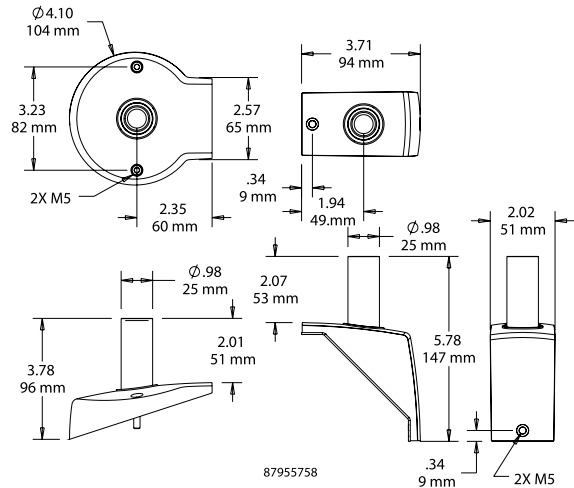


Light Signal Adapters are available in either round or elbow cover versions and provide a means for attaching signal lights. Signal lights are not included. Gray composite cover caps include a gasket, attachment hardware and post and replace the caps provided with other system components.

**BULLETIN: CS4**



| Catalog Number | Description       | Weight (lb.) |
|----------------|-------------------|--------------|
| S2MLSAR        | Round Cover       | 0.3          |
| S2MLSAE        | Rectangular Cover | 0.3          |



### ROTATION LIMITERS



Rotation limiters can be retro-fit on coupling and joint components and are adjustable in increments of 13.7 degrees. Limits rotation of couplings and joints which normally rotate 300 degrees. Kit includes ten steel balls, plug and installation instructions.

**BULLETIN: CS4**

| Catalog Number | Weight (lb.) |
|----------------|--------------|
| S2MRL          | 0.1          |

### TUBE HOLE PLUGS



Plastic hole plugs cover up the set screws in the tubes. Kit includes 50 hole plugs. Hole plugs are not needed to maintain the suspension system's NEMA Type 12 rating but provide an attractive smooth finish for the tube. Gray RAL 9006 color.

**BULLETIN: CS4**

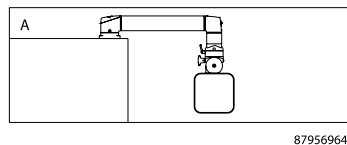
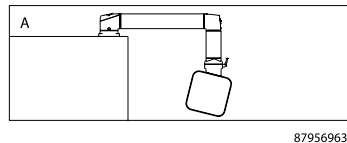
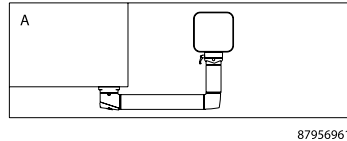
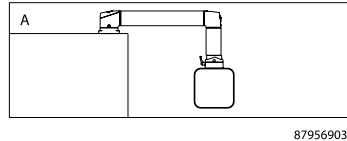
| Catalog Number |
|----------------|
| S2MTHP         |

## SYSTEM CONFIGURATIONS

**Note to Specifier:**

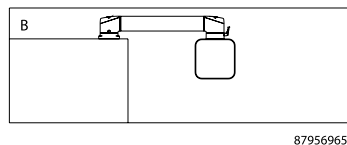
Select suspension system sizing using the Syspend 281-MAX load capacity chart.

1. Tube catalog numbers are not included in configuration tables.
2. There are multiple configurations possible with many of the options shown. Components can be inverted in all cases except for Vertical Motion Pedestal Tube. For illustration purposes, configuration A shows how components can be inverted or used with varying enclosure couplings.
3. When using Vertical Motion Pedestal the overall system load is limited to load capacity of Vertical Motion Pedestal.
4. No tube section used vertically should exceed 59.05 inches (1500 mm).



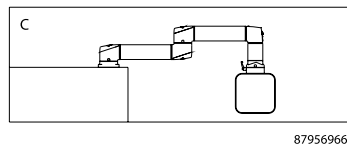
**A**

| Description                                      | Qty. | Catalog Number |
|--|------|----------------|
| Set-Up joint                                     | 1    | S2MSJ          |
| Elbow  | 1    | S2ME           |
| Flange Coupling or Angled Coupling (Tilted Back) | 1    | S2MFC          |
| or Angled Coupling (Tilted Forward)              | 1    | S2MACB         |
| or Angled Coupling (Tilted Forward)              | 1    | S2MACF         |
| For tilt, add Angled Adapter to coupling         | 1    | S2MAA          |



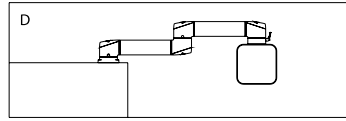
**B**

| Description                              | Qty. | Catalog Number |
|--|------|----------------|
| Set-Up joint                             | 1    | S2MSJ          |
| Flange Elbow Coupling                    | 1    | S2MFEC         |
| For tilt, add Angled Adapter to coupling | 1    | S2MAA          |



**C**

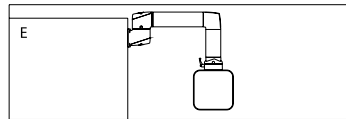
| Description                                      | Qty. | Catalog Number |
|--|------|----------------|
| Set-Up joint                                     | 1    | S2MSJ          |
| Intermediate Joint                               | 1    | s2mij          |
| Elbow  | 1    | s2me           |
| Flange Coupling or Angled Coupling (Tilted Back) | 1    | S2MFC          |
| or Angled Coupling (Tilted Forward)              | 1    | S2MACB         |
| or Angled Coupling (Tilted Forward)              | 1    | S2MACF         |
| For tilt, add Angled Adapter to coupling         | 1    | S2MAA          |



87956967

**D**

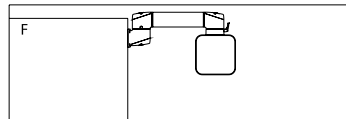
| Description                              | Qty. | Catalog Number |
|--|------|----------------|
| Set-Up joint                             | 1    | S2MSJ          |
| Intermediate Joint                       | 1    | S2MIJ          |
| Flange Elbow Coupling                    | 1    | S2MFEC         |
| For tilt, add Angled Adapter to coupling | 1    | S2MAA          |



87956969

**E**

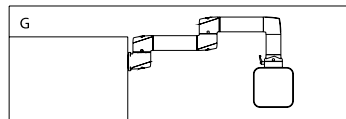
| Description                                      | Qty. | Catalog Number   |
|--|------|------------------|
| Wall Joint, Horizontal                           | 1    | S2MWJH           |
| Elbow  | 1    | S2ME             |
| Flange Coupling or Angled Coupling (Tilted Back) | 1    | S2MFC            |
| or Angled Coupling (Tilted Forward)              | 1    | S2MACB<br>S2MACF |
| For tilt, add Angled Adapter to coupling         | 1    | S2MAA            |



87956970

**F**

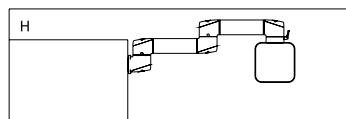
| Description                              | Qty. | Catalog Number |
|--|------|----------------|
| Wall Joint, Horizontal                   | 1    | S2MWJH         |
| Flange Elbow Coupling                    | 1    | S2MFEC         |
| For tilt, add Angled Adapter to coupling | 1    | S2MAA          |



87956971

**G**

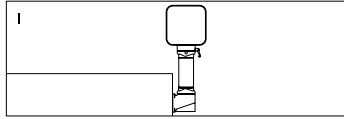
| Description                                      | Qty. | Catalog Number   |
|--|------|------------------|
| Wall Joint, Horizontal                           | 1    | S2MWJH           |
| Intermediate Joint                               | 1    | S2MIJ            |
| Elbow  | 1    | S2ME             |
| Flange Coupling or Angled Coupling (Tilted Back) | 1    | S2MFC            |
| or Angled Coupling (Tilted Forward)              | 1    | S2MACB<br>S2MACF |
| For tilt, add Angled Adapter to coupling         | 1    | S2MAA            |



87956973

**H**

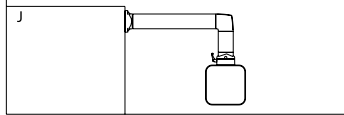
| Description                              | Qty. | Catalog Number |
|--|------|----------------|
| Wall Joint, Horizontal                   | 1    | S2MWJH         |
| Intermediate Joint                       | 1    | S2MIJ          |
| Flange Elbow Coupling                    | 1    | S2MFEC         |
| For tilt, add Angled Adapter to coupling | 1    | S2MAA          |



87956974

I

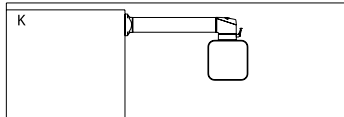
| Description                                      | Qty. | Catalog Number   |
|--|------|------------------|
| Wall Joint, Vertical                             | 1    | S2MWJV           |
| Flange Coupling or Angled Coupling (Tilted Back) | 1    | S2MFC            |
| or Angled Coupling (Tilted Forward)              | 1    | S2MACB<br>S2MACF |
| For tilt, add Angled Adapter to coupling         | 1    | S2MAA            |



87956975

J

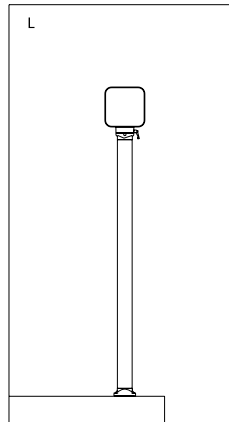
| Description                                      | Qty. | Catalog Number   |
|--|------|------------------|
| Wall Flange                                      | 1    | S2MWF            |
| Elbow  | 1    | S2ME             |
| Flange Coupling or Angled Coupling (Tilted Back) | 1    | S2MFC            |
| or Angled Coupling (Tilted Forward)              | 1    | S2MACB<br>S2MACF |
| For tilt, add Angled Adapter to coupling         | 1    | S2MAA            |



87956976

K

| Description                              | Qty. | Catalog Number |
|--|------|----------------|
| Wall Flange                              | 1    | S2MWF          |
| Flange Elbow Coupling                    | 1    | S2MFEC         |
| For tilt, add Angled Adapter to coupling | 1    | S2MAA          |



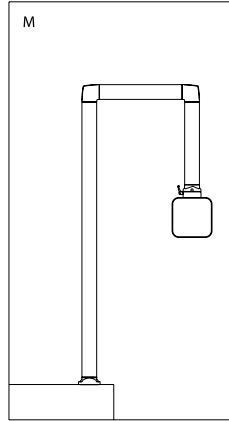
87956977

L

| Description                                      | Qty. | Catalog Number   |
|--|------|------------------|
| Wall Flange                                      | 1    | S2MWF            |
| Flange Coupling or Angled Coupling (Tilted Back) | 1    | S2MFC            |
| or Angled Coupling (Tilted Forward)              | 1    | S2MACB<br>S2MACF |
| For tilt, add Angled Adapter to coupling         | 1    | S2MAA            |



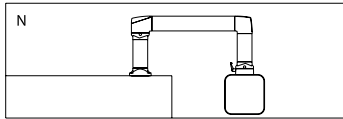
**M**



87956979

| Description  | Qty. | Catalog Number            |
|--|------|---------------------------|
| Wall Flange  | 1    | S2MWF                     |
| Elbow  | 2    | S2ME                      |
| Flange Coupling or Angled Coupling (Tilted Back) or Angled Coupling (Tilted Forward) | 1    | S2MFC<br>S2MACB<br>S2MACF |
| For tilt, add Angled Adapter to coupling   | 1    | S2MAA                     |

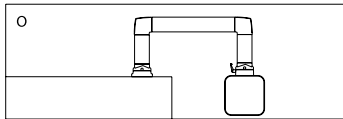
**N**



87956980

| Description  | Qty. | Catalog Number            |
|--|------|---------------------------|
| Wall Flange  | 1    | S2MWF                     |
| Rotary Elbow   | 1    | S2MER                     |
| Elbow  | 1    | S2ME                      |
| Flange Coupling or Angled Coupling (Tilted Back) or Angled Coupling (Tilted Forward) | 1    | S2MFC<br>S2MACB<br>S2MACF |
| For tilt, add Angled Adapter to coupling   | 1    | S2MAA                     |

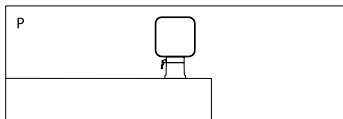
**O**



87956981

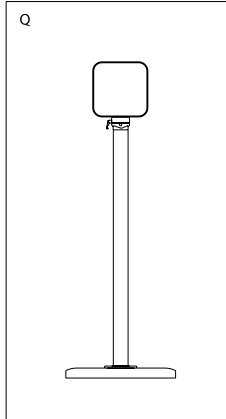
| Description  | Qty. | Catalog Number            |
|--|------|---------------------------|
| Rotary Base  | 1    | S2MRB                     |
| Elbow  | 2    | S2ME                      |
| Flange Coupling or Angled Coupling (Tilted Back) or Angled Coupling (Tilted Forward) | 1    | S2MFC<br>S2MACB<br>S2MACF |
| For tilt, add Angled Adapter to coupling   | 1    | S2MAA                     |

**P**



87956982

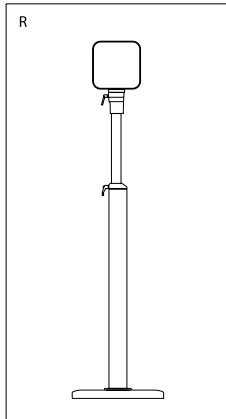
| Description                              | Qty. | Catalog Number |
|--|------|----------------|
| Base Coupling                            | 1    | S1MBC          |
| For tilt, add Angled Adapter to coupling | 1    | S2MAA          |



87956983

**Q**

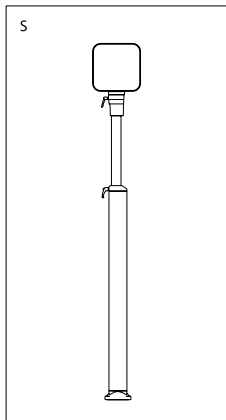
| Description  | Qty. | Catalog Number            |
|--|------|---------------------------|
| Large Pedestal Base or Small Pedestal Base   | 1    | S2MPBL<br>S2MPBS          |
| Flange Coupling or Angled Coupling (Tilted Back) or Angled Coupling (Tilted Forward) | 1    | S2MFC<br>S2MACB<br>S2MACF |
| For tilt, add Angled Adapter to coupling   | 1    | S2MAA                     |



87956984

**R**

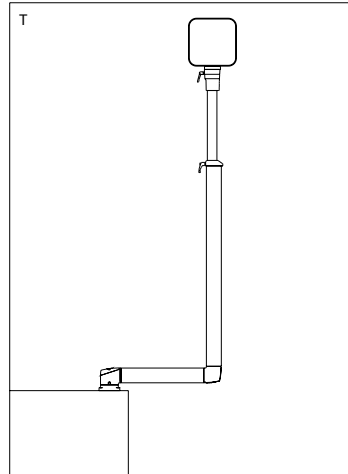
| Description                                | Qty. | Catalog Number   |
|--|------|------------------|
| Large Pedestal Base or Small Pedestal Base | 1    | S2MPBL<br>S2MPBS |
| Flange Coupling, 48-mm Round Tube          | 1    | S2MFC48          |
| Adapter, 48-mm Round Tube                  | 1    | S2MA48           |



87956985

**S**

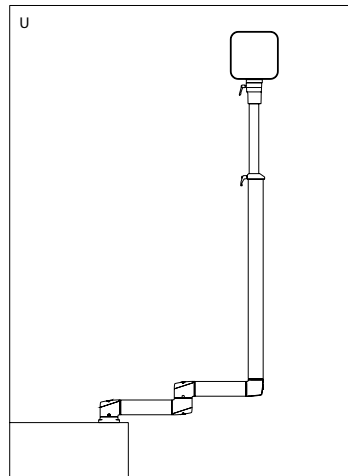
| Description                       | Qty. | Catalog Number |
|-----------------------------------|------|----------------|
| Wall Flange                       | 1    | S2MWF          |
| Flange Coupling, 48-mm Round Tube | 1    | S2MFC48        |
| Adapter, 48-mm Round Tube         | 1    | S2MA48         |



89104512

**T**

| Description                      | Qty. | Catalog Number |
|----------------------------------|------|----------------|
| Set-Up Joint                     | 1    | S2MSJ          |
| Elbow                            | 1    | S2ME           |
| Flange Coupling, 48mm Round Tube | 1    | S2MFC48        |
| Adapter, 48mm Round Tube         | 1    | S2MA48         |



89104514

**U**

| Description                      | Qty. | Catalog Number |
|----------------------------------|------|----------------|
| Set-Up Joint                     | 1    | S2MSJ          |
| Intermediate Joint               | 1    | S2MIJ          |
| Flange Coupling, 48mm Round Tube | 1    | S2MFC48        |
| Adapter, 48mm Round Tube         | 1    | S2MA48         |

**Notes**