

# ProLine

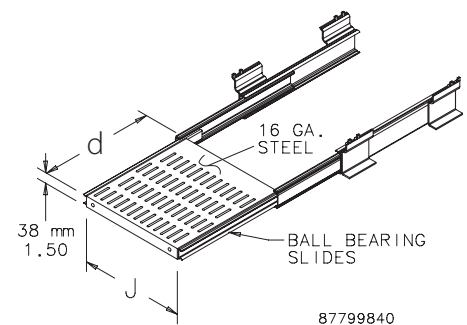
## PROLINE SHELVES

### FRAME PULL-OUT SHELF



Frame Pull-Out Shelf allows easy access to shelf-mounted devices. The shelf is 1,5 mm steel with 2,0 mm steel supports. The entire assembly is finished with RAL 7035 textured, gray polyester powder paint. The shelf mounts to the front and rear frame uprights. Mounting hardware included. Load rating is 50 kg.

Item number	d [mm]	J [mm]
PFSHP66	425	464
PFSHP68	625	464
PFSHP86	425	664
PFSHP88	625	664

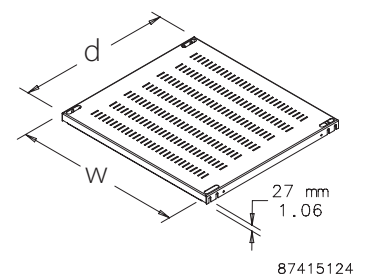


### FRAME SHELF



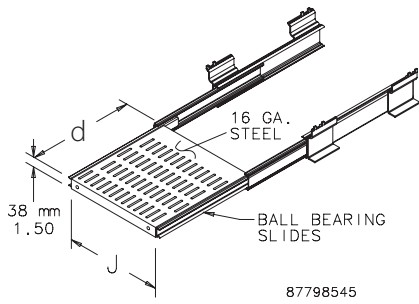
Vented Frame Shelf mounts to the vertical hole pattern on a frame and provides a stationary surface for equipment. The shelf is 1,5 mm steel finished with RAL 7035 textured, gray polyester powder paint.

Item number	d [mm]	w [mm]
PFSH64	300	548
PFSH65	400	548
PFSH66	500	548
PFSH68	700	548
PFSH69	800	548
PFSH85	400	748
PFSH86	500	748
PFSH88	700	748
PFSH89	800	748
PFSH104	300	948
PFSH105	400	948
PFSH106	500	948
PFSH108	700	948



# ProLine Shelves

## PULL-OUT SHELF



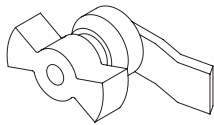
Pull-Out Shelf allows easy access to shelf-mounted devices. Shelf is 1,5 mm steel. The entire assembly is finished with RAL 7035 textured, light-gray polyester powder paint. The shelf mounts to the front surface of front and back 19-in. rack angles.

Load rating is 68 kg with four rack angle mountings and 34 kg with front rack angle mounting.

*Rack accessories that are shorter than the enclosure depth can be mounted to rack angles or frame accessory brackets attached to grid straps. Order these items separately.*

Item number	d [mm]	J [mm]	Shelf Extension [mm]	Fits Rack Width [mm]	Fits Frame Depth [mm]	Rack Units
P19PSH5	361	403	490	483	500-800	2
P19PSH6	461	403	580	483	600-800	2
P19PSH8	661	403	740	483	800	2

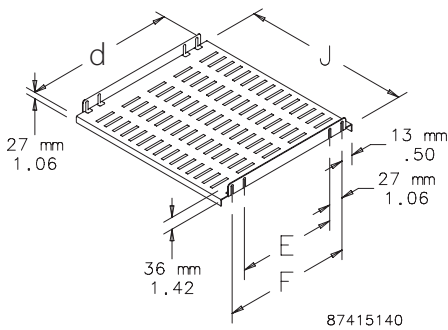
## PULL-OUT SHELF LOCK



Pull-Out Shelf Lock is used in combination with the Pull-Out Shelf to hold the shelf in the recessed position. It can be mounted on either the left or right side. This black quarter-turn lock has a wing knob for easy hand operation. Pull-Out Shelf Lock is not compatible with the Frame Pull-Out Shelves.

Catalog Number	Description
PSHLOCK	Pull-Out Shelf Lock

## FIXED SHELF



Fixed Shelves mount to the front and back 19-in. rack angles. The shelf is 2,0 mm steel with adjustable 2,5 mm steel supports. Adjustable to fit multiple-depth enclosures or rack angle placements. Entire assembly is finished with RAL 7035 textured, light-gray polyester powder paint. Load rating is 68 kg.

*Rack accessories that are shorter than the enclosure depth can be mounted to rack angles or frame accessory brackets attached to grid straps. Order these items separately.*

Item number	d [mm]	E [mm]	F [mm]	J [mm]	Fits Rack Width [mm]	Fits Frame Depth [mm]	Rack Units
P19SH5	349	264.8	318.4	477	483	500-800	1
P19SH6	449	364.8	418.4	477	783	600-800	1
P19SH8	649	564.8	618.4	477	483	800	1



Our powerful portfolio of brands:

**CADDY ERICO HOFFMAN RAYCHEM SCHROFF TRACER**