

**PROLINE FLOTEK HCA (HOT/COLD AISLE) SERVER CABINET**



- Fully perforated front door offers maximum airflow from cold aisle and conforms to server manufacturer open space requirements
- Six 6-in. fans with integral finger guards in the rear doors pull cold-aisle air through cabinet and exhaust it to hot aisle
- Fans provide up to 1440 CFM airflow
- Fans on each door can be independently powered to provide redundant cooling
- Solid top helps direct airflow across equipment
- Models without sides fit together quickly for easy installation in ganged applications
- Three-point locking pushbutton swing handle on front door provides easy but controlled access; two keys included
- Rear doors are split for easy access and include 3-point, low-profile, locking swing handle
- Two sets of 19-in. square-hole rack angles support both front and rear of equipment
- Rack angles are infinitely adjustable from front to rear for positioning flexibility
- Large gland plate in top allows easy routing of cable, pre-terminated cables and patch panels
- Mounting hardware (20 each of 10-32 screws and cage nuts) is included

**SPECIFICATIONS**

- 16 or 14 gauge steel doors, sides and cover
- Welded 12 gauge steel frame
- Rack angles have square holes with EIA 310-D spacing
- Open bottom with integral bolt-down brackets

**FINISH**

Pretreated steel coated with RAL 9005 black textured, low-gloss polyester powder paint. Other finishes available—contact Hoffman Customer Service

**LOAD RATING**

**Static Load Rating: 2500 lb. (1134 kg)**

A cabinet has a static load when:

- it is in its final, permanent, fully secured location, and
- its load is uniformly applied to the two sets of rack-mounting angles

**Never move a cabinet with its maximum static load applied.**

Contact Hoffman if further information is needed.

**BULLETIN: DPSR**

**INDUSTRY STANDARDS**

UL Listed to UL 508A File Number E61997  
cUL Listed to CSA C22.2 No. 14-18

EIA 310-D (RU – Rack Unit spacing, marking, and positioning)  
IEC 60529, IP20  
Perforated doors meet or exceed manufactures open space/air flow ventilation requirements

**APPLICATION**

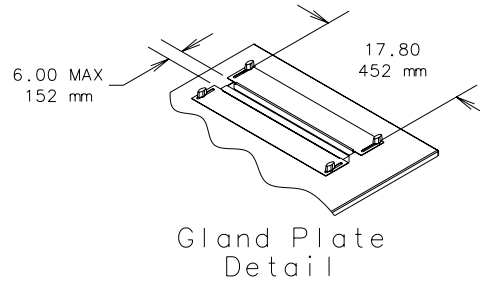
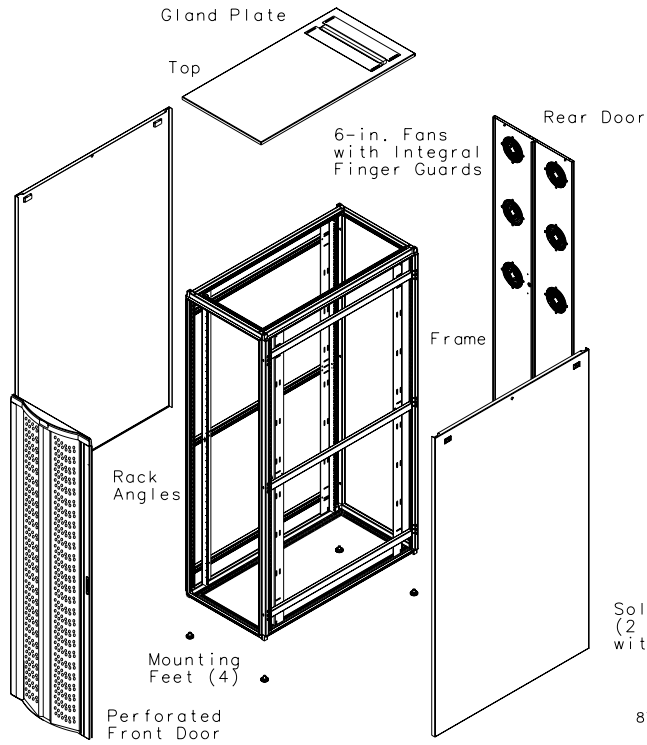
Two independently-powered, redundant fan banks in the rear of the PROLINE FLOTEK HCA Server Cabinet maximize cooling power for high-density applications that generate high amounts of heat.

**FEATURES**

- Rigid front door made of aluminum extrusions and formed perforated steel offers highly attractive appearance and durability

**Standard Product**

Catalog Number	AxBxC mm/in.	Sides	Rack Units	Rack Angle
PSCHCA2069B	1991 x 608 x 899 78.37 x 23.94 x 35.40	With sides	42	PRA1920THL1
PSCHCA2069BNS	1991 x 599 x 899 78.37 x 23.58 x 35.40	Without sides	42	PRA1920THL1
PSCHCA20610B	1991 x 608 x 999 78.37 x 23.94 x 39.34	With sides	42	PRA1920THL1
PSCHCA20610BNS	1991 x 599 x 999 78.37 x 23.58 x 39.34	Without sides	42	PRA1920THL1
PSCHCA20611B	1991 x 608 x 1099 78.37 x 23.94 x 43.28	With sides	42	PRA1920THL1
PSCHCA20611BNS	1991 x 599 x 1099 78.37 x 23.58 x 43.28	Without sides	42	PRA1920THL1
PSCHCA20612B	1991 x 608 x 1199 78.37 x 23.94 x 47.22	With sides	42	PRA1920THL1
PSCHCA20612BNS	1991 x 599 x 1199 78.37 x 23.58 x 47.22	Without sides	42	PRA1920THL1



87794399

