

HORIZONTAL-MOUNT, TYPE 3R



INDUSTRY STANDARDS

Maintains Type 3R rating when mounted horizontally. Maintains Type 1 rating when mounted vertically.

UL 50, 50E Listed; Type 3R; File No. E27525 cUL Listed per CSA C22.2 No 94; Type 3R; File No. E27525

NEMA/EEMAC Type 3R
IEC 60529, IP32

APPLICATION

Use this enclosure as a wiring, junction or pull box for outside horizontal mounting applications such as rooftops or pads. Vertical structure for mounting is not required.

FEATURES

- The screw cover is the drip shield providing 3/4-inch overhang on each side for outdoor protection
- No gasketing
- Screw locations on cover are embossed
- Enclosure body flange is formed outward
- Mounting holes on back for direct mounting through the back to strut or mounting surface; vertical structure for mounting not required
- Included mounting brackets provide a 1-inch clearance off surface for protection against pooling water

SPECIFICATIONS

- 16 gauge galvanized steel

FINISH

ANSI 61 gray polyester powder paint finish inside and out over pretreated surfaces.

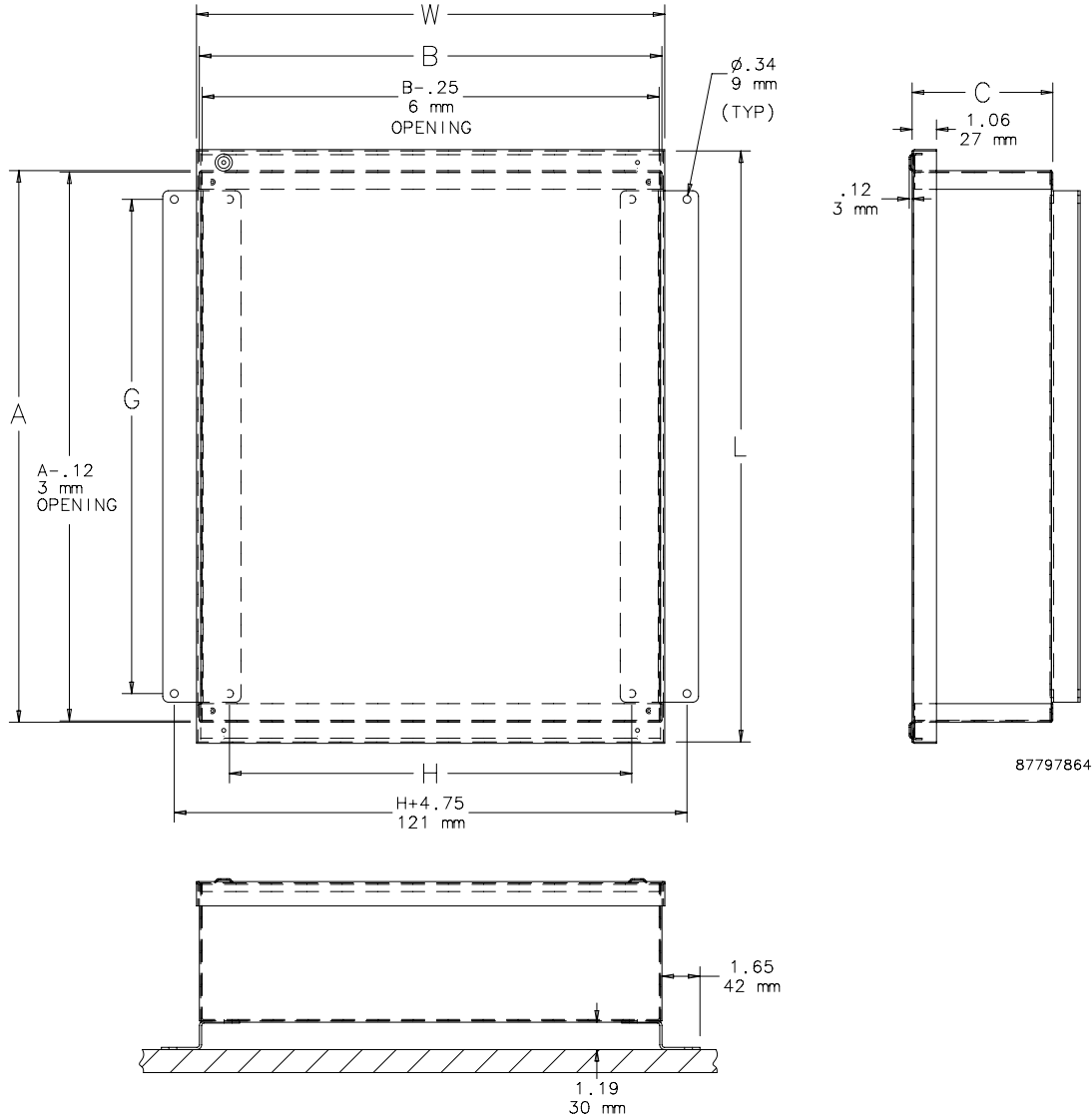
ACCESSORIES

Touch-Up Paint

BULLETIN: A90RH

Standard Product

Catalog Number	AxBxC in./mm	G in./mm	H in./mm	L in./mm	W in./mm
A8R84HM	8.00 x 8.00 x 4.00 203 x 203 x 102	5.50 140	5.50 140	9.83 250	8.83 213
A10R104HM	10.00 x 10.00 x 4.00 254 x 254 x 102	5.50 140	7.50 191	11.83 300	10.38 264
A12R126HM	12.00 x 12.00 x 6.00 305 x 305 x 152	5.50 140	9.50 241	13.83 351	12.38 314
A24R206HM	24.00 x 20.00 x 6.00 610 x 508 x 152	21.50 546	17.50 445	25.83 656	20.38 518



87797864