

## SYSPEND VHD-MOTION ARM, TYPE 4



### INDUSTRY STANDARDS

Maintains NEMA Type 4 and 12 and IEC IP66 enclosure rating when properly installed per Hoffman instructions.

### APPLICATION

Heavy-duty vertical motion pendant arm effortlessly lifts, lowers and repositions HMI enclosures in NEMA Type 4 and 12 environments. Two arm lengths are available with field-adjustable counterbalances to support loads up to 125 lb. No release handle is required to operate the arm.

### FEATURES

- 26-in. arm supports loads of 45-125 lb. with 13-in. of vertical height adjustment
- 36-in. arm supports loads of 25-75 lb. with 20-in. of vertical height adjustment

- Field-adjustable gas spring counterbalance allows the user to adjust lifting force by turning an adjustment mechanism under the arm
- Angle of gas springs is adjustable (not the pressure); allows lifting force to be increased or decreased at any time for changes in load
- Tension adjustment at front of the arm provides additional fine-tuning of lifting force
- No locking enclosure handle required; enclosure stays in place after repositioning
- Easily interfaces with Hoffman HMI enclosures using a 60-x-60-mm enclosure mounting pattern (enclosure must be ordered separately)
- 1.3-in. internal cable pathway maintains NEMA Type 4 and 12 enclosure rating and protects wires and cables
- Gasketed mounting surfaces at both ends of arm maintain seal integrity
- Enclosure and arm can be swiveled 330 degrees with swivel stops available in 30-degree increments
- Standard models are available with machine-top mounting (wall-mount and post-mount adapters sold separately)
- Optional floorpost available

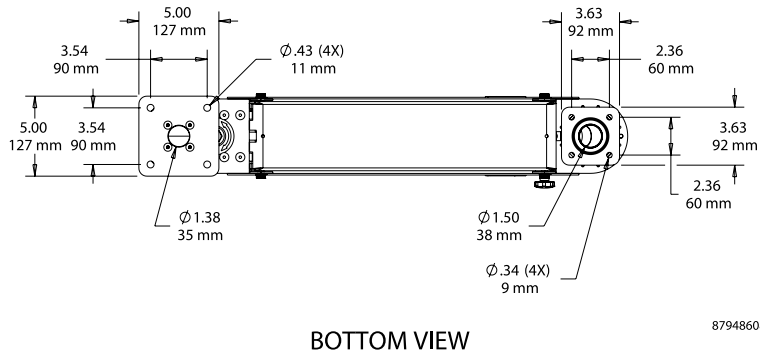
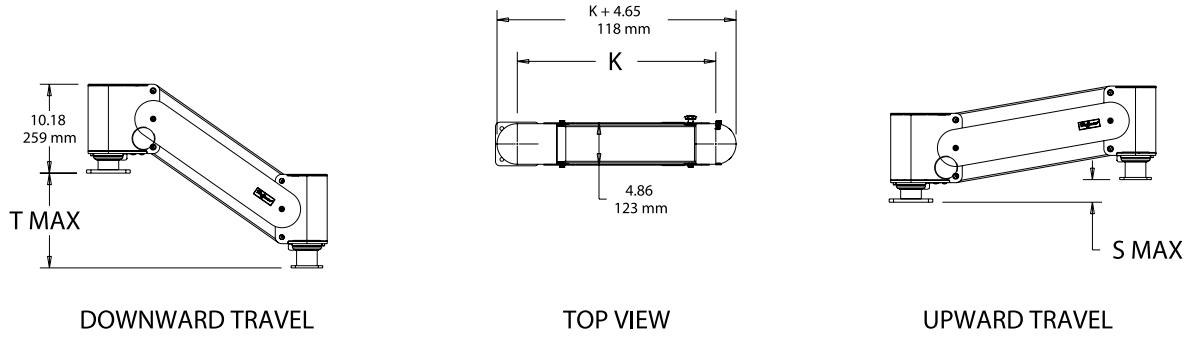
### SPECIFICATIONS

- Mild steel construction
- RAL 7035 light-gray finish with black end supports
- Gas spring counterbalance

### BULLETIN: DMID, VM2

### Standard Product

Catalog Number	AxBxC in./mm	Description	Wall-Mount Adapter	Post-Mount Adapter	Load Capacity (lb.)	Load Capacity (kg)	Arm Length mm/in.	Arm Weight (lbs.)	K in./mm	S in./mm	T in./mm
VHD26	10.18 x 30.65 x 4.86 259 x 779 x 123	VHD-Motion Arm, 26-in. Machine-Top Mount	VHDWALL	VHDPOST	45-125	20-57	25	54	26.00 660	3.00 76	10.00 254
VHD36	10.18 x 40.65 x 4.86 259 x 1033 x 123	VHD-Motion Arm, 36-in. Machine-Top Mount	VHDWALL	VHDPOST	25-75	11-37	27	60	36.00 914	4.00 102	16.00 406



87948608

BOTTOM VIEW

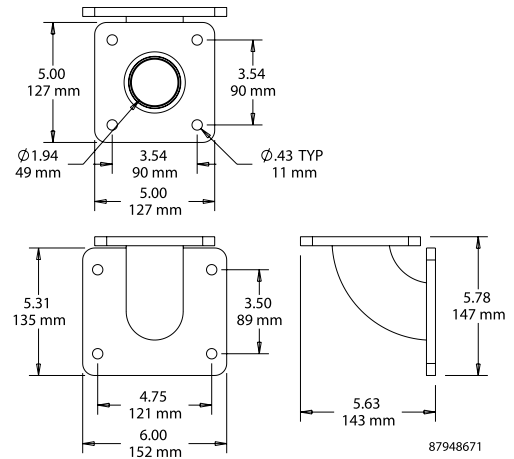
**WALL-MOUNT ADAPTER**


Order separately when installing the SYSPEND VHD-Motion Arm to a wall or vertical surface.

- RAL 7035 light-gray polyester powder paint finish
- Includes hardware to mount the adapter to the arm
- Hardware for mounting to the wall is not included

**BULLETIN: VM2**

Catalog Number	AxBxC in./mm	Description	Weight (lb.)	Weight (kg)
VHDWALL	5.78 x 5.63 x 5.00 147 x 143 x 127	VHD-Motion Arm Wall-Mount Adapter	10.0	4.54

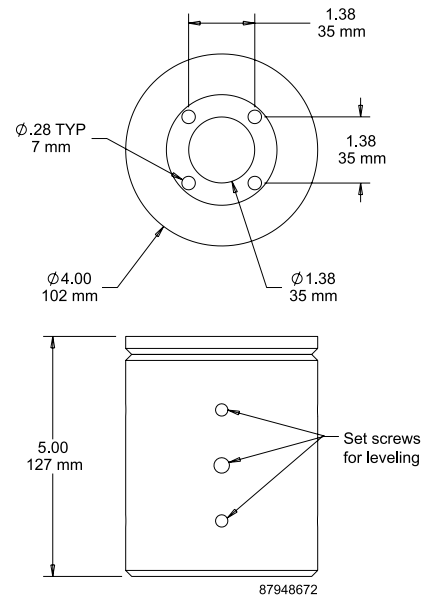

**POST-MOUNT ADAPTER**


Order separately when installing the SYSPEND VHD-Motion Arm to a 3.5-in. OD tube.

- RAL 7035 light-gray polyester powder paint finish
- Includes hardware to mount the adapter to the arm and setscrews for mounting to a tube

**BULLETIN: VM2**

Catalog Number	AxBxC in./mm	Description	Weight (lb.)	Weight (kg)
VHDPOST	5.00 x 4.00 x 4.00 127 x 102 x 102	VHD-Motion Arm Post-Mount Adapter	6.5	2.95



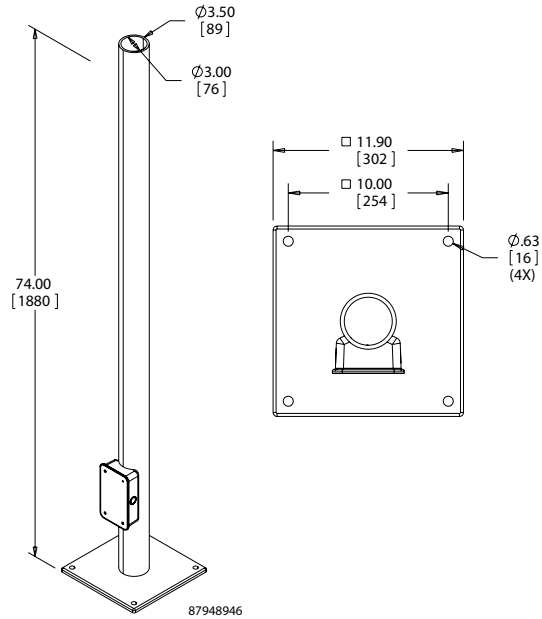
## FLOORPOST WITH JUNCTION BOX



- Provides method for mounting the SYSPEND VL and VHD Motion Arms when a structural surface is not available.
- Heavy-wall 3.5-in. structural tube welded to a 12 x 12 x 3/8-in.-thick baseplate
  - Provides a “rough-in” point and pull box for power and network field wiring
  - Includes internal CAT5 coupler and finger-safe power terminals
  - Two conduit knock-outs can be opened to either 1/2 in. or 3/4 in.
  - Fully gasketed 16 gauge cover panel on junction box can be used for additional conduit attachment
  - Tough, molded ABS junction box is contoured to fit the post and is fluted into the post to protect cables

BULLETIN: VM4

Catalog Number	AxBxC in./mm	Description	Weight (lb.)	Weight (kg)
FLOORPOST	11.90 x 11.90 x 74.00 302 x 302 x 1880	Floorpost with Junction Box	65.0	29.48



## HANDLES



Accessory handle kits are available to allow for easy repositioning of the enclosure. Handles attach inside enclosure with provided hardware. Handles are not required to use the SYSPEND VHD-Motion Arm.

BULLETIN: C2, CC3

Catalog Number	Description	Weight (lb.)
CHDLK	One pair of handles and mounting hardware	1.7