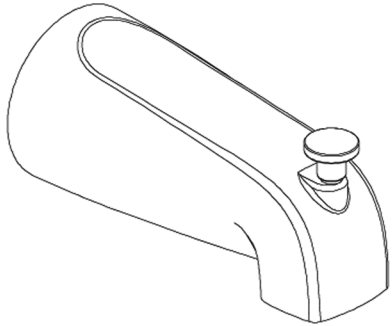


## Instructions for Models:

S-1556  
S-1556-BN  
S-1556-PN



## Need Help?

For additional assistance or service call:

**SPEAKMAN** Company  
400 Anchor Mill Road  
New Castle, DE 19720

PHONE: 800-537-2107  
EMAIL: [customerservice@speakmancompany.com](mailto:customerservice@speakmancompany.com)  
WEB: [www.speakmancompany.com](http://www.speakmancompany.com)

92-3277-R2

## What You Need To Know:

### Tools:

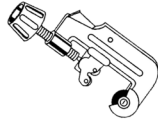
#### Required:

\*Allen Wrench (Included)

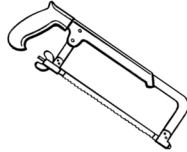


#### Helpful:

\* Tubing Cutter



\*Hacksaw



\*Protective Eye Wear



### Important Notes:

Be sure to read instructions thoroughly before beginning installation. Do not overtighten any connections or damage may occur.

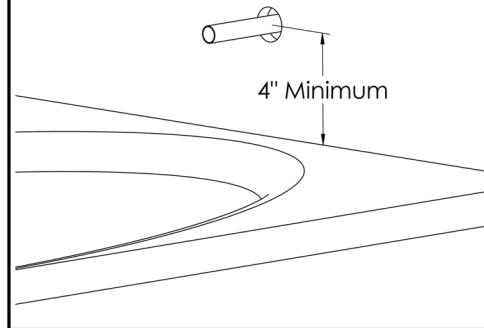
### Safety Tips:

Cover your drain to prevent loss of parts.  
Be sure to wear eye protection while cutting pipe.

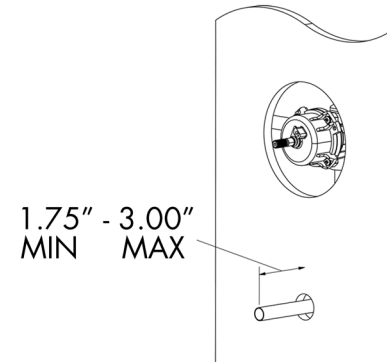
### Maintenance:

Your new Tub Spout is designed for years of trouble-free performance. Keep it looking new by cleaning it periodically with a soft cloth. Avoid abrasive cleaners, steel wool, and harsh chemicals as these will dull the finish and void your warranty.

① The minimum distance between the center off the tub spout and the rim of the tub should be no less than 4".



② The stub out for the 1/2" pipe should extend a minimum of 1.75" from the wall, but not to exceed 3" from wall. Remove all burrs and sharp edges from the stub out 1/2" pipe.



③ Slide spout (1) over exposed stub out pipe until flush to wall. Center the spout (1) on the wall and tighten set screw (2) from underneath with Allen wrench.

