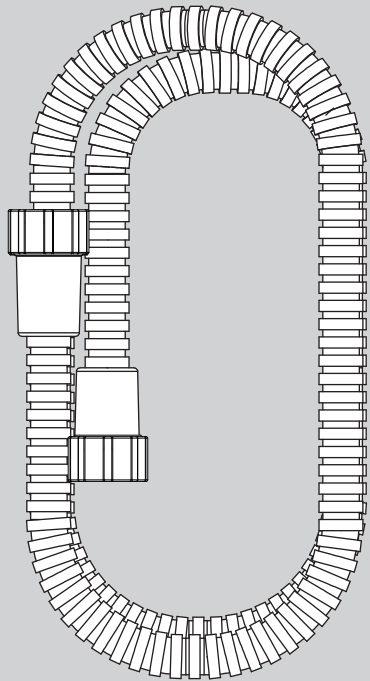


INSTRUCTIONS FOR MODELS

VS-145



NEED HELP?

For additional assistance or service please contact:

SPEAKMAN®

800-537-2107

customerservice@speakman.com

www.speakman.com

92-VS-145-01



IMPORTANT



Be sure to read instructions thoroughly before beginning installation. Do not overtighten any connections or damage may occur.

SAFETY TIPS

Cover your drain to prevent loss of parts.

MAINTENANCE

Periodic cleaning using a mild soap and warm water will help keep your Hand Shower Hose in its original condition.

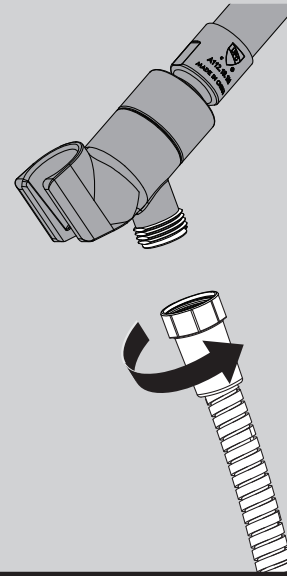
For best results, dry immediately with a soft, clean cloth. **DO NOT USE** harsh and/or abrasive cleaners.

WARRANTY

Warranty information can be found at:
www.speakman.com

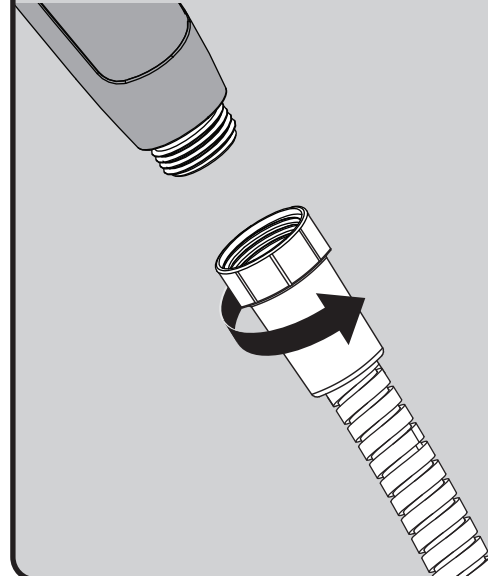
1

Ensure hose washer is inserted inside connector to avoid leaks. Thread end of hose to the outlet port of Bracket. Hand tighten.

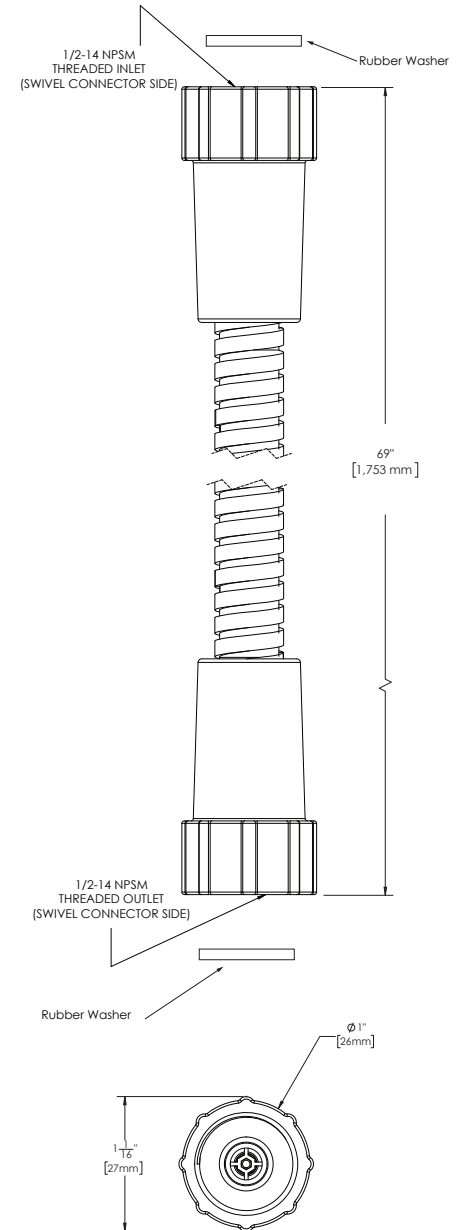


2

Ensure hose washer is inserted inside connector to avoid leaks. Thread remaining end of hose to base of Hand Shower. Hand tighten.



ROUGH IN DIMENSIONS



Specifications:

Inlet / Outlet: 1/2"-14 NPSM Threaded Swivel Connector