



30CART

30 BASKETBALL
HEAVY-DUTY CART

Features:

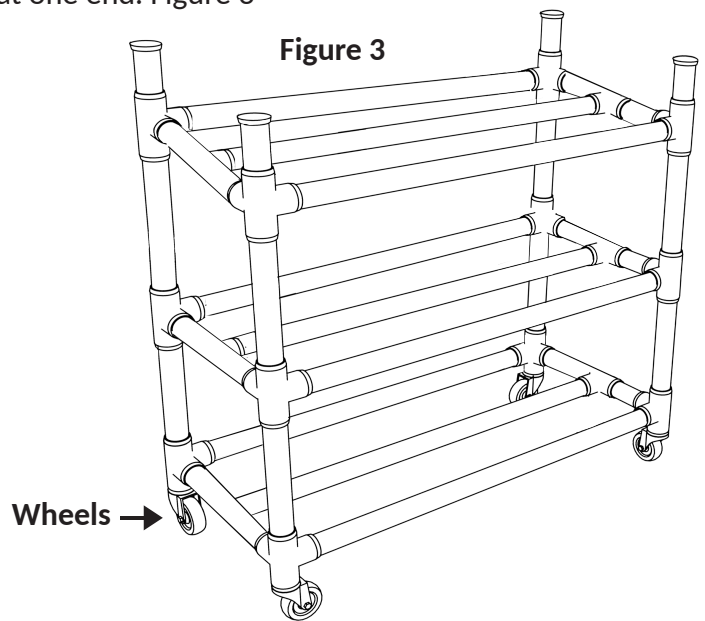
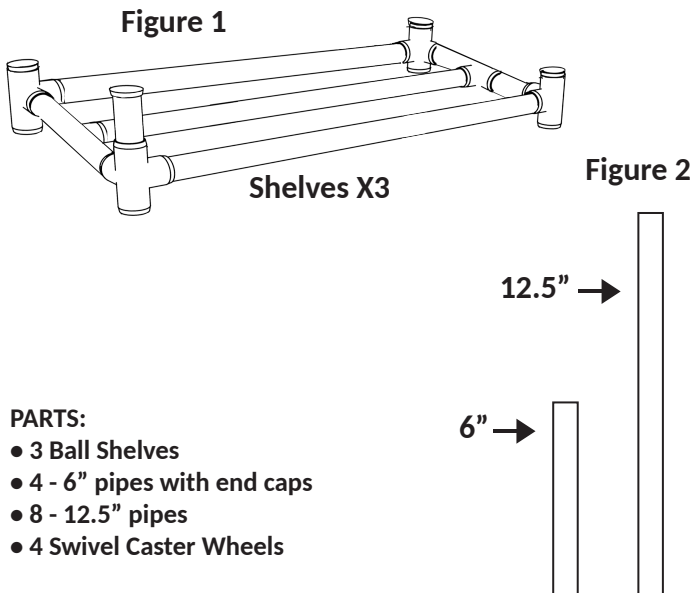
- Indoor/Outdoor cart
- Holds up to 40 basketballs
- Constructed of high quality, heavy-duty plastic
- Four upright top bars for accessories
- Heavy-duty swivel casters
- Nonmarring wheels enable easy transport
- White
- 55"L x 19"W x 45"H



Instructions:

The Champion Sports Heavy-Duty Cart is the ultimate in indoor and outdoor ball storage. The corner upright pipes may be used as convenient push/pull handles or to store hanging items such as I.D. vests, stopwatches or lanyards.

1. Assemble your 30 BASKETBALL CART with a rubber mallet or towel covered hammer.
4. Lay the "shelf" onto a flat surface. Figure 1
5. Insert a 12.5" pipe into each top corner hole and tap into place. Figure 2
6. Install another shelf onto the upright pipes and tap into place.
7. Insert a 12.5" pipe into each top corner hole and tap into place.
8. Install the last shelf onto the upright pipes and tap into place.
9. Insert a 6" pipe (with an end cap) into each top corner hole and tap into place. Figure 2
10. Lay the 6" pipe (with an end cap) into each bottom hole and tap into place.
11. Secure the wheels in place. Turn the top spring of the wheel above the ball bearings clockwise until it becomes tight. Be sure to install both locking casters at one end. Figure 3



PARTS:

- 3 Ball Shelves
- 4 - 6" pipes with end caps
- 8 - 12.5" pipes
- 4 Swivel Caster Wheels