

ST650(P) ST650-AB/AW



Display size
37"-75"



Max load
175lb (79kg)

Additional Features

- ✓ Universal mount fits displays with mounting patterns up to 750 x 405mm (29.52"W x 15.95"H)
- ✓ Open wall plate design allows for total wall access, increasing electrical and cable management options
- ✓ Included IncreLok™ feature offers fixed tilt lock in 5° increments when used
- ✓ Easy-Grip™ ratcheting handle locks tilt angle into place
- ✓ Universal tilt adaptors allow for +15°/-5° tilt adjustment in one easy motion
- ✓ Horizontal display adjustment of up to 8" (203mm) (depending on display model) for perfect display placement
- ✓ Universal display adaptors easily hook onto wall plate for fast installation
- ✓ Mounts to wood studs, concrete, cinder block or metal studs (metal stud accessory required)
- ✓ Comes with fastener pack with all necessary display attachment hardware
- ✓ Integrated security options available
- ✓ Agion® antimicrobial* finish assists in controlling the spread of infections with ST650-AB/AW models
- ✓ Landscape to portrait mounting options increases installation versatility. Please check your display dimensions against the wall plate when used in portrait mode**.

*Antimicrobial protection is limited to the treated article and does not protect a user against disease causing bacteria. Always clean products thoroughly after each use. Visit agion-tech.com for more details.

**Requires display to be removed and reset on mount



ST650-AB/AW:



Nature's antimicrobial

Patented. Utility Patent No. 8,517,322; 8,313,073; 8,282,059.

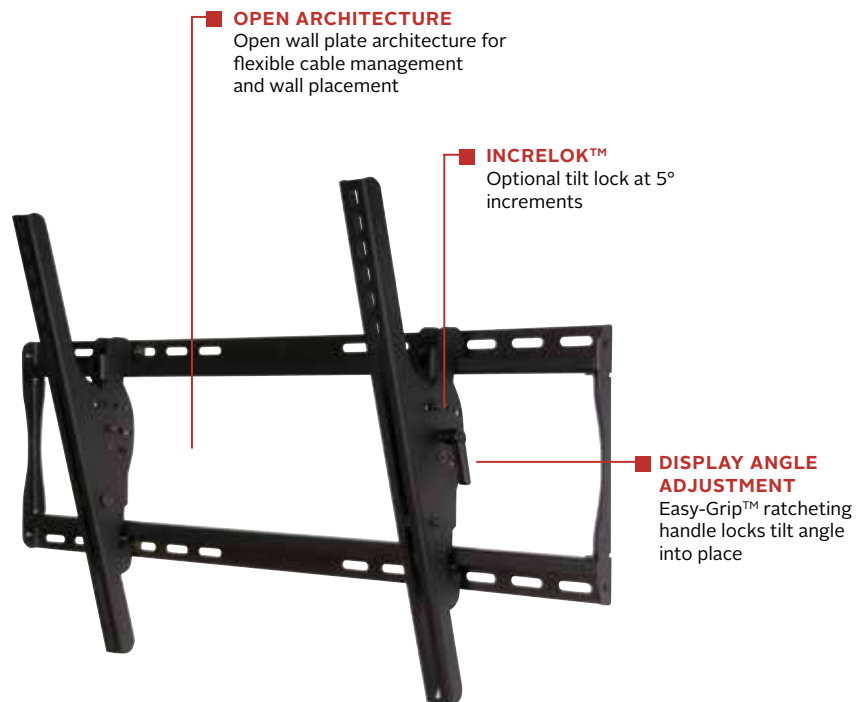
SMARTMOUNT.

Universal Tilt Wall Mount

FOR 37" TO 75" DISPLAYS

The ST650 is indispensable when it comes to display placement flexibility. It features open wall plate architecture that delivers increased electrical access and cable management options. Its exclusive pre-tensioned universal tilt display adaptors deliver the ultimate ease in horizontal display adjustment and viewing angle flexibility.

The ST650's adjustable viewing feature provides 15° of forward tilt and -5° backward tilt, creating the most optimal viewing angle.



Adjustable +15°/-5° tilt

Model Numbers

WARRANTY: Limited 5-year

ST650P	SmartMount® Universal Tilt Wall Mount for 32" to 60" Displays - standard models
ST650(-AB/AW)	SmartMount® Universal Tilt Wall Mount for 32" to 60" Displays - security models

Product Specifications

	DIMENSIONS (W x H x D)	PRODUCT WEIGHT	LOAD CAPACITY	FINISH	AVAILABLE COLORS
ST650(-AB/AW)(P)	33.64" x 16.89" x 2.63"-5.71" (854 x 429 x 67-145mm)	7.94lb (3.6kg)	175lb (79kg)	Matte	ST650(P): Black ST650-AB: Antimicrobial* black ST650-AW: Antimicrobial* white

*Antimicrobial protection is limited to the treated article and does not protect a user against disease causing bacteria. Always clean products thoroughly after each use. Visit agion-tech.com for more details.

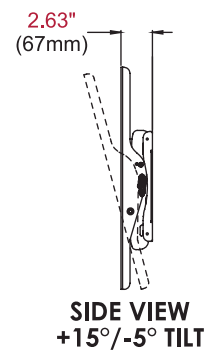
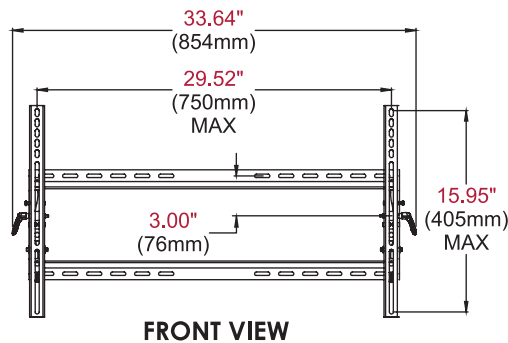
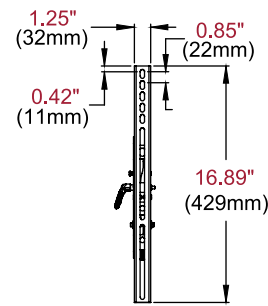
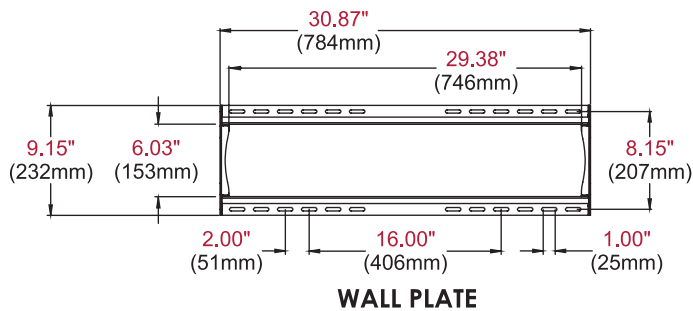
Package Specifications

	PACKAGE SIZE (W x H x D)	PACKAGE SHIP WEIGHT	PACKAGE UPC CODE	PACKAGE CONTENTS	UNITS IN PACKAGE
ST650(-AB/AW)(P)	32" x 10.06" x 3.5" (813 x 256 x 89mm)	10.5lb (4.76kg)	ST650: 735029235941 ST650P: 735029235965 ST650-AB: 735029280996 ST650-AW: 735029281009	Wall plate, universal display adaptors, mounting and display attachment hardware	1

Accessories

ACC415: 4-pack Metal Stud Fastener Kit
ACC309: Video Conference Shelf

All dimensions = inch (mm)



Architect Specifications

The Smartmount® Universal Tilt Wall Mount shall be a Peerless-AV model ST650(-AB/AW)(P) and shall be located where indicated on the plans. Assembly and installation shall be done according to instructions provided by the manufacturer.

Visit peerless-av.com to see the complete line of AV solutions from Peerless-AV, including outdoor displays, wireless, kiosks, digital audio, display mounts, projector mounts, carts/stands, and a full assortment of accessories.

Peerless-AV
2300 White Oak Circle
Aurora, IL 60502 USA
(800) 865-2112
(630) 375-5100
Fax: (800) 359-6500

Peerless-AV Europe
Unit 3 Watford Interchange
Colonial Way, Watford
Herts, WD24 4WP
United Kingdom
+44 (0) 1923 200100
Fax: +44 (0) 1923 200101

Peerless-AV de México
Ave de las Industrias 413
Parque Industrial Escobedo
Escobedo, N.L.,
Mexico 66050
+52 (81) 8384-8300
Fax: +52 (81) 8384-8360

peerless-AV®